

Tube Grip Sign Holders

[]

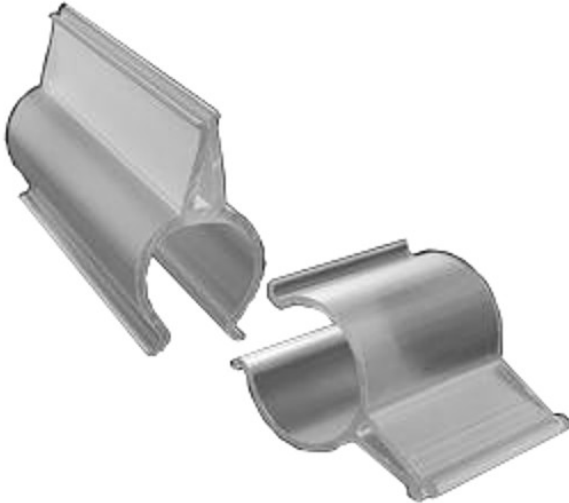
Your Price:
\$52.95

Size:

Small

Large +\$6.50

Prices and specifications are subject to change. Click the link to view the latest information: [Tube Grip Sign Holders](#)



Tube grip sign holders snap easily onto tubes such as bicycle and lawn mower handles. Two sizes of sign holders grip tubes from to 3/4" to 1" in diameter and hold sign stock up to 0.125" thick.

Features

- Tube grip sign holders are 0.585" tall.
- The large size grips tubes 1" in diameter.
- The small size grips tubes 3/4" in diameter.
- Manufactured in clear PVC.
- Holds signs to tube-shaped product or displays.
- Support sign stocks up to 0.125" thick.
- Easily slide signs horizontally for positioning.
- Easily rotate signs vertically for positioning.
- Sold in packages of 100.