



# SYSTEM THREE PRO-1 PARTS LIST

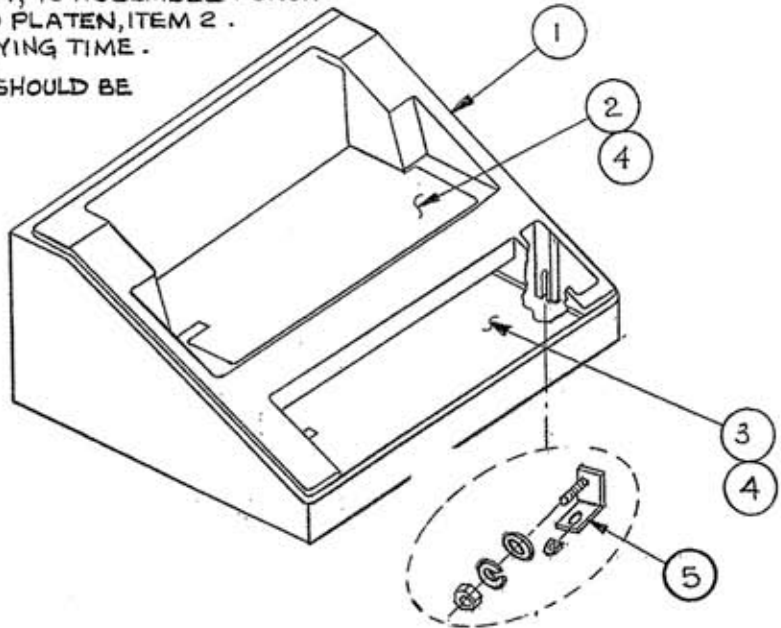
GBC IS AN ACCO BRANDS COMPANY



# TOP HOUSING ASSY.

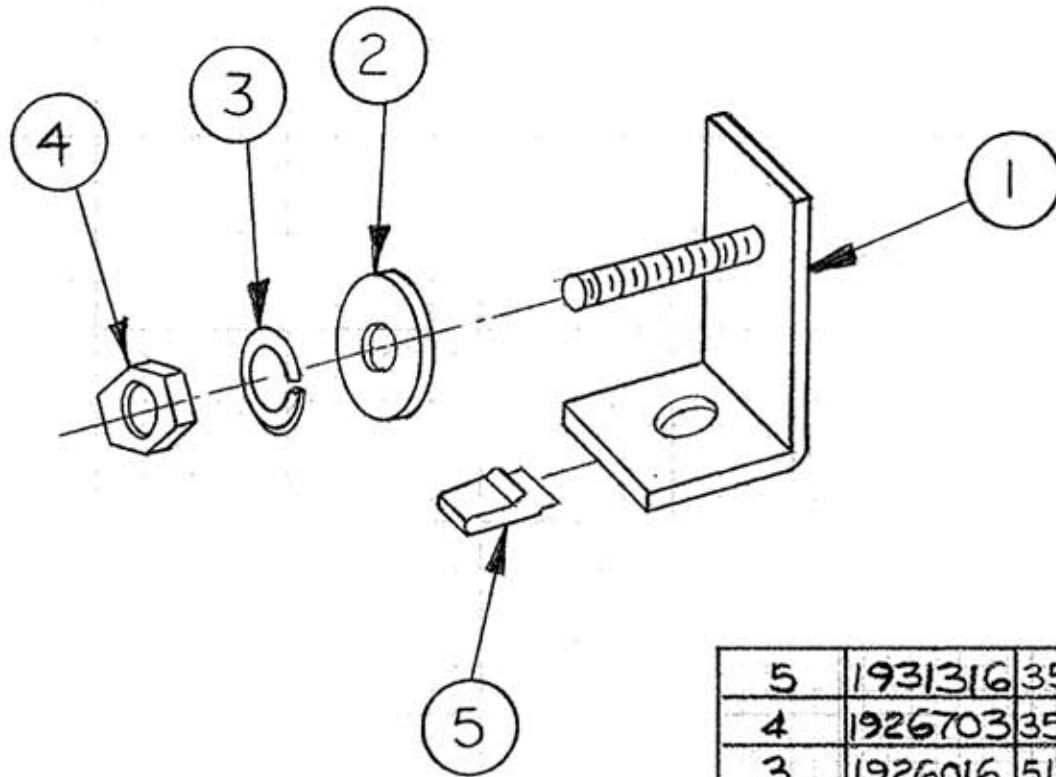
**NOTES:**

1. USE RTV SEALANT, ITEM 4, TO ASSEMBLE PUNCH PLATEN, ITEM 3 AND BIND PLATEN, ITEM 2. ALLOW 24 HOURS OF DRYING TIME.
2. PUNCH & BIND PLATENS SHOULD BE FREE OF SEALANT.



|         |        |                         |      |         |              |              |              |              |                 |              |
|---------|--------|-------------------------|------|---------|--------------|--------------|--------------|--------------|-----------------|--------------|
|         | 5      | BRACKET ASSY- HOUSING   | 4    | 9776719 |              |              |              |              |                 |              |
|         | 4      | RTV SEALANT TRANSLUCENT | A/R  | 1961004 |              |              |              |              |                 |              |
| (C) (B) | 3      | PUNCH PLATEN SYS 3 PRO  | 1    |         | 9781818      | 9781787      | 9781787      | 7705009      | 7705019 7705019 |              |
| (C) (B) | 2      | BIND PLATEN             | 1    |         | 9781786      | 9781786      | 9781786      | 7705008      | 7705008 7705008 |              |
| (C) (B) | 1      | UPPER HOUSING           | 1    |         | 9781790      | 9781790      | 9784057      | 7705007      | 7705007 7705022 |              |
| (C)     | ITEM # | PART DESCRIPTION        | QTY. | COMMON  | 9781834      | 9781813      | 9784058      | 7705023      | 7705024         | 7705025      |
|         |        |                         |      |         | HOUSING ASSY | HOUSING ASSY | HOUSING ASSY | HOUSING ASSY | HOUSING ASSY    | HOUSING ASSY |
|         |        |                         |      |         | SYS3PRO SB   | SYS3PRO VB   | SYS 3-PRO    | SYS3PRO SB   | SYS3PRO VB      | SYS 3-PRO    |
|         |        |                         |      |         |              |              | VB-WRAP      | GRAY         | GRAY            | VB-WRAP      |

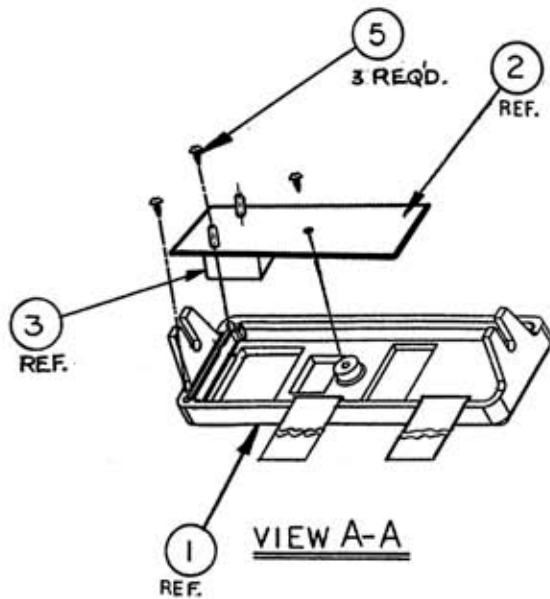
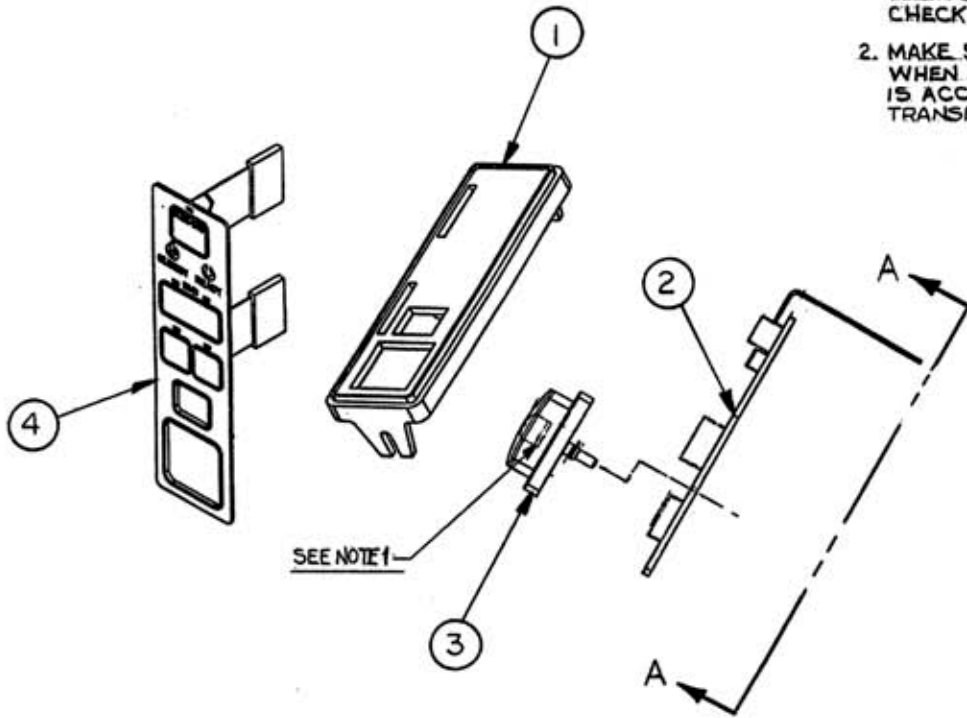
# BRACKET ASSY. HOUSING



|          |         |            |                               |      |      |
|----------|---------|------------|-------------------------------|------|------|
| 5        | 1931316 | 3502719    | #10 TINNERMAN NUT             | 1    |      |
| 4        | 1926703 | 3501025-01 | #10 HEX NUT                   | 1    |      |
| 3        | 1926016 | 5100067-01 | #10 LOCKWASHER                | 1    |      |
| 2        | 1925023 | 5100302-01 | #10 FLAT WASHER               | 1    |      |
| 1        | 9776720 | 1206163    | HOUSING MOUNTING BRK<br>Assy. | 1    |      |
| ITEM NO. | GBC #   | VB #       | DESCRIPTION                   | QTY. | ZONE |

NOTES :

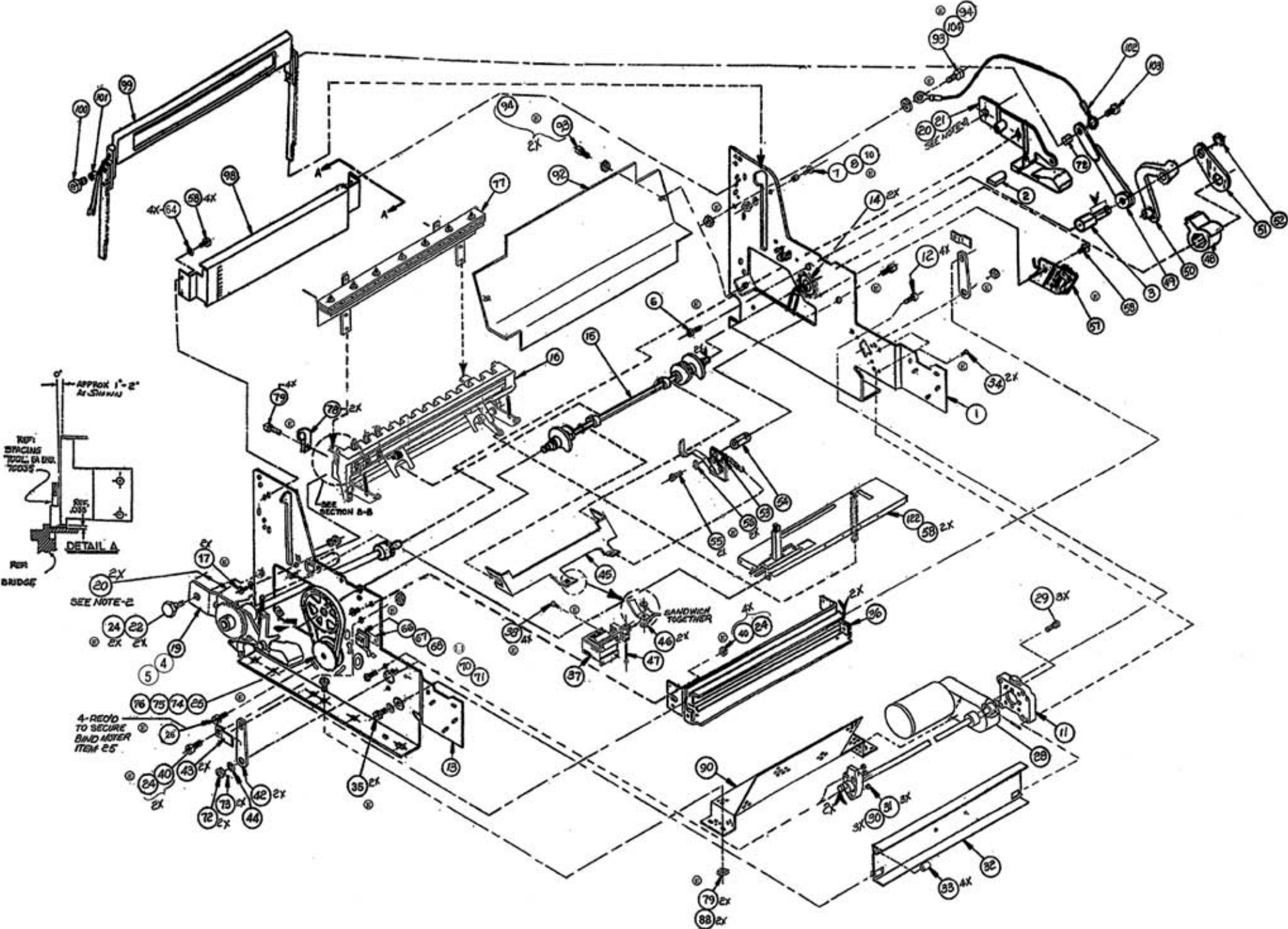
1. CUT ABOUT  $\frac{1}{8}$ " OF THE INSIDE MIDDLE ACTUATOR PIN ON RUBBER BOTTOM, ITEM 3. THIS WILL ALLOW PROPER ACTUATION OF THE SWITCH UPON ASSEMBLY. CHECK THE SWITCH ACTUATION UPON COMPLETE ASSEMBLY.
2. MAKE SURE LED SWITCH ASSY., ITEM 2, SITS FLUSH TO PANEL SWITCH, ITEM 1 WHEN ASSEMBLED. CAREFULLY BENDING TWO TRANSISTORS ON SWITCH ASSY. IS ACCEPTABLE FOR THIS PURPOSE. MAKE SURE THAT THREE LEGS OF EACH TRANSISTOR ARE NOT BROKEN AND THAT THEY DON'T TOUCH EACH OTHER.



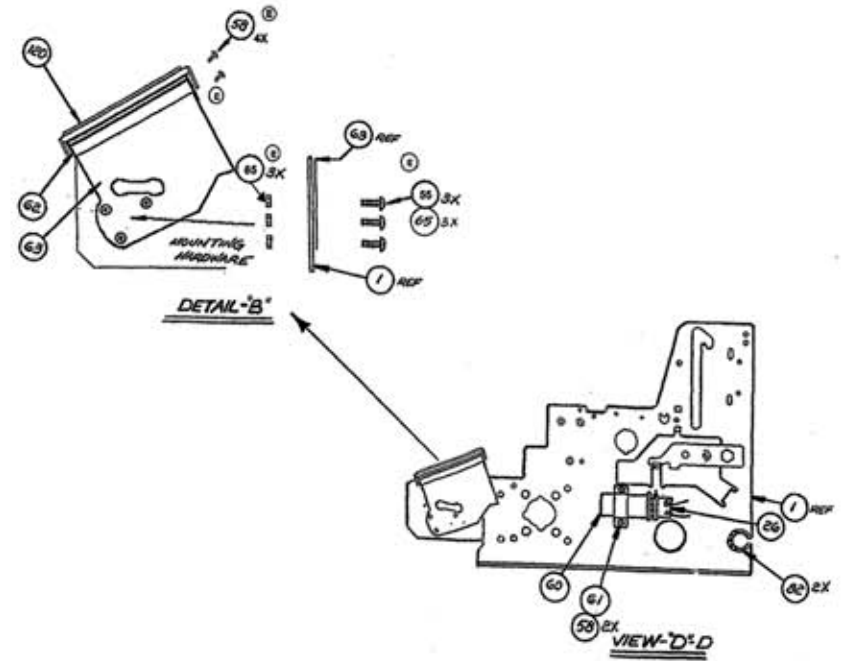
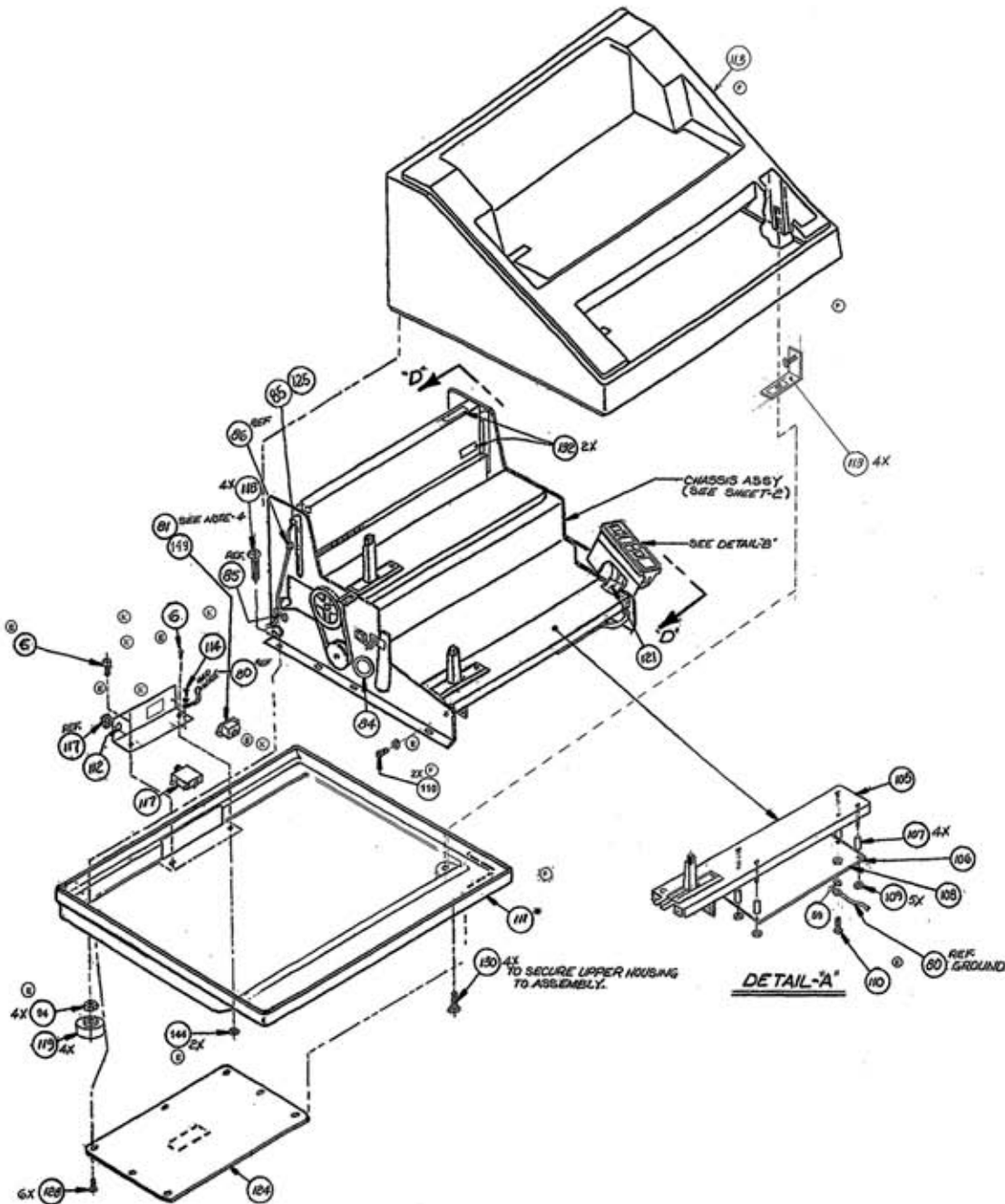
|               |                              |               |             |             |
|---------------|------------------------------|---------------|-------------|-------------|
| 6             |                              |               |             |             |
| 5             | SCREW PH PAN 4-14X1/4 PLASK1 | 1908602       | 3           |             |
| 4             | SWITCH MEMBRANE              | 7705016       | 1           |             |
| 3             | BUTTON RUBBER                | 7705015       | 1           |             |
| 2             | LED SWITCH ASSY              | 9784009       | 1           |             |
| 1             | PANEL SWITCH                 | 7705014       | 1           |             |
| <b>ITEM #</b> | <b>PART DESCRIPTION</b>      | <b>PART #</b> | <b>QTY.</b> | <b>ZONE</b> |

**PANEL SWITCH ASSY.SYS 3 PRO-GRAY**

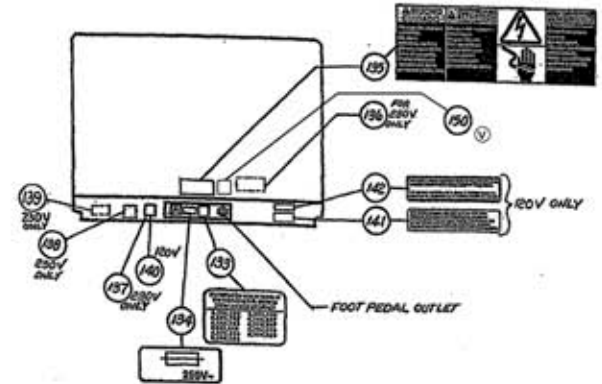
# SYSTEM 3 PRO - 1 FINAL ASSY

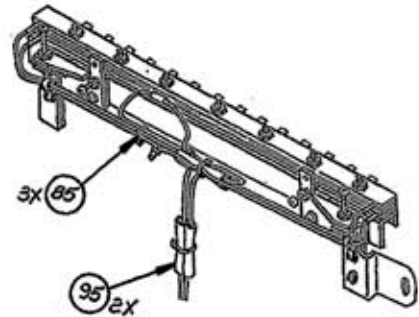
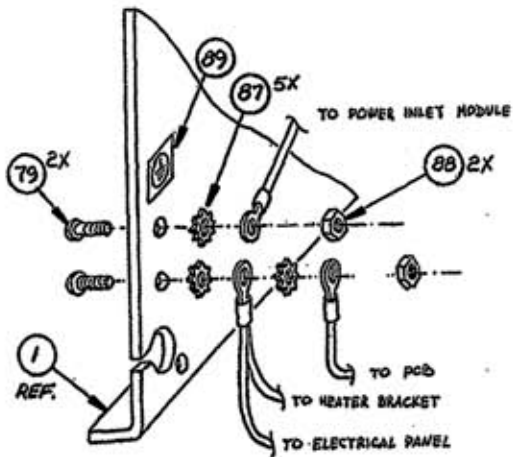
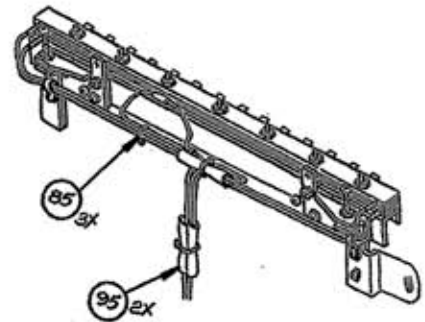
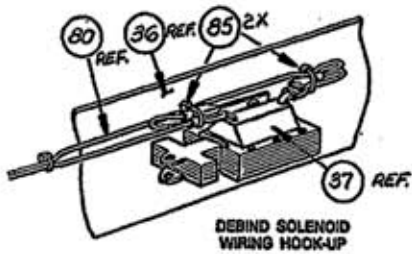
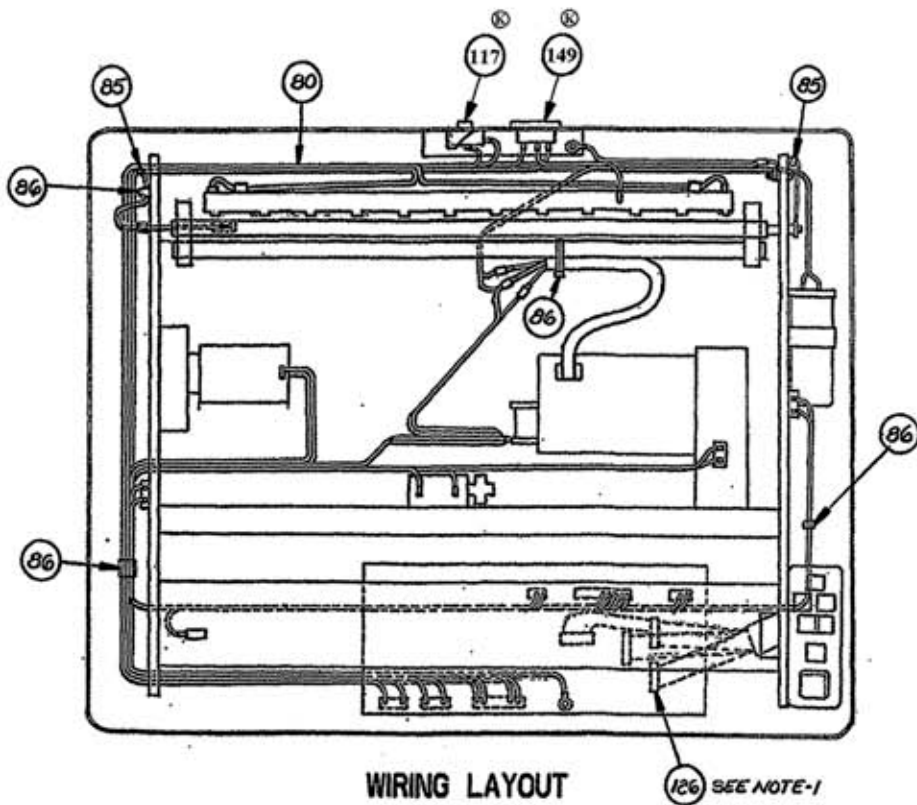


# SYSTEM THREE PRO- 1 FINAL ASSY



## REAR OF MACHINE







|     |          |  |      |         |                                  |                                  |                                 |                                  |                                  |  |
|-----|----------|--|------|---------|----------------------------------|----------------------------------|---------------------------------|----------------------------------|----------------------------------|--|
|     | 71       | NUT PLATE SWITCH # 2 - 56              | 1    | 9778618 |                                  |                                  |                                 |                                  |                                  |  |
| (L) | 70       | INSULATOR SUBMINIATURE SWITCH          | 1    | 9783651 |                                  |                                  |                                 |                                  |                                  |  |
| (L) | 69       |  |      |         |                                  |                                  |                                 |                                  |                                  |  |
| (L) | 68       | SCR. PH PAN HD W/ STAR WSHR 2-56 X 1/2 | 2    | 1911135 |                                  |                                  |                                 |                                  |                                  |  |
|     | 67       | ACTUATOR BIND SWITCH                   | 1    | 9776353 |                                  |                                  |                                 |                                  |                                  |  |
|     | 66       | SWITCH SNAP ACTION                     | 1    | 9779311 |                                  |                                  |                                 |                                  |                                  |  |
| (E) | 65       | NUT HEX 6-32 KEPS                      | 3    | 1926801 |                                  |                                  |                                 |                                  |                                  |  |
| (E) | 64       |  |      |         |                                  |                                  |                                 |                                  |                                  |  |
|     | 63       | SUPPORT SWITCH ADJUST RH               | 1    | 9776709 |                                  |                                  |                                 |                                  |                                  |  |
|     | 62       | BRACKET MOUNTING UPROC                 | 1    | 9781013 |                                  |                                  |                                 |                                  |                                  |  |
| (J) | 61       | BRACKET MOUNTING                       | 1    |         |                                  |                                  | 6205041                         | 6205041                          | 6205041                          |  |
| (J) | 60       | CAPACITOR MOTOR                        | 1    |         | 6205038                          | 6205038                          | 6205016                         | 6205016                          | 6205016                          |  |
| (E) | 59       | LOCKWASHER, EXTERNAL TOOTH # 6         | 1    | 1925904 |                                  |                                  |                                 |                                  |                                  |  |
| (J) | 58       | SCREW THD CUT PH HD 6-32 X 3/8 SEMS    |      | 1911503 | QTY = 13                         | QTY = 13                         | QTY = 14                        | QTY = 14                         | QTY = 14                         |  |
|     | 57       | SWITCH ASSY, BIND TIMING (DRV. ARM)    | 1    | 9783617 |                                  |                                  |                                 |                                  |                                  |  |
| (E) | 56       | WASHER FLAT # 6                        | 6    | 1925119 |                                  |                                  |                                 |                                  |                                  |  |
| (E) | 55       | SCREW PAN HD SEMS 6-32 X 1/2           | 5    | 1911121 |                                  |                                  |                                 |                                  |                                  |  |
| (J) | 54       | SPACER .63 OD                          | 1    |         | 9781756                          | 9776478                          | 9776478                         | 9781756                          | 9776478                          |  |
|     | 53       | SWITCH ASSY, CAM SOLENOID              | 1    | 9783618 |                                  |                                  |                                 |                                  |                                  |  |
|     | 52       | RETAINING RING                         | 1    | 1930510 |                                  |                                  |                                 |                                  |                                  |  |
|     | 51       | LINK - BIND DRIVE                      | 1    | 9778467 |                                  |                                  |                                 |                                  |                                  |  |
|     | 50       | DRIVE ARM ASSY, PRESSURE BAR           | 1    | 9776996 |                                  |                                  |                                 |                                  |                                  |  |
|     | 49       | LINKAGE ASSY, PRESSURE BAR             | 1    | 9776997 |                                  |                                  |                                 |                                  |                                  |  |
|     | 48       | GEAR DRIVER                            | 1    | 9778116 |                                  |                                  |                                 |                                  |                                  |  |
|     | 47       | PIN COTTER 1/8 X 1/2                   | 1    | 1930204 |                                  |                                  |                                 |                                  |                                  |  |
|     | 46       | WASHER .50 OD X .26 ID                 | 2    | 1925206 |                                  |                                  |                                 |                                  |                                  |  |
|     | 45       | ACTUATOR SWITCH FIXED                  | 1    | 9779891 |                                  |                                  |                                 |                                  |                                  |  |
|     | 44       | RING RETAINER                          | 2    | 1932513 |                                  |                                  |                                 |                                  |                                  |  |
|     | 43       | BRACKET PUNCH LINK RETAINER            | 2    | 9776726 |                                  |                                  |                                 |                                  |                                  |  |
|     | 42       | LINK ASSY PUNCH DRIVE                  | 2    | 9778461 |                                  |                                  |                                 |                                  |                                  |  |
|     | 41       | GREASE LUBRICATING                     | A/R  | 1961503 |                                  |                                  |                                 |                                  |                                  |  |
| (E) | 40       | SCREW PHL PAN HD 1/4-20 X 5/8          | 6    | 1902801 |                                  |                                  |                                 |                                  |                                  |  |
| (E) | 39       |  |      |         |                                  |                                  |                                 |                                  |                                  |  |
| (E) | 38       | SCREW PHL PAN HD SEMS 6-32 X 1/4       | 4    | 1911109 |                                  |                                  |                                 |                                  |                                  |  |
| (J) | 37       | SOLENOID                               | 1    |         | 9780114                          | 9780114                          | 9780113                         | 9780113                          | 9780113                          |  |
|     | 36       | PUNCH HOUSING ASSY SYS 3 PRO           | 1    |         | 9781814                          | 9781029                          | 9781029                         | 9781814                          | 9781029                          |  |
| (E) | 35       | SCREW PHL PAN HD SEMS 8-32 X 3/4       | 2    | 1911124 |                                  |                                  |                                 |                                  |                                  |  |
| (E) | 34       | SCREW PHL PAN HD SEMS 8-32 X 1-1/4     | 2    | 1911114 |                                  |                                  |                                 |                                  |                                  |  |
|     | 33       | NUT ROUND SLOTTED                      | 4    | 9776927 |                                  |                                  |                                 |                                  |                                  |  |
|     | 32       | SUPPORT 3.25                           | 1    | 9776935 |                                  |                                  |                                 |                                  |                                  |  |
|     | 31       | LOCKNUT ELASTIC 10-24                  | 3    | 1927409 |                                  |                                  |                                 |                                  |                                  |  |
|     | 30       | SCREW PH FLAT HD 10-24 X 3/4           | 3    | 1902637 |                                  |                                  |                                 |                                  |                                  |  |
|     | 29       | SCREW HEX SOC HD CAP 5/16-18 X 3/4     | 3    | 1964506 |                                  |                                  |                                 |                                  |                                  |  |
| (J) | 28       | MOTOR PUNCH ASSY, SYS 3 PRO            | 1    |         | 9778569                          | 9778568                          | 9778567                         | 9778567                          | 9778567                          |  |
| (E) | 27       |  |      |         |                                  |                                  |                                 |                                  |                                  |  |
| (E) | 26       | SCREW SEMS 8-32 X 7/8                  | 4    | 1911125 |                                  |                                  |                                 |                                  |                                  |  |
|     | 25       | GEARMOTOR ASSEMBLY, BINDING            | 1    | 9783619 |                                  |                                  |                                 |                                  |                                  |  |
| (E) | 24       | NUT HEX 1/4-20 KEPS                    | 8    | 1926805 |                                  |                                  |                                 |                                  |                                  |  |
| (E) | 23       |  |      |         |                                  |                                  |                                 |                                  |                                  |  |
|     | 22       | SCREW SHOULDER HEX 1/4-20 X .138 X .38 | 2    | 9779337 |                                  |                                  |                                 |                                  |                                  |  |
|     | 21       | PIVOT PLATE ASSEMBLY, RH               | 1    | 9778776 |                                  |                                  |                                 |                                  |                                  |  |
|     | 20       | LUBE DRY                               | A/R  | 1961529 |                                  |                                  |                                 |                                  |                                  |  |
|     | 19       | TIMING SHAFT ASSY, COMPLETE            | 1    | 9779241 |                                  |                                  |                                 |                                  |                                  |  |
| (E) | 18       |  |      |         |                                  |                                  |                                 |                                  |                                  |  |
| (E) | 17       | SCREW THD CUT PH PAN HD 8-32 X 3/4     | 2    | 1907806 |                                  |                                  |                                 |                                  |                                  |  |
| (J) | 16       | BRIDGE ASSY, COMPLETE                  | 1    |         | 9781611                          | 9779687                          | 9779687                         | 9781611                          | 9784053                          |  |
| (J) | 15       | CAM SHAFT ASSEMBLY                     | 1    |         | 9783613                          | 9779666                          | 9779666                         | 9783613                          | 9779666                          |  |
|     | 14       | BEARING CAMSHAFT                       | 2    | 9776611 |                                  |                                  |                                 |                                  |                                  |  |
|     | 13       | FRAME SIDE LH                          | 1    | 9778758 |                                  |                                  |                                 |                                  |                                  |  |
|     | 12       | SCREW HEX SOC FLAT 10-24 X 1/2         | 4    | 1964502 |                                  |                                  |                                 |                                  |                                  |  |
|     | 11       | ADAPTOER MOTOR 300                     | 1    | 9776389 |                                  |                                  |                                 |                                  |                                  |  |
| (K) | 10       | NUT HEX 4-40 KEPS                      | 1    | 1926804 |                                  |                                  |                                 |                                  |                                  |  |
| (E) | 9        |  |      |         |                                  |                                  |                                 |                                  |                                  |  |
|     | 8        | SCREW PH PAN HD 4-40 X 1/2             | 1    | 1902821 |                                  |                                  |                                 |                                  |                                  |  |
|     | 7        | ROLLER ARM DRIVE                       | 1    | 9779090 |                                  |                                  |                                 |                                  |                                  |  |
| (E) | 6        | SCREW PH. PAN HD SEMS 10-32 X 5/8      | 3    | 1911107 |                                  |                                  |                                 |                                  |                                  |  |
| (E) | 5        |  |      |         |                                  |                                  |                                 |                                  |                                  |  |
| (E) | 4        |  |      |         |                                  |                                  |                                 |                                  |                                  |  |
|     | 3        | RIVER P/B RETURN TRUNNION              | 1    | 9781811 |                                  |                                  |                                 |                                  |                                  |  |
|     | 2        | CUSHION DRIVE ARM RUBBER               | 1    | 9778639 |                                  |                                  |                                 |                                  |                                  |  |
|     | 1        | FRAME SIDE RH                          | 1    | 9778757 |                                  |                                  |                                 |                                  |                                  |  |
| (J) | ITEM No. | DESCRIPTION                            | QTY. | COMMON  | 9783638<br>SB-BITL, 220V<br>BEGE | 9783639<br>VB-BITL, 220V<br>BEGE | 9783640<br>VB-DOM, 120V<br>BEGE | 9783641<br>SB-BITL, 120V<br>BEGE | 9784059<br>VB-WRAP, 120V<br>BEGE |  |

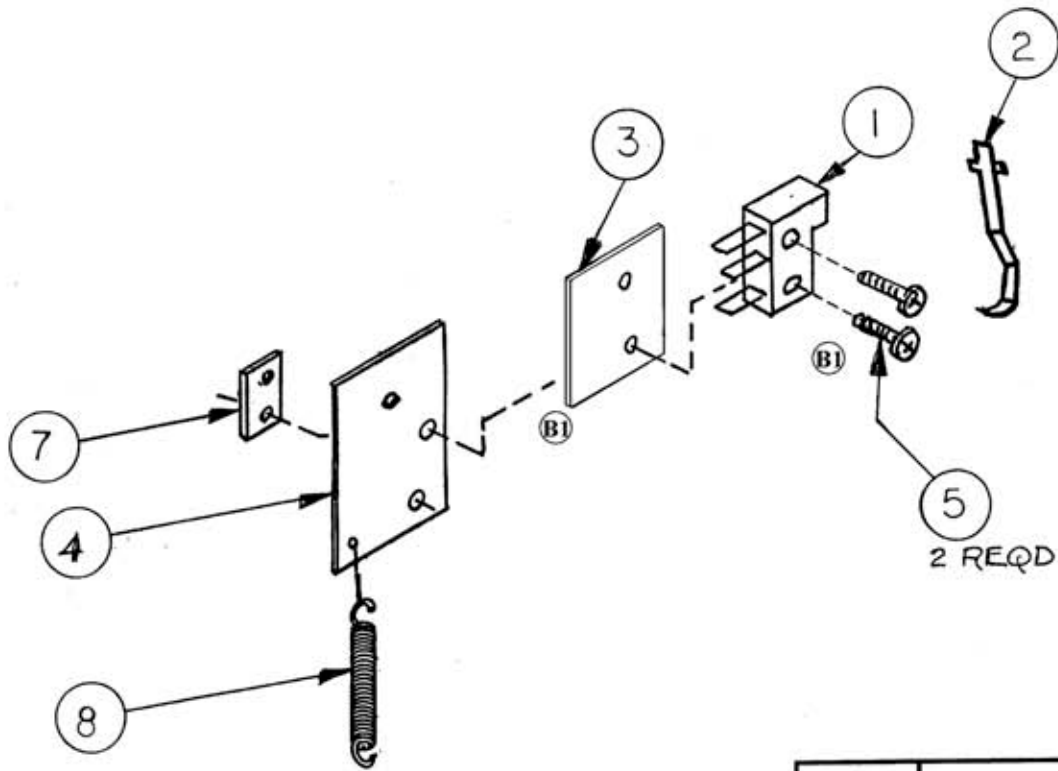
PART NUMBER



|     |          |   |                                       |         |         |                                   |                                   |                                  |                                   |                                   |
|-----|----------|---|---------------------------------------|---------|---------|-----------------------------------|-----------------------------------|----------------------------------|-----------------------------------|-----------------------------------|
| 150 |          |   |                                       |         |         |                                   |                                   |                                  |                                   |                                   |
| (K) | 149      | RECEPTACLE, SNAP - IN WITH FUSEHOLDER   | 1                                     | 6190016 |         |                                   |                                   |                                  |                                   |                                   |
| (J) | 148      | GUIDE SUPPORT RH, PAINTED               | 1                                     |         |         |                                   |                                   |                                  | 9784049                           |                                   |
| (J) | 147      | GUIDE SUPPORT LH, PAINTED               | 1                                     |         |         |                                   |                                   |                                  | 9784047                           |                                   |
| (J) | 146      | UPPER GUIDE PAINTED                     | 1                                     |         |         |                                   |                                   |                                  | 9784045                           |                                   |
| (J) | 145      | LOWER GUIDE PAINTED                     | 1                                     |         |         |                                   |                                   |                                  | 9784043                           |                                   |
| (E) | 144      | NUT HEX 10-32                           | 2                                     | 1926702 |         |                                   |                                   |                                  |                                   |                                   |
| (D) | 143      | STRIP TESTING, VB 1 X 14" BLK           | A/R                                   | 9783661 | -       | -                                 | -                                 | -                                | -                                 |                                   |
| (J) | 142      | CAN. CLA LABEL                          | 1                                     | -       | -       | -                                 | 6009247                           | 6009247                          | 6009247                           |                                   |
| (J) | 141      | LABEL, FCC COMPLIANCE                   | 1                                     | -       | -       | -                                 | 6009106                           | 6009106                          | 6009106                           |                                   |
| (J) | 140      | CSA NRTL/C LABEL                        | 1                                     | -       | -       | -                                 | 6009413                           | 6009413                          | 6009413                           |                                   |
|     | 139      | LABEL CYCLE RATE                        | 1                                     | -       | 6009286 | 6009286                           | -                                 | -                                | -                                 |                                   |
|     | 138      | TUV PRODUCT SRVC. GS LABEL              | 1                                     | -       | 1128417 | 1128417                           | -                                 | -                                | -                                 |                                   |
|     | 137      | LABEL CE MARK .875 IN                   | 1                                     | -       | 6009178 | 6009178                           | -                                 | -                                | -                                 |                                   |
|     | 136      | LABEL ELECTRIC SHOCK (EUR.)             | 1                                     | -       | 6009147 | 6009147                           | -                                 | -                                | -                                 |                                   |
|     | 135      | LABEL ELECTRIC SHOCK (DOM.)             | 1                                     | 6009146 |         |                                   |                                   |                                  |                                   |                                   |
| (J) | 134      | FUSE ALBEL, 250V 5/10 AMP               | 1                                     |         | 1963909 | 1963909                           | 1963908                           | 1963908                          | 1963908                           |                                   |
|     | 133      | PATENT LABEL                            | 1                                     |         | 6009400 | 6009400                           | 6009400                           | 6009400                          |                                   |                                   |
| (J) | 132      | LABEL CAUTION HOT SURFACE               | 2                                     |         | 9781617 | 9781617                           | 9781618                           | 9781618                          | 9781618                           |                                   |
|     | 131      | DECAL EDGE GUIDE PUNCH                  | 1                                     | 9781489 |         |                                   |                                   |                                  |                                   |                                   |
|     | 130      | SCR. PH PAN HD 10-16 X 1.00 SHEET METAL | 4                                     | 1905018 |         |                                   |                                   |                                  |                                   |                                   |
| (F) | 129      |   |                                       |         |         |                                   |                                   |                                  |                                   |                                   |
|     | 128      | SCREW PHL PAN HEAD 8-18 X 1/2           | 6                                     | 1907832 |         |                                   |                                   |                                  |                                   |                                   |
|     | 127      | COVER PROTECTIVE BOTTOM                 | 1                                     | 9776859 |         |                                   |                                   |                                  |                                   |                                   |
|     | 126      | RTV SEALANT TRANSLUCENT                 | A/R                                   | 1961004 |         |                                   |                                   |                                  |                                   |                                   |
|     | 125      | LOCTITE                                 | A/R                                   | 1960512 |         |                                   |                                   |                                  |                                   |                                   |
| (M) | (J)      | 124                                     | OVERSIZE BLK EQUIPMENT TESTING        | A/R     |         | 1132850                           | 9741170                           | 9741170                          | 1132850                           | 9741170                           |
| (M) | (J)      | 123                                     | 1 X 11 BLK. EQUIP. TESTING            | A/R     |         | 1132830                           | 9741010                           | 9741010                          | 1132830                           | 9741010                           |
|     |          | 122                                     | EDGE GUIDE ASSY, BINDING              | 1       |         | 9778401                           | 9778401                           | 9778401                          | 9778401                           |                                   |
|     |          | 121                                     | SLEEVING 1" DIA.                      | 1       | 1954419 |                                   |                                   |                                  |                                   |                                   |
| (B) |          | 120                                     | PANEL SWITCH ASSY, SYS 3 PRO - 1      | 1       |         | 9783636                           | 9783636                           | 9783636                          | 9783636                           |                                   |
|     |          | 119                                     | FOOT RUBBER                           | 4       | 1954507 |                                   |                                   |                                  |                                   |                                   |
| (E) |          | 118                                     | SCREW PH PAN HEAD 10-32 X 1-1/8       | 4       | 1902944 |                                   |                                   |                                  |                                   |                                   |
| (E) |          | 117                                     | FOOT PEDAL SWITCH                     | 1       | 6202046 |                                   |                                   |                                  |                                   |                                   |
|     |          | 116                                     | WASHER FLAT .125 ID                   | 2       | 1925012 |                                   |                                   |                                  |                                   |                                   |
|     |          | 115                                     |                                       |         |         |                                   |                                   |                                  |                                   |                                   |
| (K) |          | 114                                     | SCREW THD CUT PH PAN HEAD 10-32 X 1/4 | 1       | 1908504 |                                   |                                   |                                  |                                   |                                   |
| (J) | (F)      | 113                                     | TOP HOUSING ASSEMBLY                  | 1       |         | 9781834                           | 9781813                           | 9781813                          | 9781834                           | 9784058                           |
| (K) |          | 112                                     | BRACKET, POWER CORD                   | 1       | 9784044 |                                   |                                   |                                  |                                   |                                   |
| (F) |          | 111                                     | LOWER HOUSING                         | 1       |         | 9781789                           | 9781789                           | 9781789                          | 9781789                           |                                   |
| (E) |          | 110                                     | SCREW PH PAN HEAD 6-32 X 3/8 SEMS     | 4       | 1911116 |                                   |                                   |                                  |                                   |                                   |
|     |          | 109                                     | NUT PLASTIC 6-32                      | 5       | 1927802 |                                   |                                   |                                  |                                   |                                   |
|     |          | 108                                     | INSULATOR PCB                         | 1       | 9781187 |                                   |                                   |                                  |                                   |                                   |
|     |          | 107                                     | SPACER PCB                            | 4       | 1925304 |                                   |                                   |                                  |                                   |                                   |
|     |          | 106                                     | PC BOARD ASSY, SYS 3 PRO - 1          | 1       | 9783650 |                                   |                                   |                                  |                                   |                                   |
|     |          | 105                                     | EDGE GUIDE ASSY, PUNCHING             | 1       |         | 9783635                           | 9783635                           | 9783635                          | 9783635                           |                                   |
| (E) |          | 104                                     | LOCKWASHER INT. TOOTH # 10            | 1       | 1925803 |                                   |                                   |                                  |                                   |                                   |
|     |          | 103                                     | SCREW HEX SOC SHLDR 10-24 X 5/8       | 1       | 1900833 |                                   |                                   |                                  |                                   |                                   |
|     |          | 102                                     | L & T ASSY, GROUND PRESSURE BAR       | 1       | 9783606 |                                   |                                   |                                  |                                   |                                   |
|     |          | 101                                     | BUSHING PRESSURE BAR                  | 2       | 9776620 |                                   |                                   |                                  |                                   |                                   |
|     |          | 100                                     | SCREW HEX SHOULDER 10-24 X 1/4 3/8    | 1       | 1900806 |                                   |                                   |                                  |                                   |                                   |
| (E) |          | 99                                      | PRESSURE BAR ASSY, SYS 3 PRO          | 1       |         | 9781323                           | 9781323                           | 9781323                          | 9781323                           |                                   |
| (J) | (D)      | 98                                      | BACK STOP PAINTED                     | 1       |         | 9781598                           | 9781326                           | 9781326                          | 9781598                           | NONE                              |
|     |          | 97                                      | COMPOUND HEATSINK                     | A/R     | 1954801 |                                   |                                   |                                  |                                   |                                   |
|     |          | 96                                      | THERMISTOR ASSY, SYS 3 PRO            | 1       | 9781354 |                                   |                                   |                                  |                                   |                                   |
|     |          | 95                                      | SLEEVE INS HIGH TEMP. 3/8" OD         | 2       | 1954423 |                                   |                                   |                                  |                                   |                                   |
| (E) |          | 94                                      | NUT HEX 10-32 KEPS                    | 7       | 1926803 |                                   |                                   |                                  |                                   |                                   |
| (E) |          | 93                                      | SCREW PH PAN HEAD 10-32 X 1/2 SEMS    | 3       | 1911103 |                                   |                                   |                                  |                                   |                                   |
|     |          | 92                                      | DEFLECTOR PIN MPROC                   | 1       | 9781007 |                                   |                                   |                                  |                                   |                                   |
|     |          | 91                                      | TAPE                                  | 3"      |         |                                   |                                   |                                  |                                   |                                   |
| (G) |          | 90                                      | SAFETY GUARD SYS 3 PRO - 1            | 1       | 9783686 |                                   |                                   |                                  |                                   |                                   |
|     |          | 89                                      | LABEL - GROUND SYMBOL                 | 1       | 1128416 |                                   |                                   |                                  |                                   |                                   |
| (J) | (E)      | 88                                      | NUT HEX 8-32 KEPS                     | 6       | 1926802 |                                   |                                   |                                  |                                   | QTY = 12                          |
| (K) | (E)      | 87                                      | LOCKWASHER EXT. TOOTH # 8             | 2       | 1925903 |                                   |                                   |                                  |                                   |                                   |
|     |          | 86                                      | TIE WRAP                              | 4       | 1931023 |                                   |                                   |                                  |                                   |                                   |
|     |          | 85                                      | TIE WRAP                              | 9       | 1932121 |                                   |                                   |                                  |                                   |                                   |
|     |          | 84                                      | BUSHING SNAP .875                     | 1       | 1953203 |                                   |                                   |                                  |                                   |                                   |
| (K) | (J)      | 83                                      |                                       | 1       |         |                                   |                                   |                                  |                                   |                                   |
|     |          | 82                                      | GROMSTRIP                             | 1       | 1931251 |                                   |                                   |                                  |                                   |                                   |
|     |          | 81                                      | FUSE 5 X 20 mm                        | 1       |         | 1970110                           | 1970110                           | 1970109                          | 1970109                           | 1970109                           |
| (K) |          | 80                                      | WIRE HARNESS SYS 3 PRO - 1 MAIN       | 1       | 9784046 |                                   |                                   |                                  |                                   |                                   |
| (J) | (E)      | 79                                      | SCREW PH PAN HEAD 8-32 X 1/2 SEMS     | 10      | 1911111 |                                   |                                   |                                  |                                   | QTY = 16                          |
|     |          | 78                                      | CABLE CLAMP 5/16 DIA                  | 2       | 1931013 |                                   |                                   |                                  |                                   |                                   |
| (J) |          | 77                                      | KNIFE ASSEMBLY                        | 1       |         | 9781613                           | 9782061                           | 9782060                          | 9781614                           | 9784056                           |
|     |          | 76                                      | RETAINING RING E .500 SHAFT           | 1       | 1930522 |                                   |                                   |                                  |                                   |                                   |
|     |          | 75                                      | BELT POSITIVE DRIVE                   | 1       | 9776613 |                                   |                                   |                                  |                                   |                                   |
|     |          | 74                                      | PULLEY DRIVE                          | 1       | 9778705 |                                   |                                   |                                  |                                   |                                   |
|     |          | 73                                      | SCREW HEX SOC SET 8/32 X 1/8          | 1       | 1900019 |                                   |                                   |                                  |                                   |                                   |
|     |          | 72                                      | CAM SWITCH ACTUATOR                   | 1       | 9781677 |                                   |                                   |                                  |                                   |                                   |
| (J) | ITEM No. | DESCRIPTION                             | QTY.                                  | COMMON  |         | 9783638<br>88-NITL, 230V<br>BEIGE | 9783639<br>98-NITL, 230V<br>BEIGE | 9783640<br>98-DOM, 120V<br>BEIGE | 9783641<br>88-NITL, 120V<br>BEIGE | 9784059<br>98-NRAP, 120V<br>BEIGE |

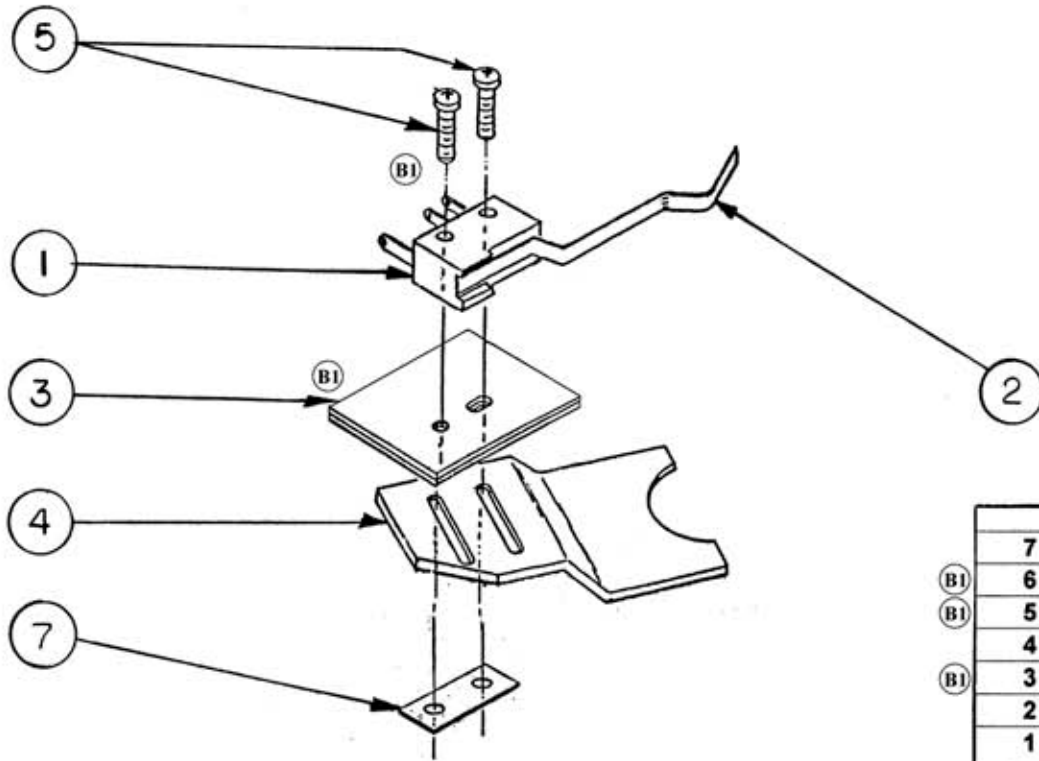
PART NUMBER

# SWITCH ASSY. S22- CAM/SOLENOID



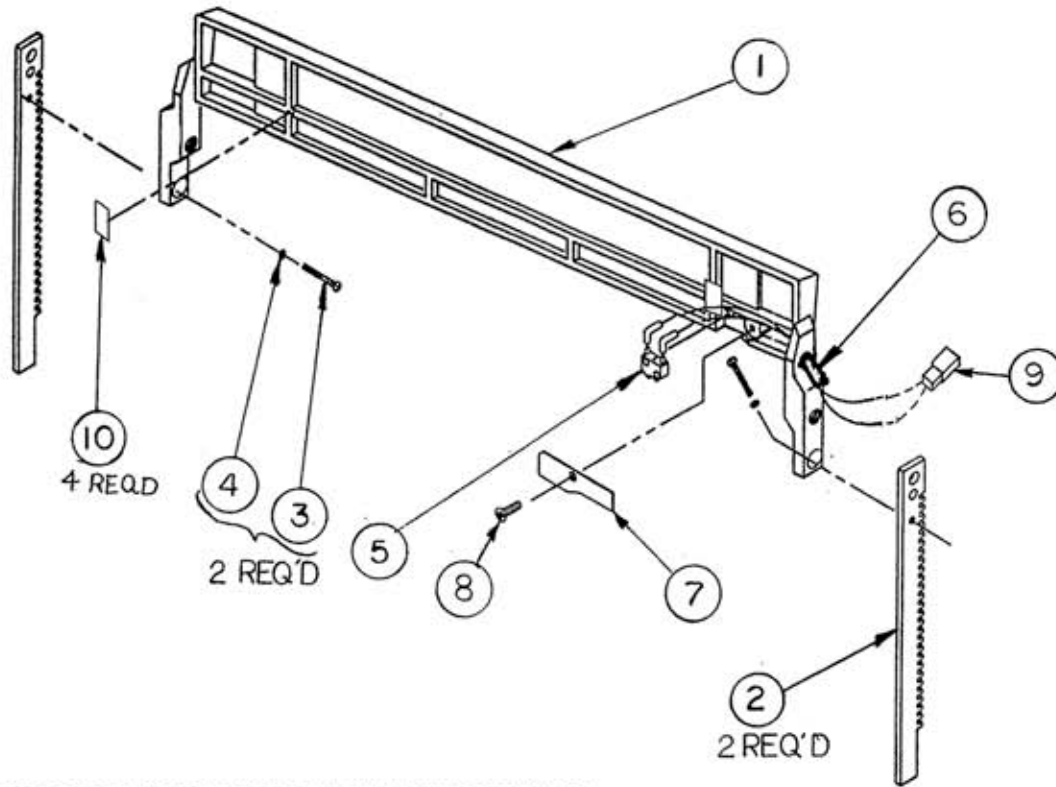
|      |               |                                      |               |             |             |
|------|---------------|--------------------------------------|---------------|-------------|-------------|
|      | 8             | SPRING EXTENTION 3/8 X 2.25          | 9776605       | 1           |             |
|      | 7             | NUT PLATE SWITCH #2-56               | 9778618       | 1           |             |
| (B1) | 6             |                                      |               |             |             |
| (B1) | 5             | SCR. PH PAN HD W/STAR WSHR. 2-56X1/2 | 1911135       | 2           |             |
|      | 4             | BRACKET ADJUSTING SOLENOID           | 9780061       | 1           |             |
| (B1) | 3             | INSULATOR SWITCH, SUBMINIATURE       | 9783651       | 1           |             |
|      | 2             | ACTUATOR PUNCH SWITCH 300            | 9776354       | 1           |             |
|      | 1             | SWITCH SNAP ACTION                   | 9779311       | 1           |             |
|      | <b>ITEM #</b> | <b>PART DESCRIPTION</b>              | <b>PART #</b> | <b>QTY.</b> | <b>ZONE</b> |

## SWITCH ASSY. S13- BIND TIMING (DRIVE ARM)



|      |               |                                      |               |             |             |
|------|---------------|--------------------------------------|---------------|-------------|-------------|
|      | 7             | NUT PLATE SWITCH #2-56               | 9778618       | 1           |             |
| (BI) | 6             |                                      |               |             |             |
| (BI) | 5             | SCR. PH PAN HD W/STAR WSHR. 2-56X1/2 | 1911135       | 2           |             |
|      | 4             | BRACKET ADJUSTING                    | 9776958       | 1           |             |
| (BI) | 3             | INSULATOR SUBMINIATURE SWITCH        | 9783651       | 1           |             |
|      | 2             | ACTUATOR PUNCH SWITCH 300            | 9776354       | 1           |             |
|      | 1             | SWITCH SNAP ACTION                   | 9779311       | 1           |             |
|      | <b>ITEM #</b> | <b>PART DESCRIPTION</b>              | <b>PART #</b> | <b>QTY.</b> | <b>ZONE</b> |

# PRESSURE BAR ASSY.SYS 3 PRO & SYS 4 - GRAY

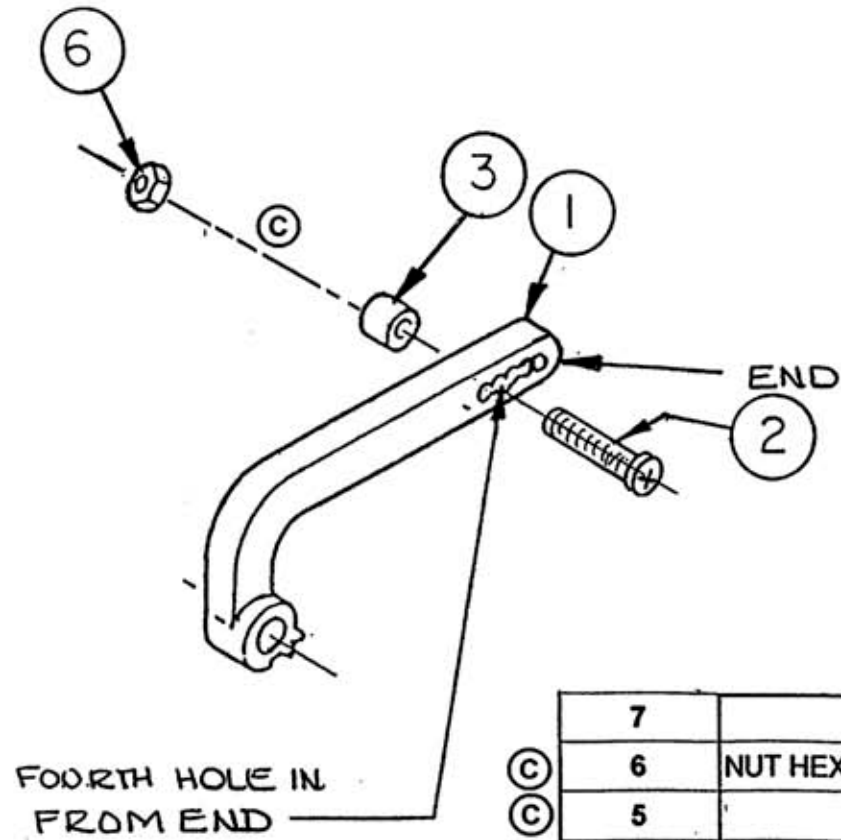


**NOTE**

1. ITEM 10 IS PART OF THE LABEL KITS FOR THE SYSTEM 3 PRO & SYSTEM 4 VELOBIND & SUREBIND MACHINES PART NUMBERS 7705129, 7705130, 7705131 & 7705132

|                 |   |                 |                 |
|-----------------|---|-----------------|-----------------|
| 10              | PAD SPACER                                | 2               | 9781469         |
| 9               | CONN PLUG 2 PIN MOLEX .062                | 1               | 1951308         |
| 8               | SCR THD CUT PH FL HD 2-56 X 3/16          | 1               | 1907615         |
| 7               | BRACKET SWITCH                            | 1               | 9776734         |
| 6               | SHRINK TUBING .125X.020                   | 0.0833          | 1954340         |
| 5               | SWITCH ASSY PRESSURE BAR, SYS 3 PRO/SYS 4 | 1               | 9783663         |
| 4               | WASHER MEDIUM SPLIT LOCK #10              | 2               | 1926016         |
| 3               | SCREW PH PAN HD 10-24X1/2                 | 2               | 1902873         |
| 2               | RACK PRESSURE BAR                         | 2               | 9779044         |
| 1               | PRESSURE BAR SYS 4                        | 1               | 7705067         |
| <b>Item No.</b> | <b>PART DESCRIPTION</b>                   | <b>QUANTITY</b> | <b>PART NO.</b> |

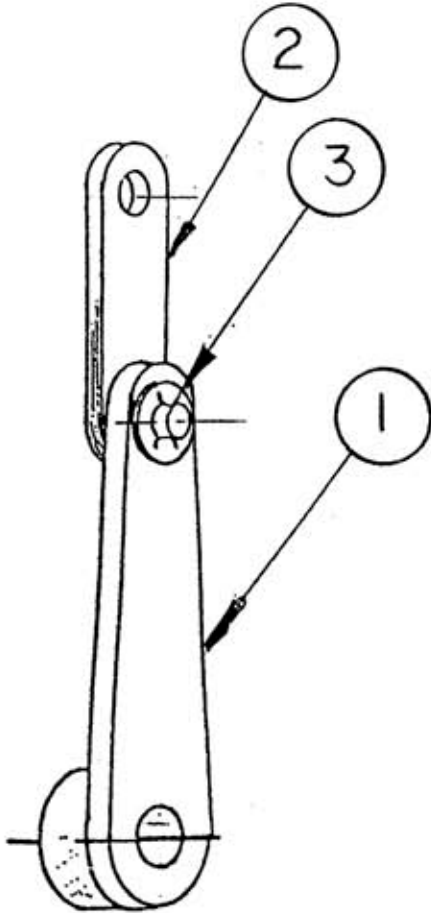
# DRIVE ARM ASSY. PRESSURE BAR



FOURTH HOLE IN  
FROM END

|                 |                            |                 |                 |
|-----------------|----------------------------|-----------------|-----------------|
| 7               |                            |                 |                 |
| (C) 6           | NUT HEX 4-40 KEPS          | 1               | 1926804         |
| (C) 5           |                            |                 |                 |
| (C) 4           |                            |                 |                 |
| 3               | ROLLER ARM DRIVE           | 1               | 9779090         |
| (B) 2           | SCREW PH PAN HD 4-40X 5/8" | 1               | 1902834         |
| 1               | ARM DRIVE                  | 1               | 9776394         |
| <u>Item No.</u> | <u>PART DESCRIPTION</u>    | <u>QUANTITY</u> | <u>PART NO.</u> |

## PRESSURE BAR LINKAGE ASSEMBLY

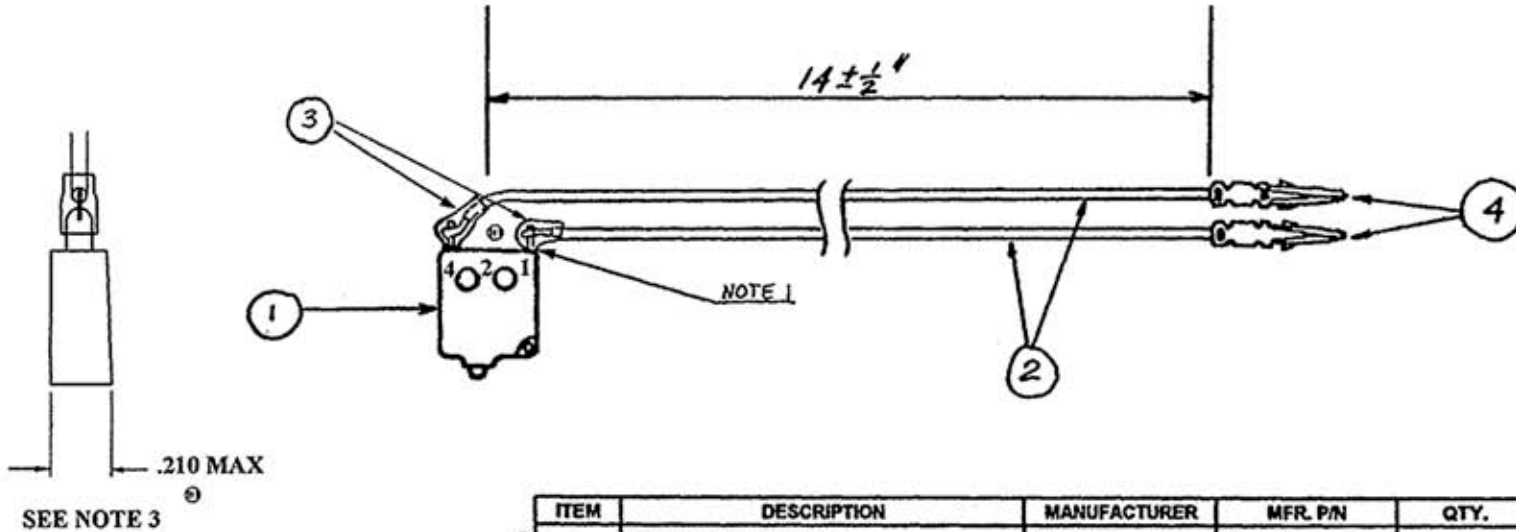


|                 |                          |                 |                 |
|-----------------|--------------------------|-----------------|-----------------|
| 4               |                          |                 |                 |
| 3               | NUT, SPEED .56 DIA.      | 1               | 1928906         |
| 2               | LINK PRESSURE BAR RETURN | 1               | 9778460         |
| 1               | ARM PRESSURE BAR RETURN  | 1               | 9776380         |
| <u>Item No.</u> | <u>PART DESCRIPTION</u>  | <u>QUANTITY</u> | <u>PART NO.</u> |

# SWITCH ASSY. PRESSURE BAR COMPLETE

## NOTES:

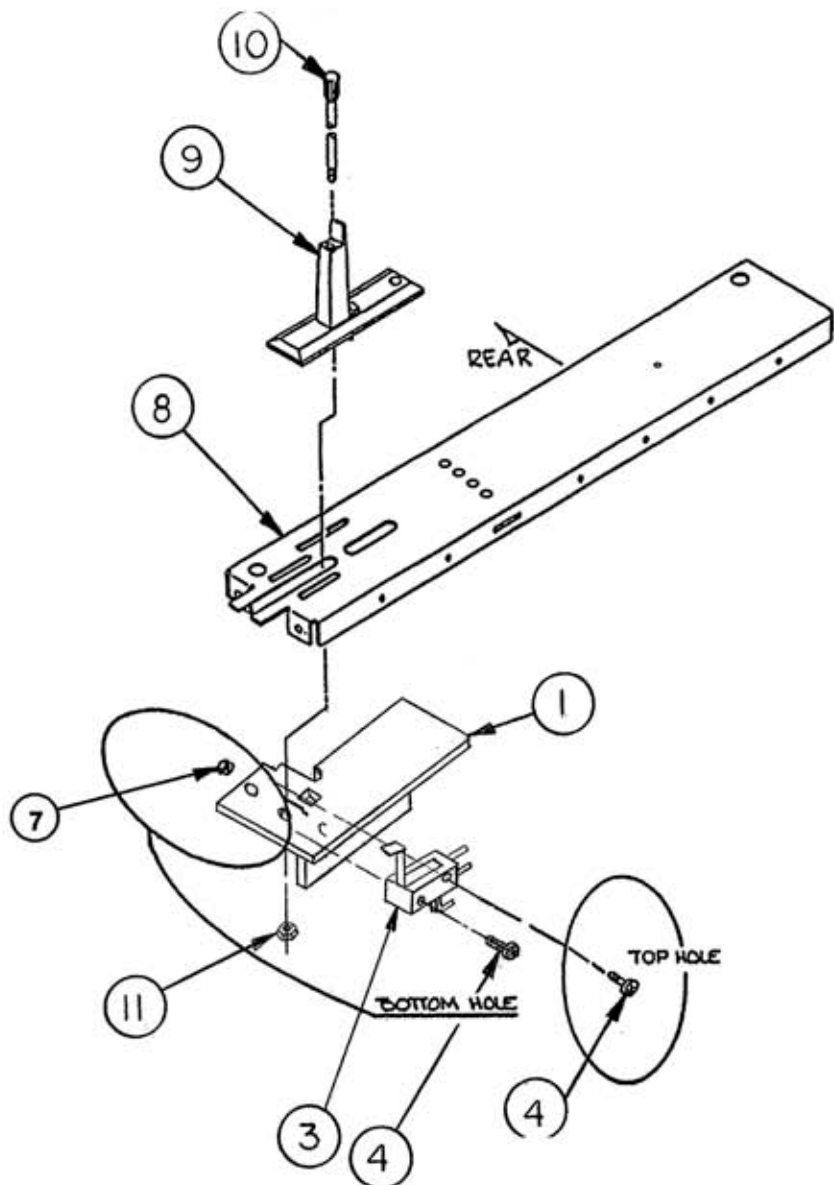
1. REMOVE TERMINAL #2 (NC), SNIP CLOSE TO BODY OF SWITCH (POSITION OF TERMINALS MAY BE DIFFERENT, THAN SHOWN ON DRAWING).
2. ITEM 3 MUST COMPLETELY COVER SWITCH TERMINALS #1 (COM) AND #4 (NO)
3. HEAT SHRINK INSULATION SHOULD NOT EXCEED WIDTH OF SWITCH (.210 MAX)



| ITEM | DESCRIPTION                        | MANUFACTURER | MFR. P/N        | QTY. | GBC P/N (REF.) | REMARKS       |
|------|------------------------------------|--------------|-----------------|------|----------------|---------------|
| 1    | SWITCH PRESSURE BAR                | BURGESS      | F4T7-JL         | 1    | 9780088        |               |
| 2    | WIRE 24 AWG BLACK, 1.4"            | BELDEN       | STYLE 8890      |      | 9777055        | OR EQUIVALENT |
| 3    | INSULATING SHRINK TUBING 1/2" LONG | ICO RALLY    | HDX 1/8-CLASS 1 | 2    | 1954340        | OR EQUIVALENT |
| 4    | TERMINAL .062 DIA MALE 1560 SER.   | MOLEX        | 02-06-2101      | 2    | 1950732        |               |

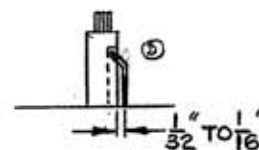


# EDGE GUIDE ASSY.PUNCHING GRAY



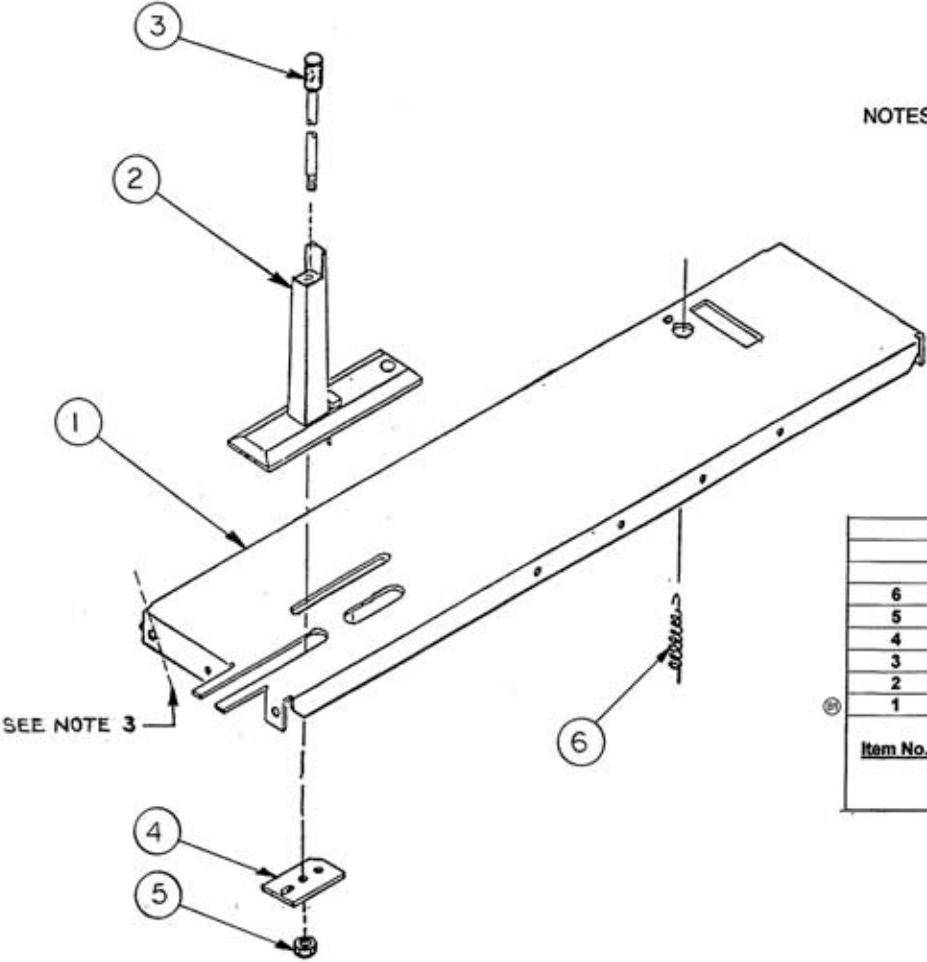
## NOTES:

1. LOOSEN NUT, ITEM 11, 1/2 TURN FROM ITS SNUG TIGHT POSITION
2. ADJUST THE SWITCH, ITEM 3, BEFORE SECURING SO THAT ACTUATOR ON THE SWITCH ACTUATES ABOUT 1/16" BEFORE IT ENTERS INTO THE SLOT ON PUNCH EDGE GUIDE, ITEM 9.



| 11     | NUT LOCK 6-32                          | 1927403 | 1    |      |
|--------|--|---------|------|------|
| 10     | KNOB EDGE GUIDE PUNCH                  | 9778318 | 1    |      |
| 9      | PUNCH EDGE GUIDE GBC/VB 750            | 7705013 | 1    |      |
| 8      | SUPPORT PUNCH PAPER GUIDE              | 9781857 | 1    |      |
| 7      | NUT HEX 4-40 SEMS                      | 1926804 | 1    |      |
| 6      |  |         |      |      |
| 5      |  |         |      |      |
| 4      | SCREW PH PAN HD 4-40X3/4               | 1902840 | 2    |      |
| 3      | SNAP SWITCH, TABLE                     | 7701613 | 1    |      |
| 2      |  |         |      |      |
| 1      | BRACKET TABLE SWITCH SYSTEM 3<br>PRO-1 | 9783697 | 1    |      |
| ITEM # | PART DESCRIPTION                       | PART #  | QTY. | ZONE |

# EDGE GUIDE ASSY. SYS - 4 GRAY



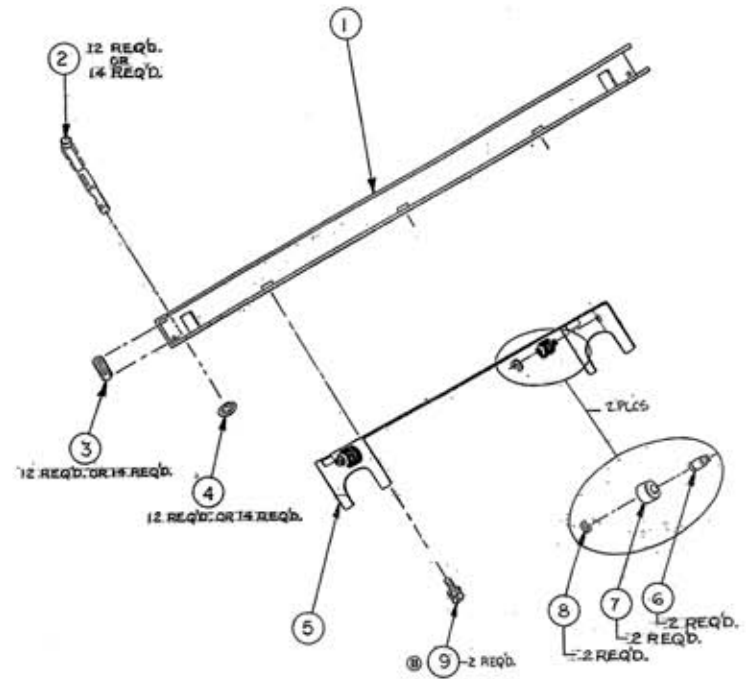
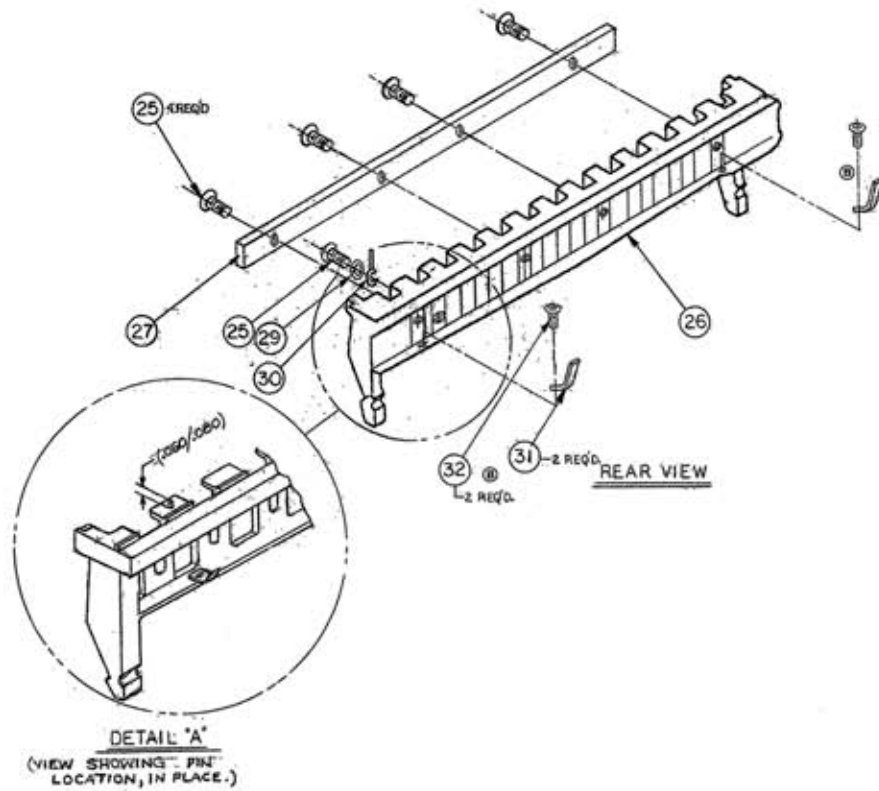
- NOTES:**
- 1) Hook on Spring, item# 6, should be secured to Support Guide, item # 1.
  - 2) Loosen nut, item # 5, 1/2 turn from its snug tight position.
  - 3) Trim off marked corner approximately 45 Deg. as shown.

| Item No. | PART DESCRIPTION         | QUANTITY | PART NO.  |
|----------|--------------------------|----------|-----------|
| 6        | SPRING EXTENSION 1-3/4"  | 1        | 9779260   |
| 5        | NUT LOCK 10-32           | 1        | 1927407   |
| 4        | PLATE RETAINING          | 1        | 9778756   |
| 3        | KNOB EDGE GUIDE BIND     | 1        | 9778317   |
| 2        | GUIDE EDGE BIND          | 1        | 7705069   |
| 1        | SUPPORT PAPER BIND GUIDE | 1        | 9779363   |
|          |                          |          | (9778401) |
|          |                          |          | PART NO.  |

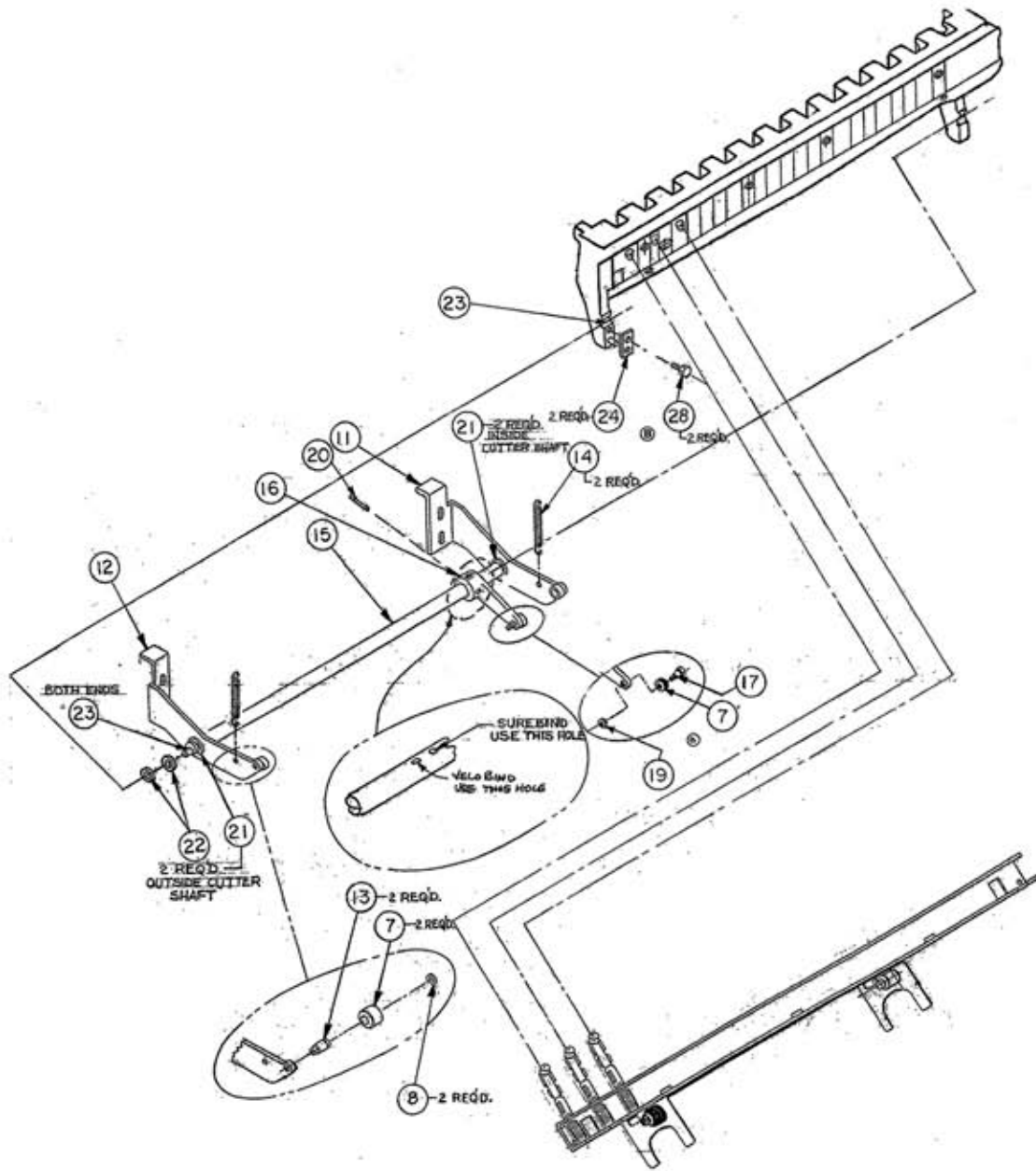
# BRIDGE ASSY. COMPLETE

Notes:

- 1) Use Arbor press to form Rivet Cam Follower, Item #6, into Bracket Cooling Sys 4, Item # 5.
- 2) Install Locating Pin, Item #30, with loop opening facing direction as shown.
- 3) Use a binding strip to set Locating Pin height.



# BRIDGE ASSY. COMPLETE

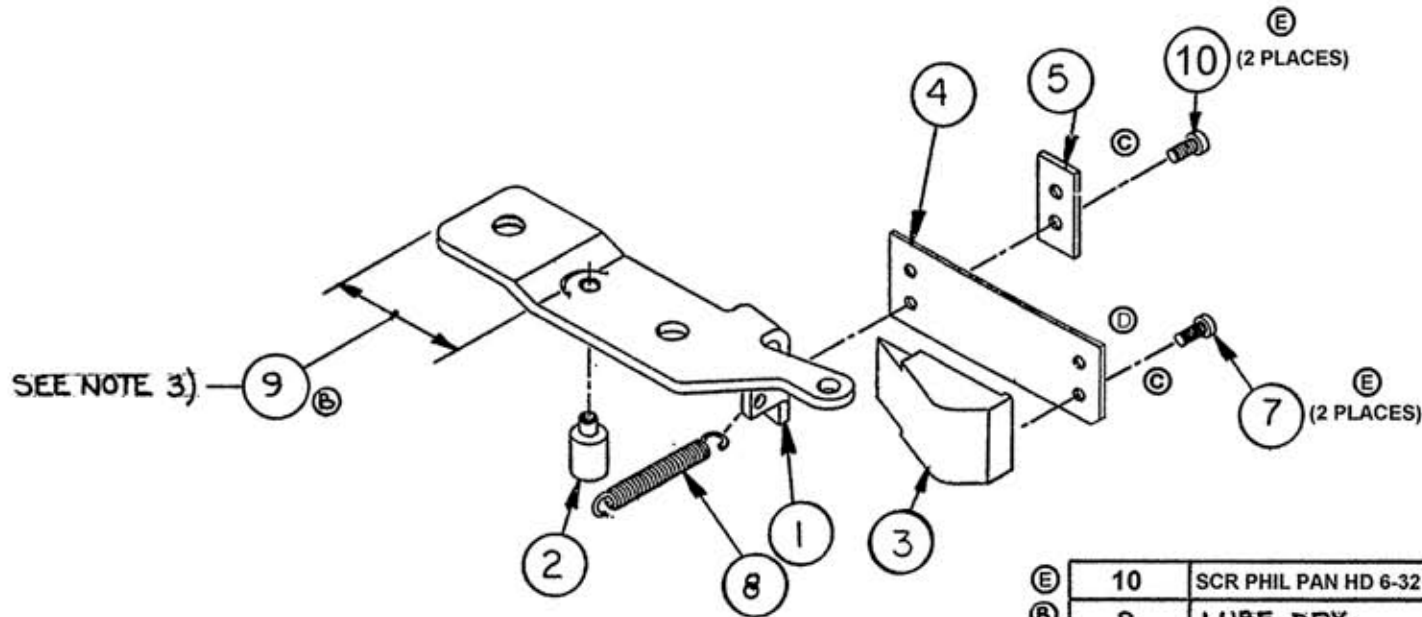


**Notes:**

- 1) Use Arbor press to form Rivet Can Follower-Roller, item #13, into LHRH Arm Cutter, items # 12 & #11, respectively.
- 2) Squeeze end of Spring Tension 1", item # 14, after it has been inserted thru hole on LHRH Arm Cutter.
- 3) Add 1 to 2 Washers, item # 22, to left hand end of Shaft Cutter Arm, item #15. Shaft Cuttr Arm should fit snug into Bridge arms, item#26. (See Drawing)

| BRIDGE ASSEMBLY COMPLETE |                                       |          |             |                     |                  |                 |                                       |
|--------------------------|---------------------------------------|----------|-------------|---------------------|------------------|-----------------|---------------------------------------|
| ITEM                     | PART DESCRIPTION                      | QTY      | PART NUMBER |                     |                  |                 |                                       |
|                          |                                       |          | COMMON      | 9779887<br>Velobind | 9781611 Surebind | 9783614 Wrap-VB | 9784053 Sys 3 pro-<br>1 velobind wrap |
| 1                        | Channel Cooling SYS 4                 | 1        |             | 9776845             | 9781593          | 9776845         | 9776845                               |
| 2                        | Pin Cooling (Die Cast)                | 12 or 14 | 9778687     | Qty - 14            | Qty - 12         | Qty - 14        | Qty - 14                              |
| 3                        | Spring Cooling Pin                    | 12 or 14 | 9779272     | Qty - 14            | Qty - 12         | Qty - 14        | Qty - 14                              |
| 4                        | Ring Retaining                        | 12 or 14 | 1932502     | Qty - 14            | Qty - 12         | Qty - 14        | Qty - 14                              |
| 5                        | Bracket Cooling Sys 4                 | 1        |             | 9780060             | 9781594          | 9780060         | 9780060                               |
| 6                        | Rivet Cam Follower - Roller           | 2        | 9779662     |                     |                  |                 |                                       |
| 7                        | Roller Cutter Arm                     | 5        | 9779064     |                     |                  |                 |                                       |
| 8                        | Crescent Ring                         | 4        | 1930508     |                     |                  |                 |                                       |
| 9                        | Screw PH Pan HD-6-32x3/8 SEMS         | 2        | 1911116     |                     |                  |                 |                                       |
| 10                       |                                       |          |             |                     |                  |                 |                                       |
| 11                       | Arm Cutter RH                         | 1        |             | 9776381             | 9776381          | 9776392         | 9776381                               |
| 12                       | Arm Cutter LH                         | 1        |             | 9776382             | 9776382          | 9776393         | 9776382                               |
| 13                       | Rivet Cam Follower - Roller           | 2        | 9779064     |                     |                  |                 |                                       |
| 14                       | Spring Tension 1"                     | 2        | 9779278     |                     |                  |                 |                                       |
| 15                       | Shaft Cutter Arm                      | 1        | 9779235     |                     |                  |                 |                                       |
| 16                       | Extruder Arm                          | 1        | 9776376     |                     |                  |                 |                                       |
| 17                       | Screw SHLD Hex 8-32                   | 1        | 9779346     |                     |                  |                 |                                       |
| 18                       |                                       |          |             |                     |                  |                 |                                       |
| 19                       | Nut - hex 8-32 KEPS                   | 1        | 1926602     |                     |                  |                 |                                       |
| 20                       | Roll Pin .125 x 1.00                  | 1        | 1929208     |                     |                  |                 |                                       |
| 21                       | Retaining Ring E .500 Shaft           | 4        | 1930532     |                     |                  |                 |                                       |
| 22                       | Washer                                | 2        | 1925206     |                     |                  |                 |                                       |
| 23                       | Grease Lubricating                    | a/r      | 1981503     |                     |                  |                 |                                       |
| 24                       | Plate Cutter Arm Shaft Reatiner       | 2        | 9778781     |                     |                  |                 |                                       |
| 25                       | Screw Thd Cut PH 10-32 x1/2           | 5        | 1907839     |                     |                  |                 |                                       |
| 26                       | Bridge Amchined                       | 1        |             | 9778700             | 9781597          | 9776700         | 9784052                               |
| 27                       | bracket stripper                      | 1        |             | 9776731             | 9781896          | 9781765         | none                                  |
| 28                       | sct thd cut ph pan hd 8-32 x 1/2 star | 2        | 1611504     |                     |                  |                 |                                       |
| 29                       | Lockwasher int tooth # 10             | 1        | 1925803     |                     |                  |                 |                                       |
| 30                       | Pin - Strip Locating                  | 1        |             |                     | 9781894          | 9781894         | 97818194                              |
| 31                       | Stop Cooling                          | 2        | 9778416     |                     |                  |                 |                                       |
| 32                       | Scr Thd Cut -Ph Pan HD 6-32 x3/8 Star | 2        | 1911503     |                     |                  |                 |                                       |

# RIGHT HAND PIVOT PLATE ASSY.



SEE NOTE 3)

|     |                 |                                      |                 |                 |
|-----|-----------------|--------------------------------------|-----------------|-----------------|
| E   | 10              | SCR PHIL PAN HD 6-32 X 3/8 STAR      | 2               | 1911116         |
| B   | 9               | LUBE DRY                             | A/R             | 1961529         |
|     | 8               | SPRING TENSION 1-1/2"                | 1               | 9779274         |
| E C | 7               | SCR THD CUT PH PAN HD 6-32X 3/8 STAR | 2               | 1911503         |
| C   | 6               |                                      |                 |                 |
|     | 5               | RETAINER FLAT SPRING                 | 1               | 9779088         |
|     | 4               | SPRING FLAT                          | 1               | 9779263         |
|     | 3               | CAM FOLLOWER PRESSURE                | 1               | 9776847         |
|     | 2               | RIVET RACK STUD                      | 1               | 9779059         |
|     | 1               | PLATE PIVOT RH                       | 1               | 9778740         |
|     | <b>Item No.</b> | <b>PART DESCRIPTION</b>              | <b>QUANTITY</b> | <b>PART NO.</b> |

## NOTES:

1) Use Arbor press to form Rivet Rack Stud, item #2, into Plate Pivot RH, item # 1.

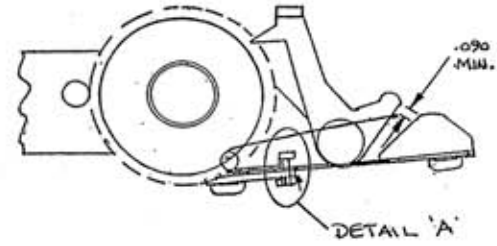
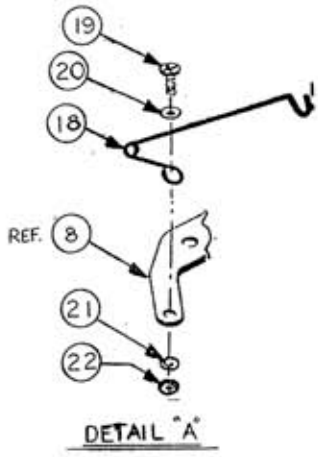
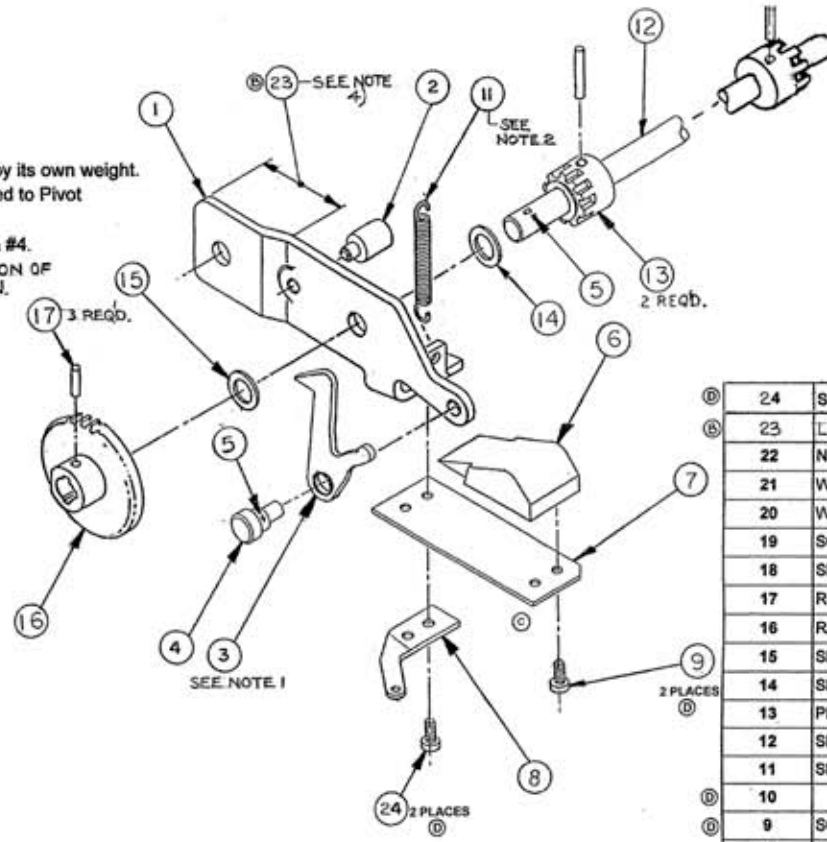
2) Squeeze end of Spring Tension, item # 8. After it has been inserted thru hole on Plate Pivot RH.

3) APPLY LUBE DRY, ITEM 9, ON END PORTION (BOTTOM SURFACE) OF PIVOT PLATE, ITEM 1, AS SHOWN.

# TIMING SHAFT ASSY. COMPLETE

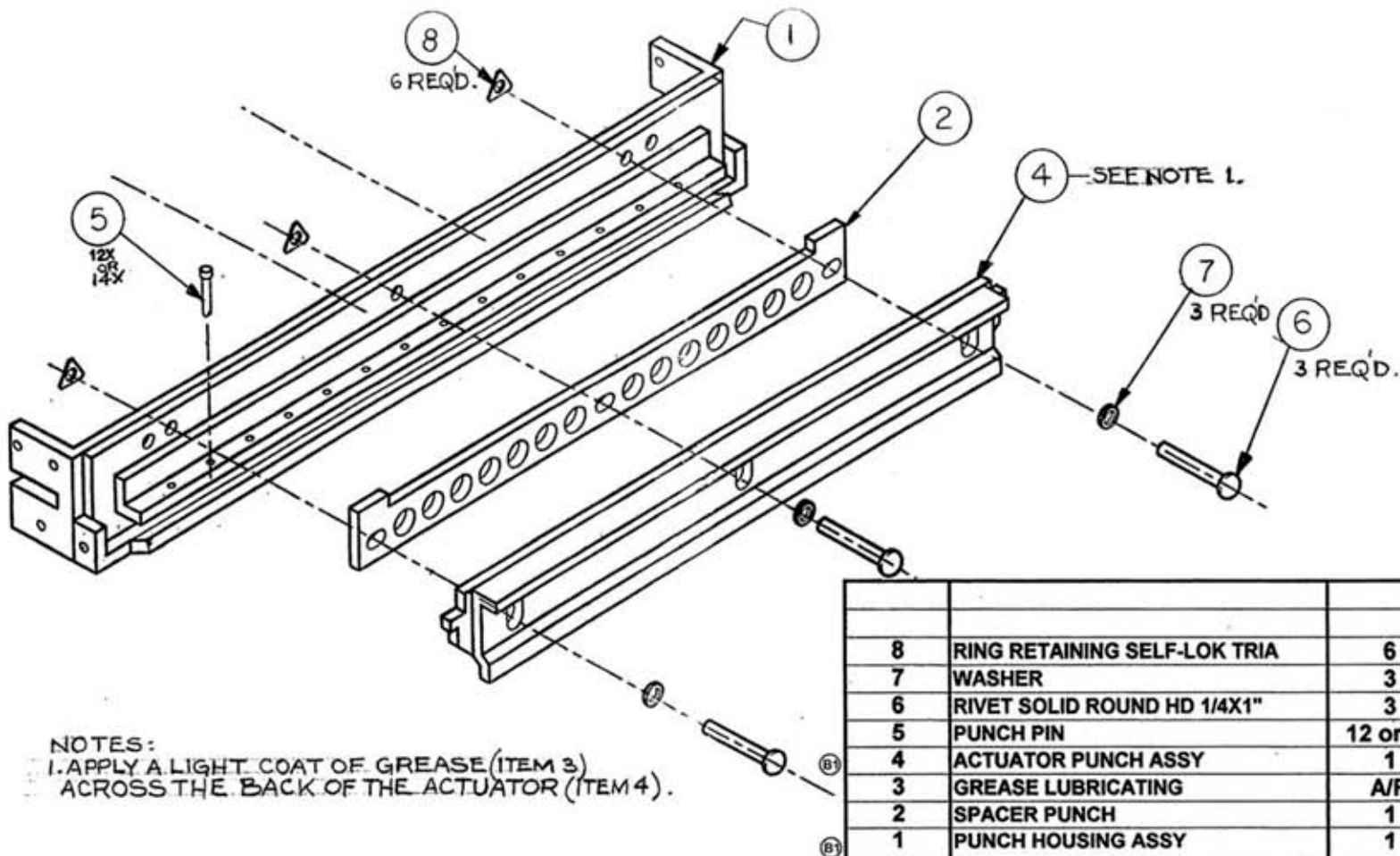
**NOTES:**

- 1) Pawl Pressure, item # 3, must rotate freely by its own weight.
- 2) Hook on Spring, item # 11, should be secured to Pivot Plate LH, item #1.
- 3) Use Arbor press to secure studs, items #2 & #4.
- ④ 4) APPLY LUBE DRY, ITEM 23 ON END PORTION OF PIVOT PLATE, ITEM 1, ON THE SIDE SHOWN.



|          |                  |                                      |          |          |
|----------|------------------|--------------------------------------|----------|----------|
| ⑩        | 24               | SCR PHIL PAN HD 6-32 X 3/8 STAR      | 2        | 1911116  |
| ④        | 23               | LUBE DRY                             | A/R      | 1961529  |
|          | 22               | NUT HEX 4-40                         | 1        | 1926711  |
|          | 21               | WASHER MEDIUM SPLIT LOCK #4          | 1        | 1926007  |
|          | 20               | WASHER FLAT .125ID                   | 1        | 1925012  |
|          | 19               | SCREW HEX SOC CAP 4-40X3/8           | 1        | 1900501  |
|          | 18               | SPRING PAWL                          | 1        | 9779280  |
|          | 17               | ROLL PIN 3/4"                        | 3        | 1929203  |
|          | 16               | RATCHET 36 TEETH                     | 1        | 9779085  |
|          | 15               | SPACER .62X .377X .020 THK           | 1        | 9779255  |
|          | 14               | SPACER .377ID X .56OD                | 1        | 9779256  |
|          | 13               | PINION GEAR FINISHED                 | 2        | 9778765  |
|          | 12               | SHAFT TIMING                         | 1        | 9779240  |
|          | 11               | SPRING TENSION 1-1/2"                | 1        | 9779274  |
| ⑩        | 10               |                                      |          |          |
| ⑩        | 9                | SCR THD CUT PH PAN HD 6-32X3/8, STAR | 2        | 1911503  |
|          | 8                | RETAINER FLAT SPRING PIVOT LH        | 1        | 9779087  |
|          | 7                | SPRING FLAT                          | 1        | 9779283  |
|          | 6                | CAM FOLLOWER PRESSURE                | 1        | 9776847  |
|          | 5                | GREASE LUBRICATING                   | A/R      | 1961503  |
|          | 4                | RIVET PIVOT PLATE TRUNNION           | 1        | 9779058  |
|          | 3                | PAWL PRESSURE                        | 1        | 9778774  |
|          | 2                | RIVET RACK STUD                      | 1        | 9779059  |
|          | 1                | PLATE PIVOT LH                       | 1        | 9778741  |
| Item No. | PART DESCRIPTION |                                      | QUANTITY | PART NO. |





NOTES:  
 1. APPLY A LIGHT COAT OF GREASE (ITEM 3)  
 ACROSS THE BACK OF THE ACTUATOR (ITEM 4).

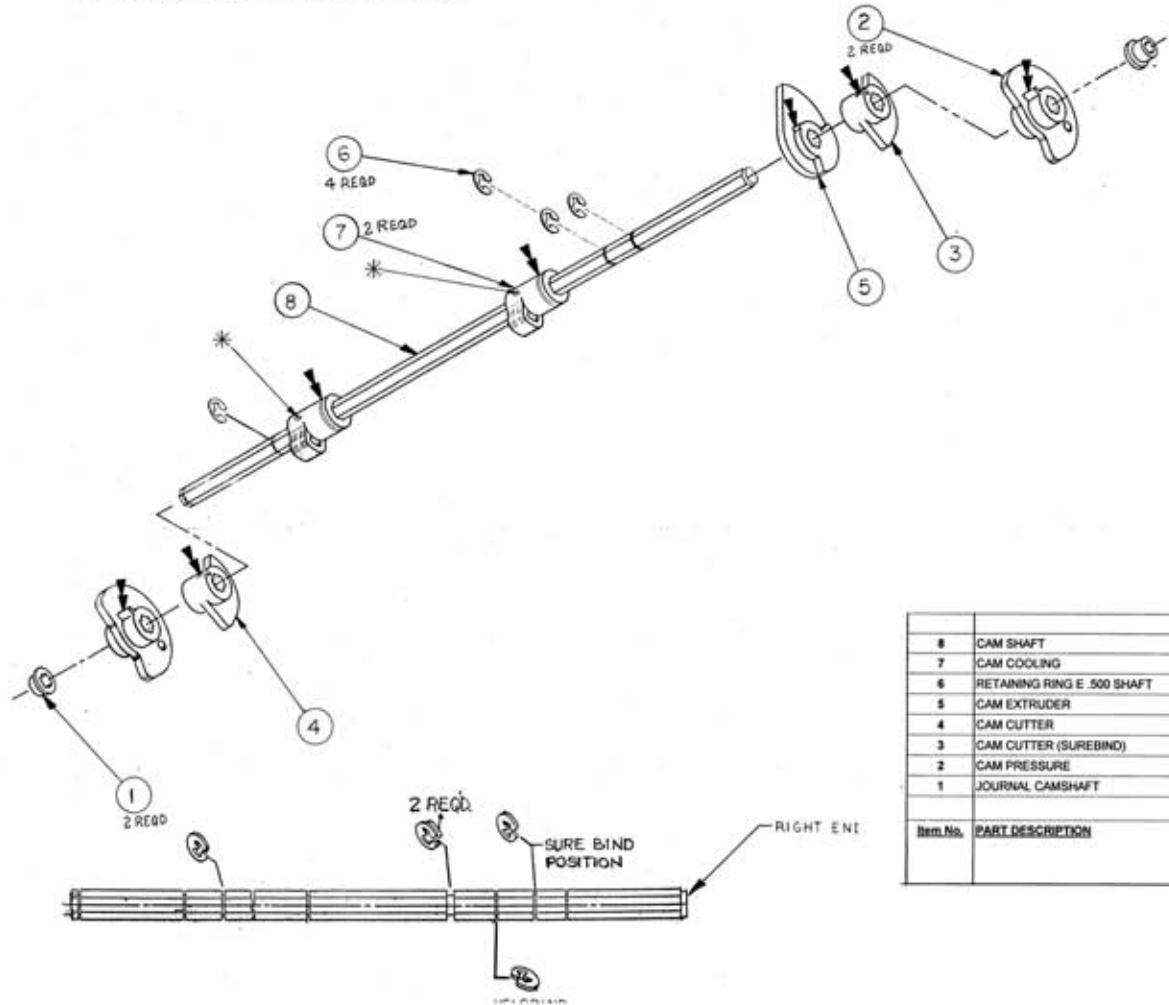
|      |                              |          |         |             |          |
|------|------------------------------|----------|---------|-------------|----------|
| 8    | RING RETAINING SELF-LOK TRIA | 6        | 1929105 |             |          |
| 7    | WASHER                       | 3        | 1925218 |             |          |
| 6    | RIVET SOLID ROUND HD 1/4X1"  | 3        | 1930011 |             |          |
| 5    | PUNCH PIN                    | 12 or 14 | 9778684 | Qty=12      | Qty=14   |
| 4    | ACTUATOR PUNCH ASSY          | 1        |         | 9781390     | 9776365  |
| 3    | GREASE LUBRICATING           | A/R      | 1961503 |             |          |
| 2    | SPACER PUNCH                 | 1        | 9779250 |             |          |
| 1    | PUNCH HOUSING ASSY           | 1        |         | 9777425     | 9778194  |
| NO   |                              |          | COMMON  | 9781814     | 9781029  |
| ITEM | DESCRIPTION                  | QTY.     |         | SUREBIND    | VELOBIND |
|      |                              |          |         | PART NUMBER |          |

**PUNCH HOUSING ASSY.COMPOSITE**

# CAM SHAFT ASSY.

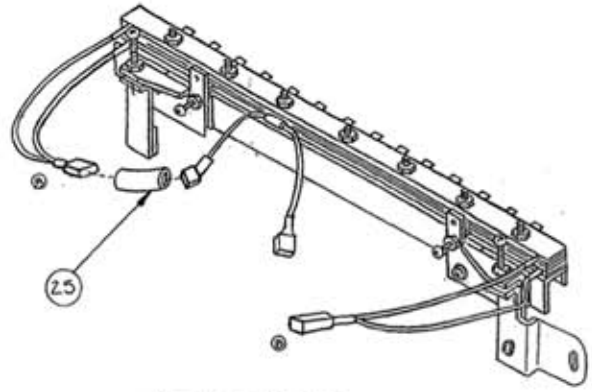
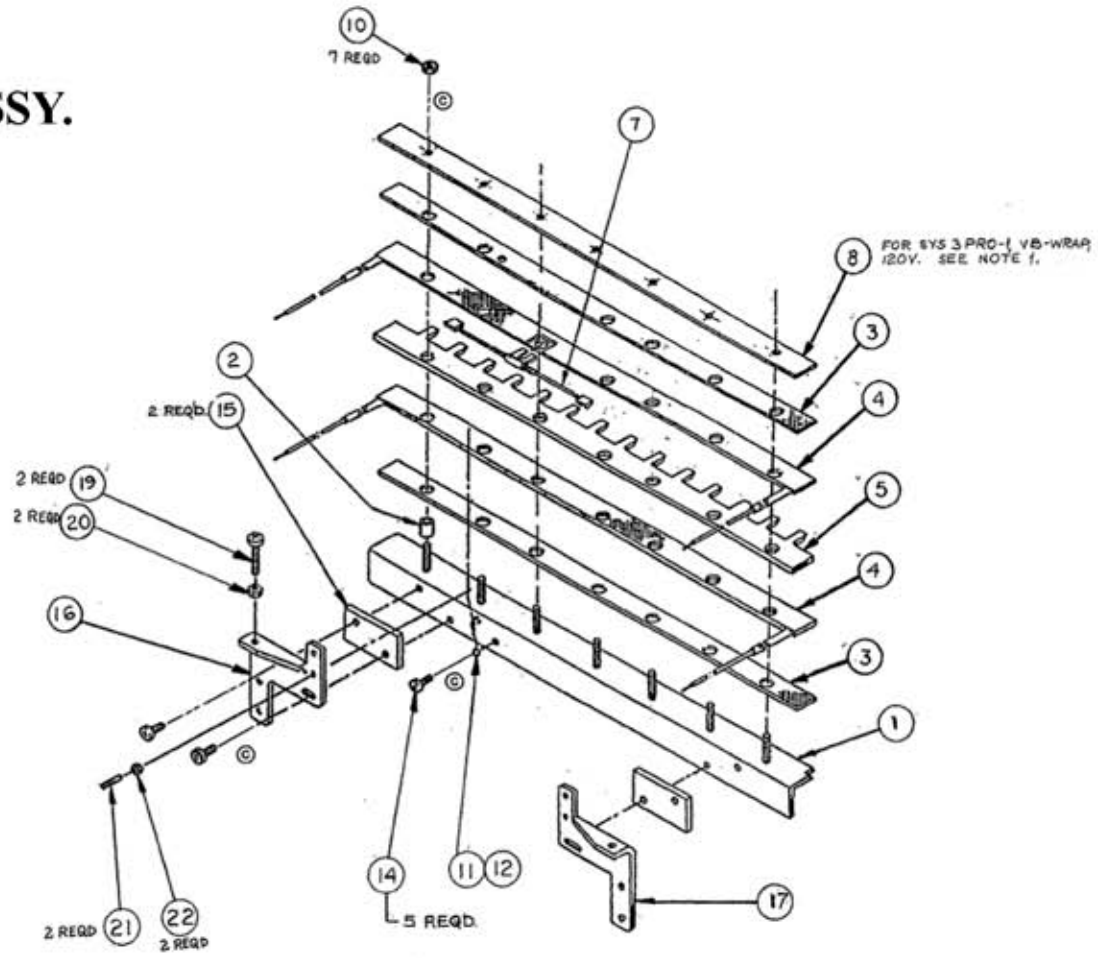
**NOTES:**

- 1) Gate mark (K) on Cam Cooling, item # 7, should be in line with Notches marked with (∇).
- 2) Notches and Grooves marked with (∇) must face to right end of Shaft, item # 8, and must all be in line with each other as drawn.

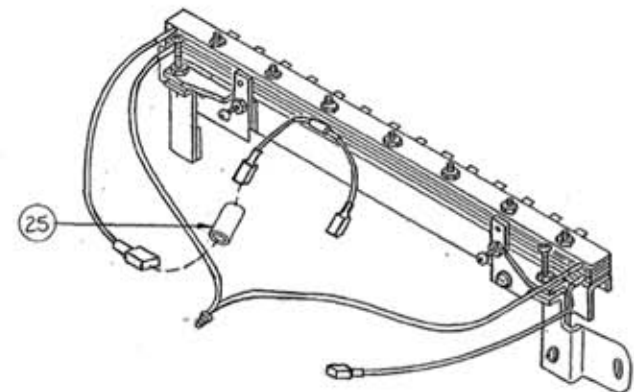


|          |                            |          |         |           |           |
|----------|----------------------------|----------|---------|-----------|-----------|
| 8        | CAM SHAFT                  | 1        | 9779234 |           |           |
| 7        | CAM COOLING                | 2        | 9779865 |           |           |
| 6        | RETAINING RING E 500 SHAFT | 4        | 9779072 |           |           |
| 5        | CAM EXTRUDER               | 1        | 9776841 |           |           |
| 4        | CAM CUTTER                 |          | 9776840 | 2         | 1         |
| 3        | CAM CUTTER (SUREBIND)      |          | 9781757 | -         | 1         |
| 2        | CAM PRESSURE               | 2        | 9776959 |           |           |
| 1        | JOURNAL CAMSHAFT           | 2        | 9779236 |           |           |
|          |                            |          |         | (9779864) | (9783613) |
| Item No. | PART DESCRIPTION           | QUANTITY | COMMON  | VELOBIND  | SUREBIND  |
|          |                            |          |         | PART NO.  |           |

# HEATER BLADE ASSY.



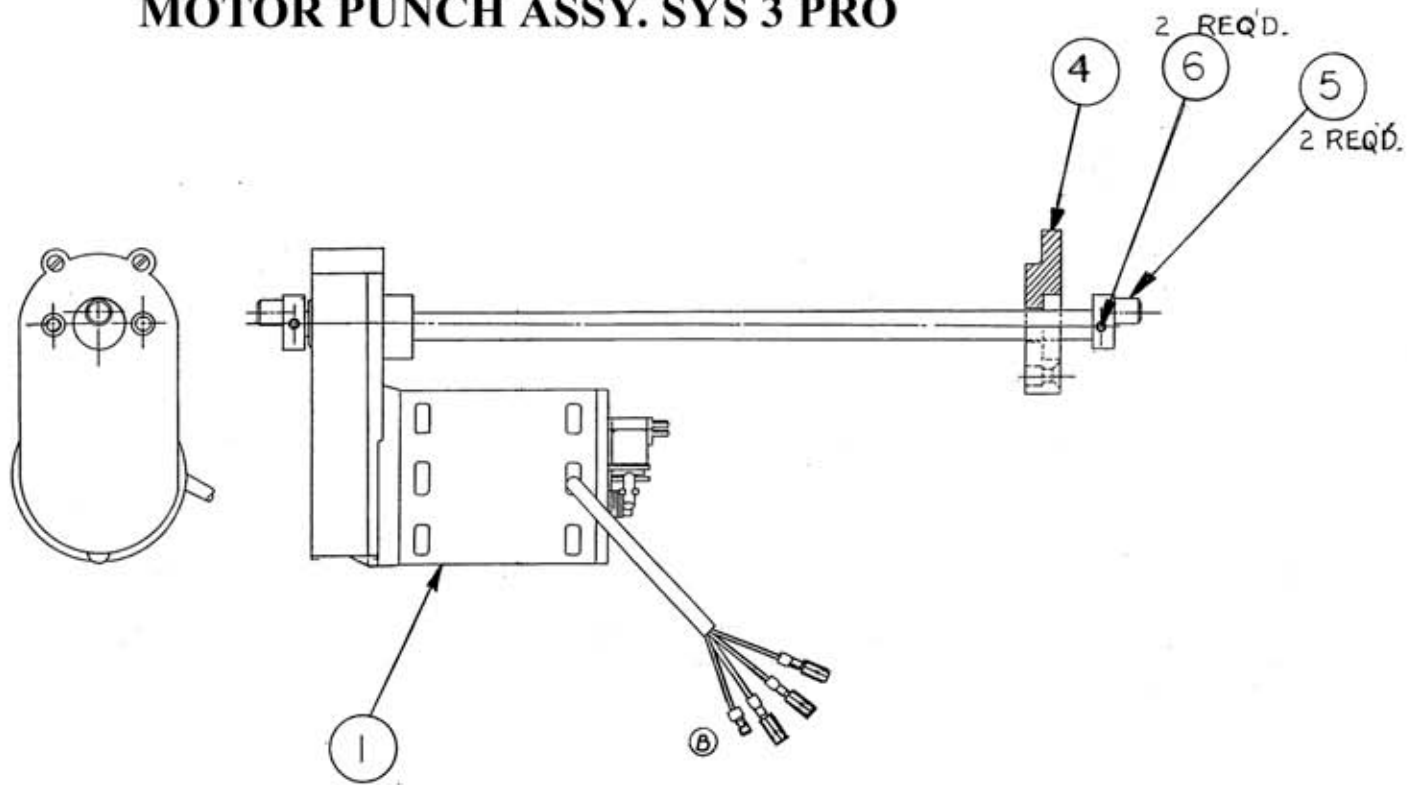
100/115 V. CONNECTIONS



230V. CONNECTIONS

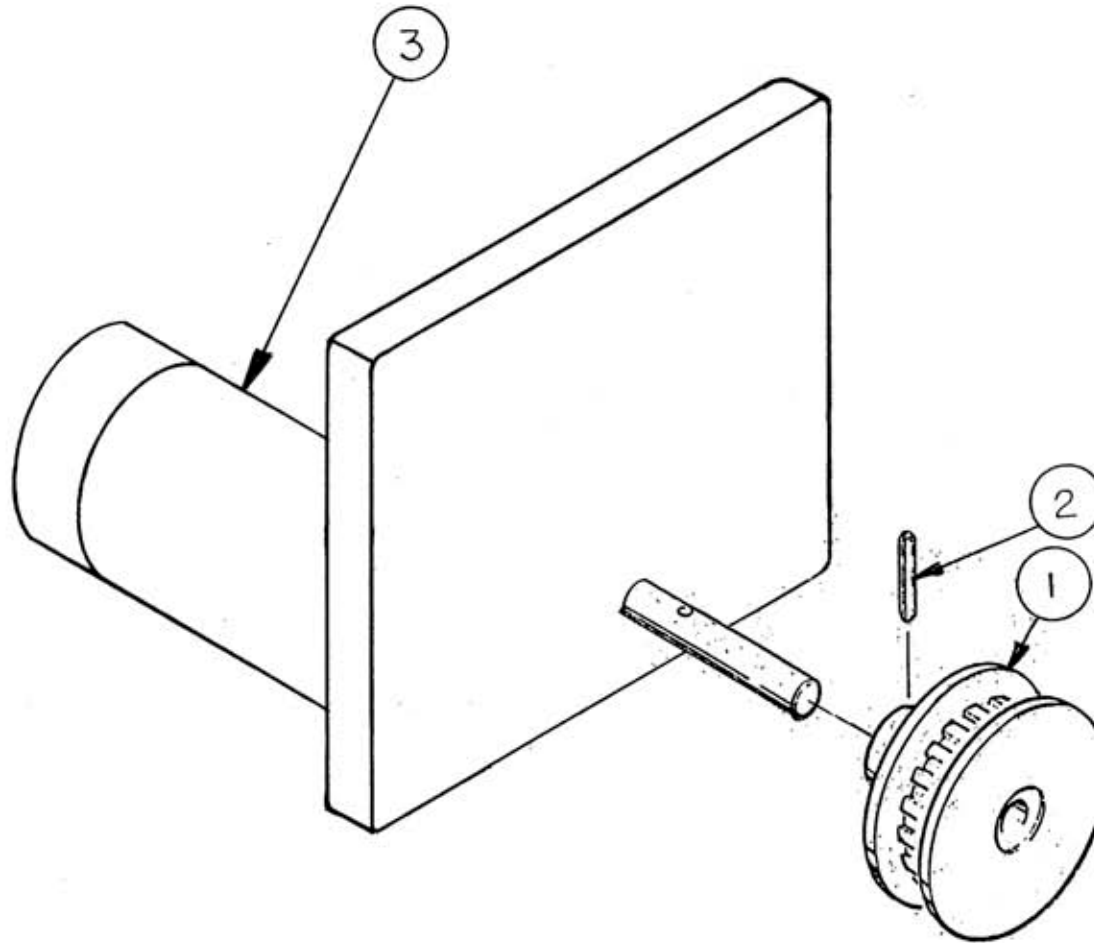
|     |          |                                 |          |         |                      |                      |                      |                      |                      |                              |   |
|-----|----------|---------------------------------|----------|---------|----------------------|----------------------|----------------------|----------------------|----------------------|------------------------------|---|
|     | 26       |                                 |          |         |                      |                      |                      |                      |                      |                              |   |
|     | 25       | SLEEVE INS HIGH TEMP 3/8"OD     | 1        | 1954423 |                      |                      |                      |                      |                      |                              |   |
| (B) | 24       |                                 |          |         |                      |                      |                      |                      |                      |                              |   |
| (B) | 23       |                                 |          |         |                      |                      |                      |                      |                      |                              |   |
|     | 22       | NUT HEX 4-40                    | 2        | 1926711 |                      |                      |                      |                      |                      |                              |   |
|     | 21       | SCREW SET 4-40X3/4              | 2        | 1900023 |                      |                      |                      |                      |                      |                              |   |
|     | 20       | NUT HEX 8-32                    | 2        | 1928701 |                      |                      |                      |                      |                      |                              |   |
|     | 19       | SCREW PH PAN HD 8-32X 5/8       | 2        | 1902808 |                      |                      |                      |                      |                      |                              |   |
| (C) | 18       |                                 |          |         |                      |                      |                      |                      |                      |                              |   |
|     | 17       | BRACKET HEATER LH               | 1        |         | 9776704              | 9776704              | 9776704              | 9776704              | 9776704              | 9776757                      | 9776704                                       |
|     | 16       | BRACKET HEATER RH               | 1        |         | 9776703              | 9776703              | 9776703              | 9776703              | 9776703              | 9776758                      | 9776703                                       |
|     | 15       | INSULATOR HEATER BKT MODIFIED   | 2        | 9778294 |                      |                      |                      |                      |                      |                              |   |
| (C) | 14       | SCREW PH PAN HD 8-32X1/2 SEMS   | 5        | 1911111 |                      |                      |                      |                      |                      |                              |   |
| (C) | 13       |                                 |          |         |                      |                      |                      |                      |                      |                              |   |
|     | 12       | TUBING TEFLON #20 .034IDX.006W  | 1        | 1954422 |                      |                      |                      |                      |                      |                              |   |
|     | 11       | RETAINER THERMISTOR             | 1        | 9776089 |                      |                      |                      |                      |                      |                              |   |
| (C) | 10       | NUT HEX 6-32 KEPS               | 7        | 1926801 |                      |                      |                      |                      |                      |                              |   |
| (C) | 9        |                                 |          |         |                      |                      |                      |                      |                      |                              |   |
|     | 8        | PLATE KNIFE HEATER              | 1        |         | 9778754              | 9778754              | 9778754              | 9778754              | 9778754              | 9778755                      | 9784055                                       |
|     | 7        | THERMOSTAT CUTOFF ASSY.         | 1        | 9781812 |                      |                      |                      |                      |                      |                              |   |
| (B) | 6        |                                 |          |         |                      |                      |                      |                      |                      |                              |   |
|     | 5        | BLADE CUTTER COATED             | 1        |         | 9776713              | 9776713              | 9781601              | 9781601              | 9781601              | 9776749                      | 9776713                                       |
| (B) | 4        | HEATER ELEMENT ASSY, TERMINATED | 1        |         | 9783654              | 9783655              | 9783654              | 9783655              | 9783653              | 9783654                      | 9783654                                       |
|     | 3        | INSULATOR HEATER BLOCK          | 2        | 9778289 |                      |                      |                      |                      |                      |                              |   |
|     | 2        | INSULATOR SLEEVE                | 7        | 9778298 |                      |                      |                      |                      |                      |                              |   |
|     | 1        | BRACKET KNIFE HEATER            | 1        |         | 9776705              | 9776705              | 9776705              | 9776705              | 9776705              | 9776755                      | 9784054                                       |
|     | Item No. | PART DESCRIPTION                | QUANTITY | COMMON  | (9782060)<br>120V VB | (9782061)<br>240V VB | (9781614)<br>120V SB | (9781613)<br>240V SB | (9782062)<br>100V SB | (9783615)<br>120V<br>WRAP VB | 9784056<br>SYS 3PRO<br>VB WRAP<br>120V<br>(D) |
|     |          |                                 |          |         | PART NO.             |                      |                      |                      |                      |                              |   |

# MOTOR PUNCH ASSY. SYS 3 PRO



| NO    | DESCRIPTION         | QTY. | PART NUMBER |         |         |
|-------|---------------------|------|-------------|---------|---------|
| 6     | ROLL PIN 3/16X1     | 2    | 1929230     |         |         |
| 5     | CRANK PUNCH DRIVE   | 2    | 9776842     |         |         |
| 4     | BEARING PUNCH SHAFT | 1    | 9776610     |         |         |
| (B) 3 |                     |      |             |         |         |
| (B) 2 |                     |      |             |         |         |
| 1     | GEARMOTOR PUNCH     | 1    | 9776944     | 9777213 |         |
|       |                     |      | COMMON      | 9778568 | 9778567 |
|       |                     |      |             | 230V    | 120V    |
| NO    | DESCRIPTION         | QTY. | PART NUMBER |         |         |

# PULLEY & BIND MOTOR ASSY.



|          |          |                    |      |      |
|----------|----------|--------------------|------|------|
| 3        | 9778565  | BIND MOTOR         | 1    |      |
| 2        | 1929203  | ROLL PIN           | 1    |      |
| 1        | 9778704  | PULLEY, BIND MOTOR | 1    |      |
| ITEM NO. | PART NO. | DESCRIPTION        | QTY. | ZONE |