

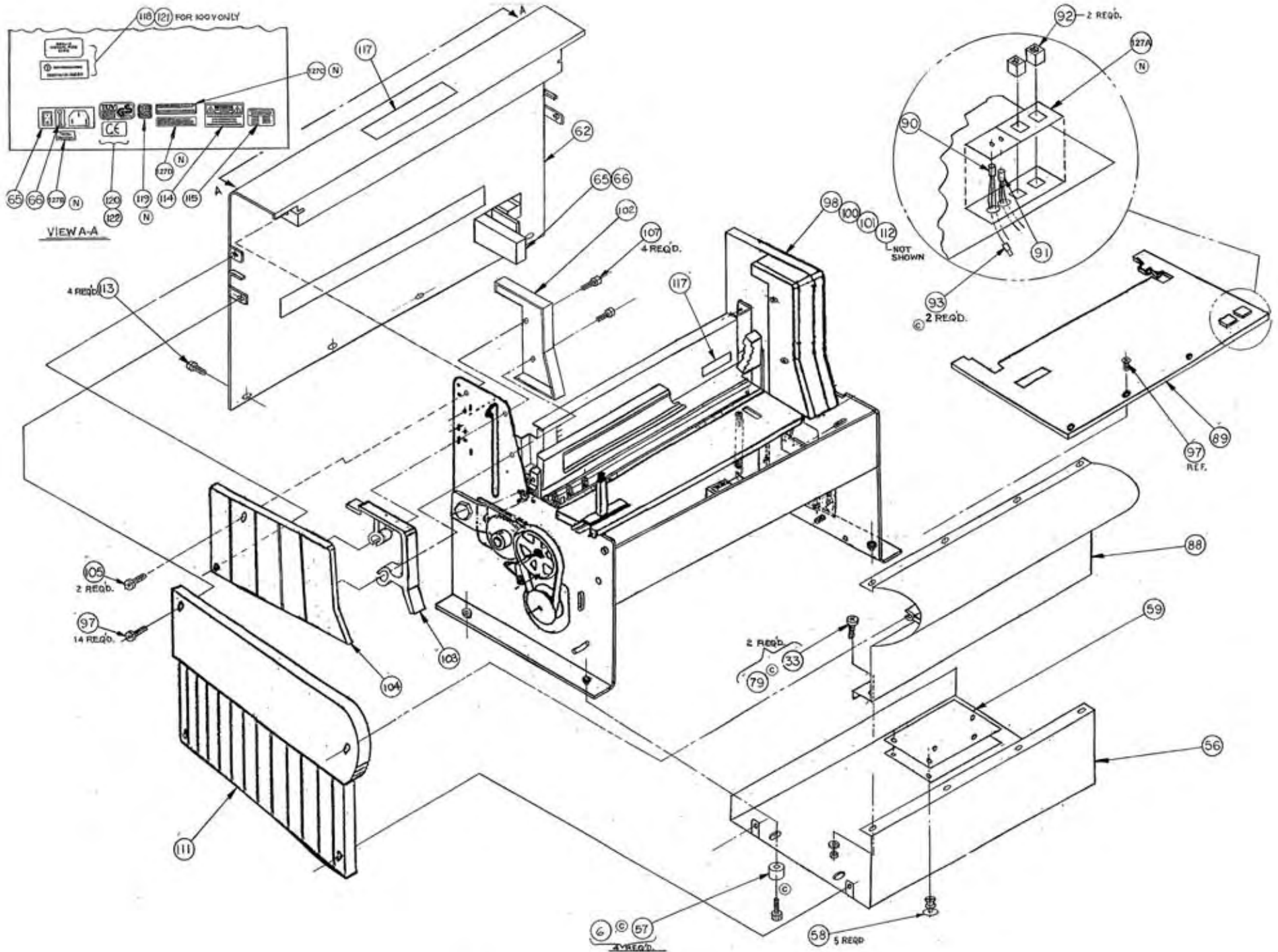


SYSTEM FOUR BIND Parts List

GBC IS AN ACCO BRANDS COMPANY



SYSTEM FOUR FINAL ASSY

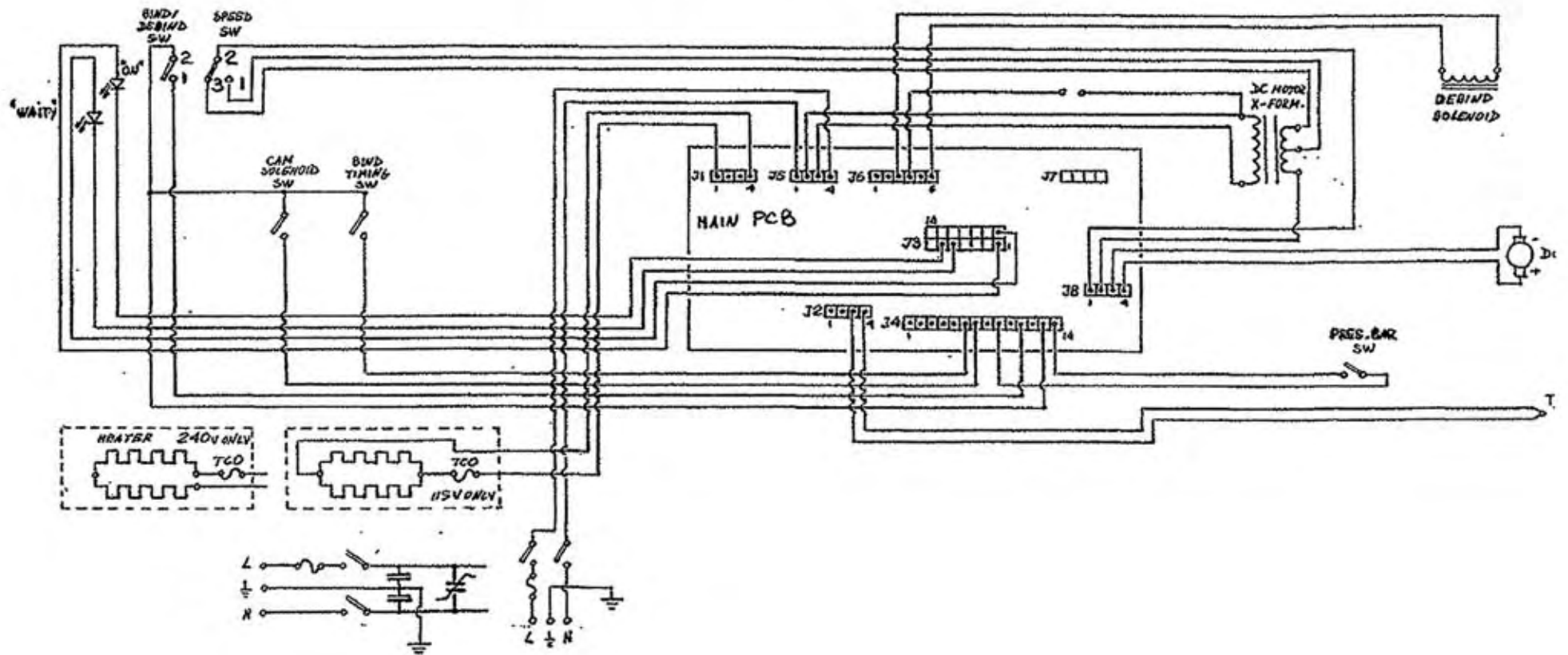


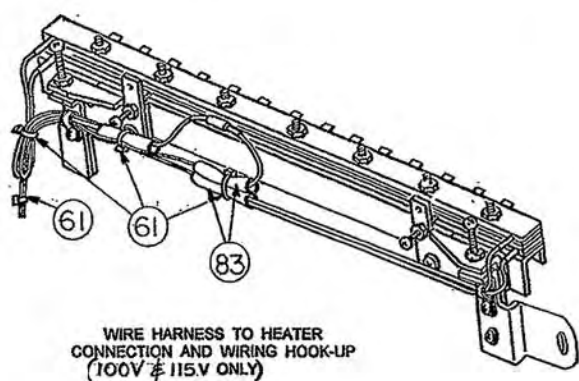
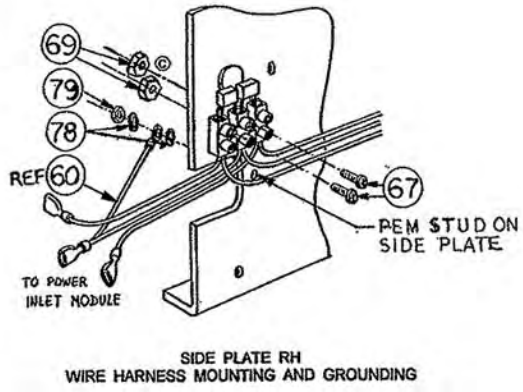
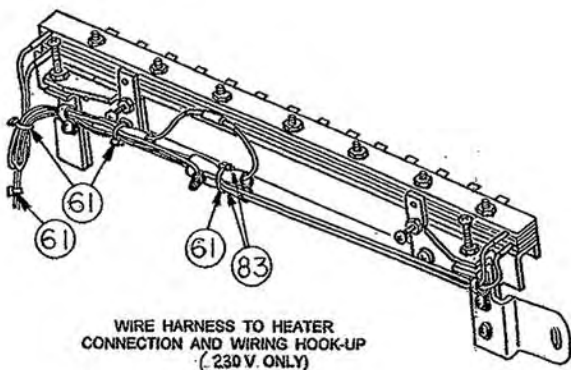
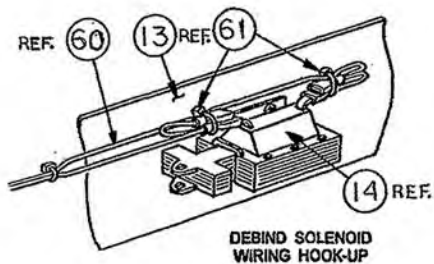
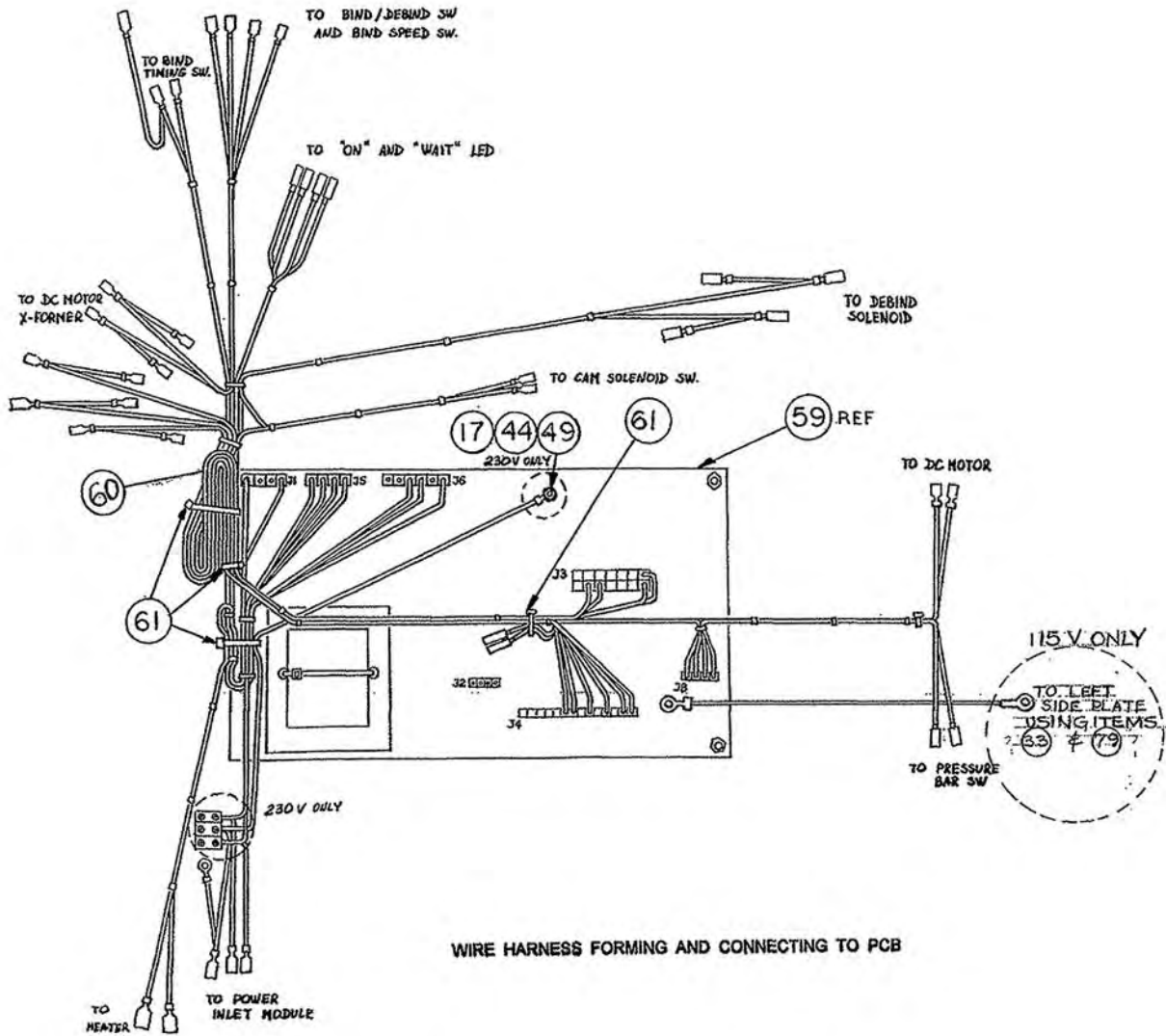
ITEM	PART DESCRIPTION	QTY	PART NUMBER					ZONE	
			COMMON	9783609 VB-INTL,230 V	9783610 VB-DOM 120 V,BEIGE	9783608 SB-INTL,230 V BEIGE	9783611 SB-DOM,120 V BEIGE		9783612,VB_WRAP,120 V BEIGE
1	SIDE FRAME RH	1		9781321	9781321	9781321	9781321	9781726	
2	CUSHION DRIVE ARM RUBBER	1	9778639						
3	RIVET P/B RETURN TRUNION-TAP	1	9781811						
4									
5									
6	SCREW PHIL PAN HD 10-32 X1/2" SEMS	6	1911103						
7	SIDE FRAME LH	1		9781320	9781320	9781320	9781320	9781725	
8	BEARING CAMSHAFT 323/23002	2	9776611						
9	CAMSHAFT ASSY	1		9779866	97779866	9783613	9783613	9779866	
10	BRIDGE ASSY COMPLETE	1		9779887	9779887	9781611	9781611	9783614	
11	SCR THD CUT PH PAN HD 8-32X3/4"	2	1907806						
12									
13	SUPPORT PLATE FRONT	1	9781503						
14	SOLENOID	1		9780114	9780113	97880114	9780113	9780113	
15	SCREW PHIL PAN HD 6-32 X1/2" SEMS	5 or 7	1911121	QTY-5	QTY-5	QTY-5	QTY-5	QTY-7	
16									
17	NUT HEX 1/4-20 KEPS	6	1926805						
18	SCREW PHIL PAN HD 1/4-20X 5/8"	4	1902801						
19									
20	NUT HEX 1/4-20 KEPS	6	1926805						
21	ACTUATOR SWITCH FIXED	1	9779891						
22	WASHER .50DX.261D	2	1925206						
23	PIN COTTER 1/8X1/2	1	1930204						
24	TIMIGN SHAFT ASSY COMPLETE	1	9779241						
25	LUBE DRY	0.006	1961529						
26	PIVOT PLATE ASSY R.H	1	9778776						
27	SCREW SHLD HEX 1/4-20	2	9779337						
28	KNIFE ASSY	1		9782061	9782060	9781613	9781614	9783615	
29	CABLE CLAMP 5/16 DIA	2	1931013						
30	DEFLECTOR PIN	1		9781322	9781322	9781322	9781322	9781748	
31	CLAMP CABLE 1/2 INCH	2						1931014	
32	GROMMET RUBBER	1	1954025						
33	SCREW PH PAN PAN HD 8-32X1/2 SEMS	7	1911111						
34	THERMISTOR JUMPER	1	9784092						

ITEM	PART DESCRIPTION	QTY	PART NUMBER					ZONE	
			COMMON	9783609 VB-INTL,230 V	9783610 VB-DOM 120 V,BEIGE	9783608 SB-INTL,230 V BEIGE	9783611 SB-DOM,120 V BEIGE		9783612,VB_WRAP,120 V BEIGE
69	NUT HEX 4-40 KEPS	2		1926804		1926804			
70	PRESSURE BAR ASSY COMPL	1		9781323	9781323	9781323	9781323	9781323	
71	SCREW HEX SOC SHLD 1/4X3/8	1	1900806						
72	BUSHING PRESSURE BAR -300	2	9776620						
73	L&T ASSY,GROUND P BAR	1	9783606						
74	SCR HEX SOC SHLD 10-24X1/4X5/8	1	1900833						
75									
76	LOCKWASHER INT TOOTH # 10	1	1925803						
77	NUT HEX 10-32 8-32 KEPS	1	1926803						
78	LOCKWASHER EXT TOOTH # 8	2	1925903						
79	NUT HEX 8-32 KEPS	4 or 7	1926802						
80	LABEL GROUND SYMBOL	1	1124816						9776753
81	BRACKET WIRE RACK	2							1902606
82	SCREW PHIL FLT HD 6-32 X 3/8	4							
83	SLEEVE INS HIGH TEMP 3/8" OD	2	1954423						
84	TIE WRAP	1	1931023						
85	RTV	0.1	1961004						
86	BACKSTOP PAINTED SYS 4	1		9781326	9781326	9781598	9781598		
87	GUIDE ASSY BINDING	1		9778401	9778401	9778401	9778401	9778401	
88	PAINTED BULLNOSE SYS 4	1		9781752	9781752	9781752	9781752	9781752	
89	PLATEN WORKSURFACE	1		9781478	9781478	9781478	9781478	9781478	
90	LED ON GREEN	1	9783664						
91	LED READY YELLOW	1	9783665						
92	SWITCH ROCKER SPOT	2	9781462						
93	SNAP PLUG 22/18 MALE RED	2	1951308						
94	DECAL WORKSURFACE GEDT	1		9781501	9781501	9781501	9781501	9781501	
95	1X11 BLK EQUIP TESTING	A/R		9741010	9741010	1132830	1132830	9741010	
96	OVER SIZE BLK EQUIP TESTING	A/R		9741170	9741170	1132850	1132850	9741170	
97	SCR 10-24X3/4 THD CUT PAINTED			9781502	9781502	9781502	9781502	9781722	
98	TOP ENDCAP INSIDE RIGHT	1		9781473	9781473	9781473	9781743	9781722	
99	RACK WIRE	1						9781729	
100	EXTRUSION FRONT RT PAINTED	1		9781758	9781758	9781758	9781758	9781758	
101	TOP ENDCAP OUTSIDE RIGHT	1		9781476	9781476	9781476	9781476	9781724	
102	TOP ENDCAP INSIDE LEFT	1		9781474	9781474	9781474	9781474	9781721	

103	EXTRUSION FRONT LT PAINTED	1		9781759	9781759	9781759	9781759	9781759	
104	TOP ENDCAP OUTSIDE LEFT	1		9781477	9781477	9781477	9781477	9781723	
105	SCR 10-24X1.5 THD CUT PAINTED	2		9781629	9781629	9781629	9781629		
106	SCR 10-24X.50 TCUT PAINTED	8						9781734	
107	SCR 10-24 TCUT PAINTED	4		9781472	9781472	9781742	9781742	9781742	
108	PLATE BACK COVER LH & RH	2						9781730	
109	PLATEN REAR COVER	1						9781747	
110	PLATE HEATSINK 1.75X14.60	1						9781816	
111	ENDCAP LEFT	1		9781479	9781479	9781479	9781479	9781479	
112	ENDCAP RIGHT	1		9781480	9781480	9781480	9781480	9781480	
113	SCR 10-24X3/8 PH PAN HD TYPE F	4	1907837						
114	CAUTION LABEL	1		6009001	6009000	6009001	6009000	6009000	
115	PATENT LABEL	1	9702048						
116	LABEL FUSE	1		1963914	1963910	1963914	1963910	1963910	
117	LABEL CAUTION HOT SURFACE	2		9781617	9781618	9781617	9781618	9781618	
118	THERMAL FUSE LABEL	1							
119	CSA NRT/LC LABEL	1			6009413		6009078	6009078	
120	LBL CE MARK .975IN	1		6009178		6009178			
121	LABEL DENTORI SYS 4	1							
122	TUV PRODUCT SERVICE GS LABEL	1		1128417		1128417			
123	CAN,CLA LABEL	1			6009247				
124	LBL,FCC COMPLIANCE	1			6009106				

ELECTRICAL SCHEMATIC SYSTEM FOUR

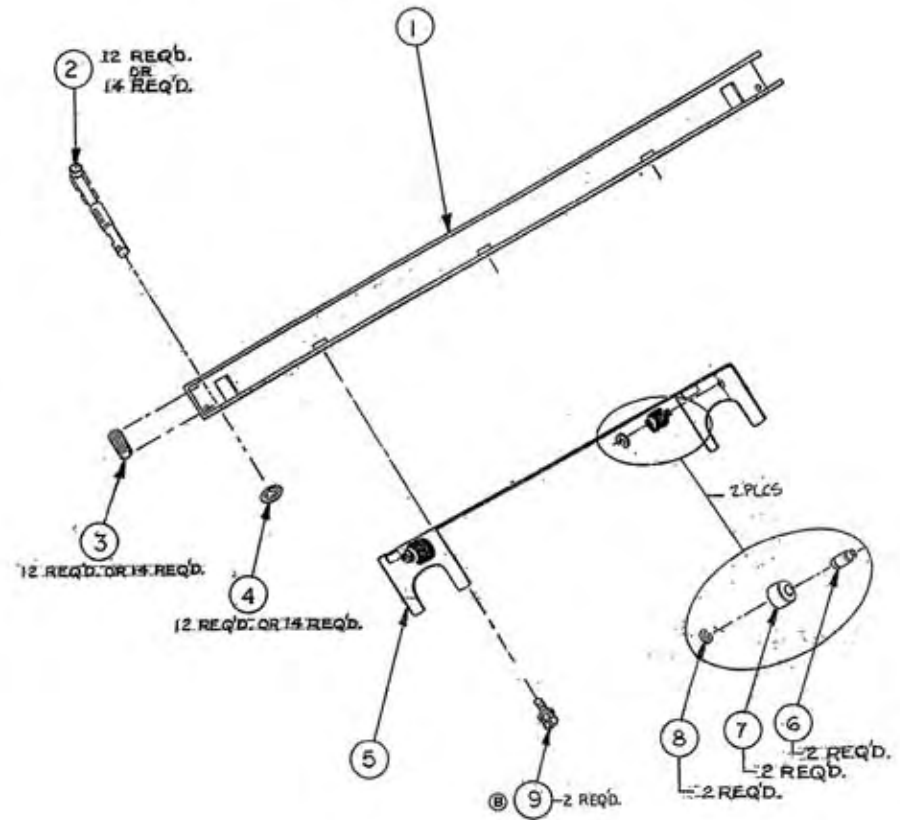
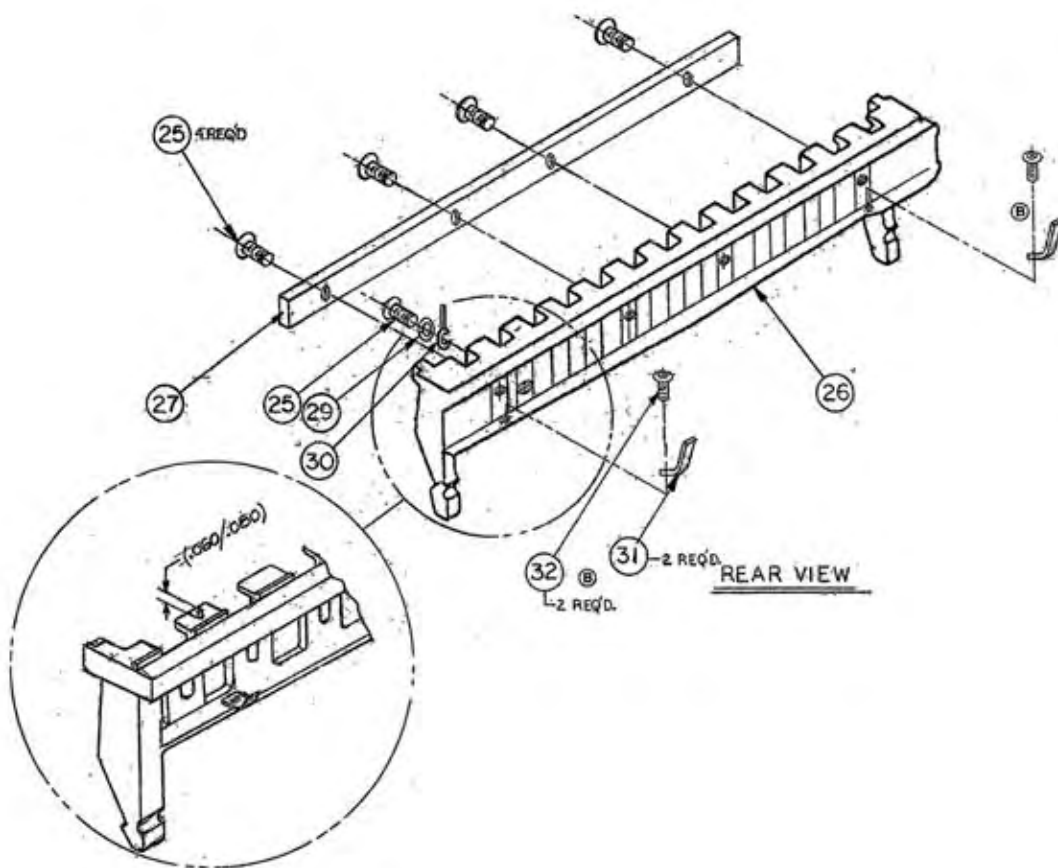




BRIDGE ASSY. COMPLETE

Notes:

- 1) Use Arbor press to form Rivet Cam Follower, item #6, into Bracket Cooling Sys 4, item # 5.
- 2) Install Locating Pin, item #30, with loop opening facing direction as shown.
- 3) Use a binding strip to set Locating Pin height.

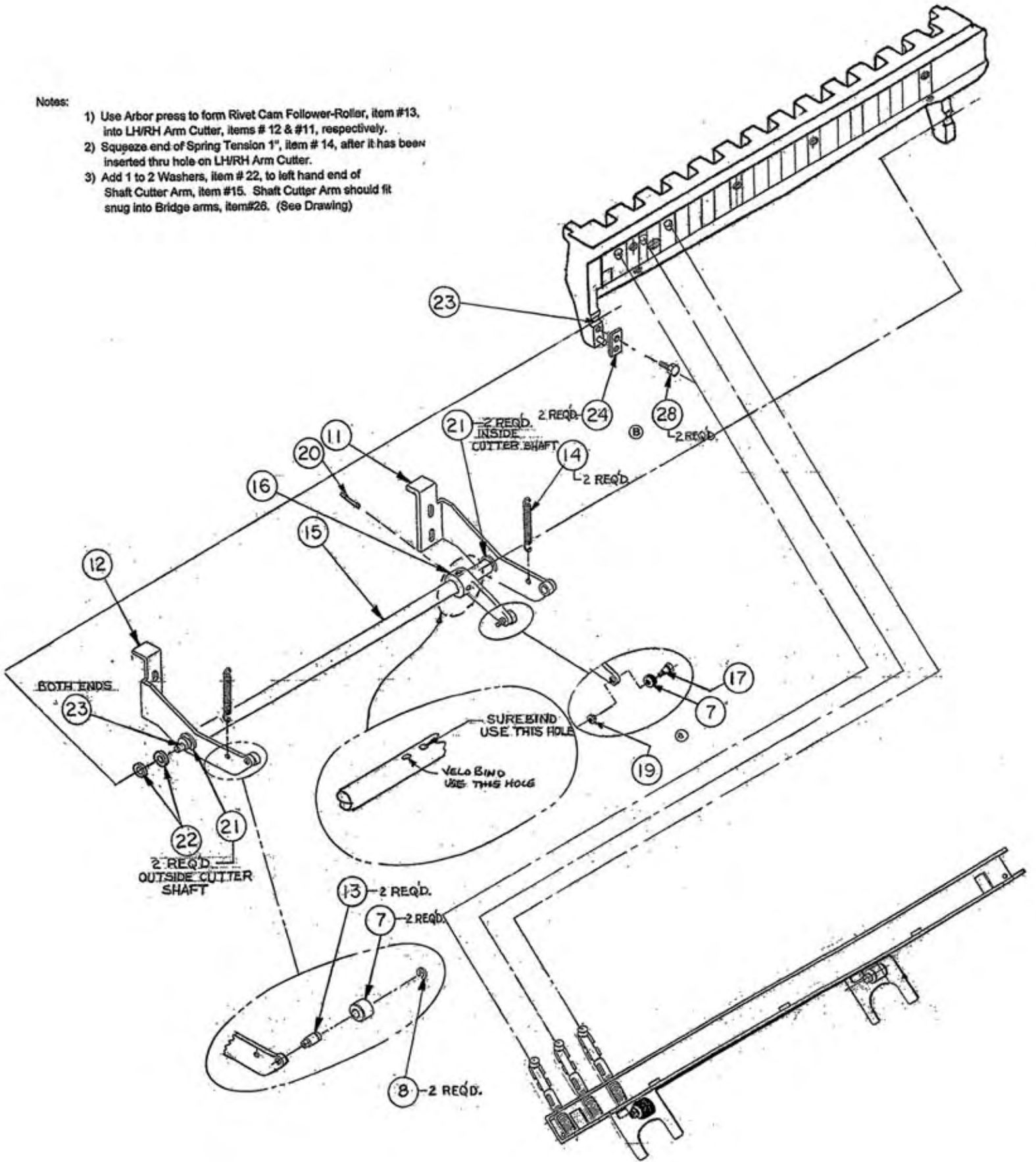


DETAIL "A"
(VIEW SHOWING PIN LOCATION, IN PLACE.)

BRIDGE ASSY. COMPLETE

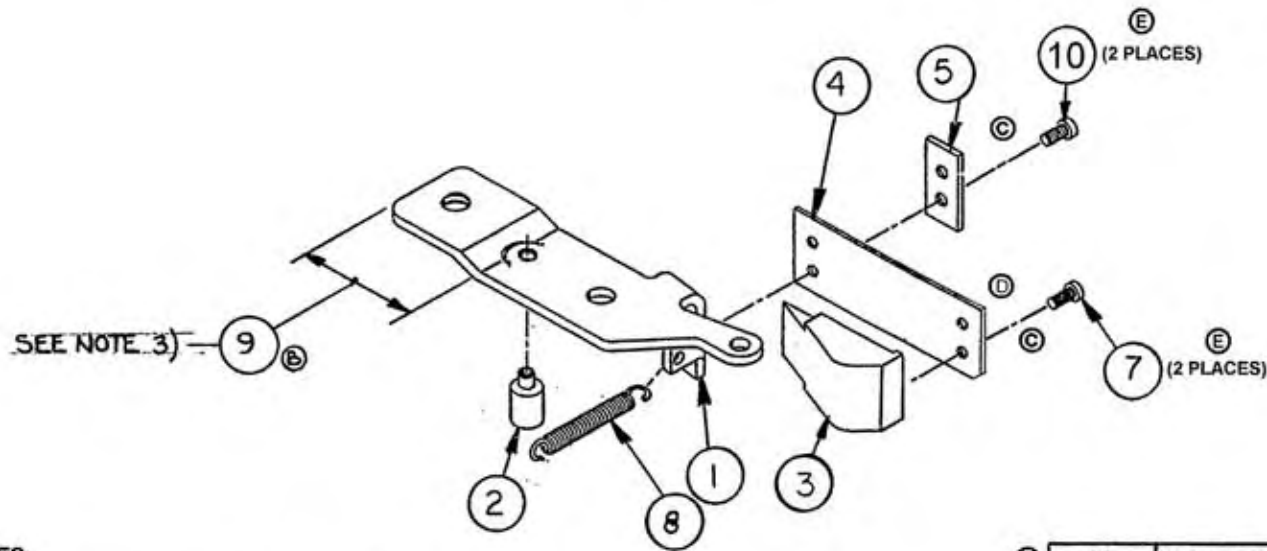
Notes:

- 1) Use Arbor press to form Rivet Cam Follower-Roller, item #13, into LHRH Arm Cutter, items # 12 & #11, respectively.
- 2) Squeeze end of Spring Tension 1", item # 14, after it has been inserted thru hole on LHRH Arm Cutter.
- 3) Add 1 to 2 Washers, item # 22, to left hand end of Shaft Cutter Arm, item #15. Shaft Cutter Arm should fit snug into Bridge arms, item#28. (See Drawing)



(B)	33							
(B)	32	SCR THD CUT PH PAN HD 6-32X3/8 STAR	2	1911503				
	31	STOP COOLING FINGER	2	9778416				
(D1)	30	PIN-STRIP LOCATING	1		9781894	9781894	9781894	9781894
	29	LOCK-WASHER INT TOOTH #10	1	1925803				
(B)	28	SCR THD CUT PH PAN HD 8-32X1/2 STAR	2	1911504				
	27	BRACKET STRIPPER	1		9776731	9781596	9781755	NONE
	26	BRIDGE MACHINED	1		9776700	9781597	9776700	9784052
	25	SCREW THD CUT PH 10-32 X 1/2	5	1907839				
	24	PLATE CUTTER ARM SHAFT RETAINER	2	9778751				
	23	GREASE LUBRICATING	A/R	1961503				
	22	WASHER	2	1925206				
	21	RETAINING RING E .500 SHAFT	4	1930522				
	20	ROLL PIN .125 X1.00	1	1929206				
(B)	19	NUT HEX 8-32 KEPS	1	1926802				
(B)	18							
	17	SCREW SHLD HEX 8-32	1	9779346				
	16	EXTRUDER ARM	1	9776376				
	15	SHAFT CUTTER ARM	1	9779235				
	14	SPRING TENSION 1"	2	9779278				
	13	RIVET CAM FOLLOWER-ROLLER	2	9779061				
	12	ARM CUTTER LH	1		9776382	9776382	9776393	9776382
	11	ARM CUTTER RH	1		9776381	9776381	9776392	9776381
(B)	10							
(B)	9	SCREW PH PAN HD 6-32X3/8 SEMS	2	1911116				
	8	CRESCENT RING.	4	1930508				
	7	ROLLER CUTTER ARM	5	9779084				
	6	RIVET CAM FOLLOWER - ROLLER	2	9779062				
	5	BRACKET COOLING SYS 4	1		9780060	9781594	9780060	9780060
	4	RING RETAINING	12 OR 14	1932502	QTY = 14	QTY = 12	QTY = 14	QTY=14
	3	SPRING COOLING PIN	12 OR 14	9779272	QTY = 14	QTY = 12	QTY = 14	QTY=14
	2	PIN-COOLING (DIE CAST)	12 OR 14	9778687	QTY = 14	QTY = 12	QTY = 14	QTY=14
	1	CHANNEL COOLING SYS 4	1		9776845	9781593	9776845	9776845
Item No.	PART DESCRIPTION	QUANTITY	COMMON	(9779887) VELOBIND	(9781611) SUREBIND	(9783614) WRAP-VB	9784053 SYS 3PRO-1 VELOBIND WRAP	(C)
				PART NO.				

RIGHT HAND PIVOT PLATE ASSY.



NOTES:

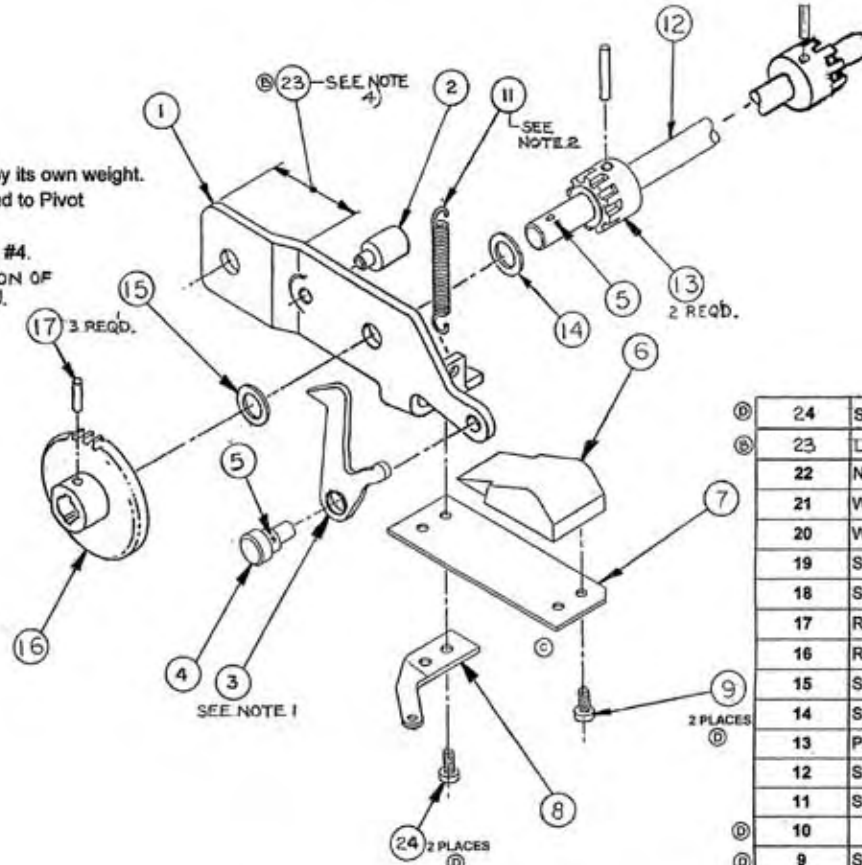
- 1) Use Arbor press to form Rivet Rack Stud, item #2, into Plate Pivot RH, item # 1.
- 2) Squeeze end of Spring Tension, item # 8. After it has been inserted thru hole on Plate Pivot RH.
- 3) APPLY LUBE DRY, ITEM 9, ON END PORTION (BOTTOM SURFACE) OF PIVOT PLATE, ITEM 1, AS SHOWN.

E	10	SCR PHIL PAN HD 6-32 X 3/8 STAR	2	1911116	
B	9	LUBE DRY	A/R	1961529	
	8	SPRING TENSION 1-1/2"	1	9779274	
E	C	7	SCR THD CUT PH PAN HD 6-32X 3/8 STAR	2	1911503
C	6				
	6	RETAINER FLAT SPRING	1	9779088	
	4	SPRING FLAT	1	9779263	
	3	CAM FOLLOWER PRESSURE	1	9776847	
	2	RIVET RACK STUD	1	9779059	
	1	PLATE PIVOT RH	1	9778740	
	Item No.	PART DESCRIPTION	QUANTITY	PART NO.	

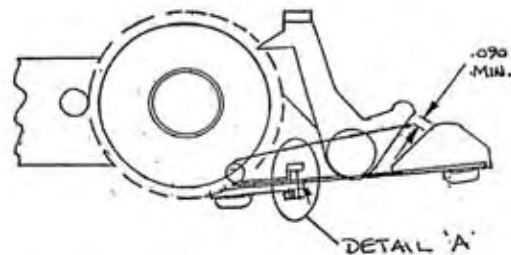
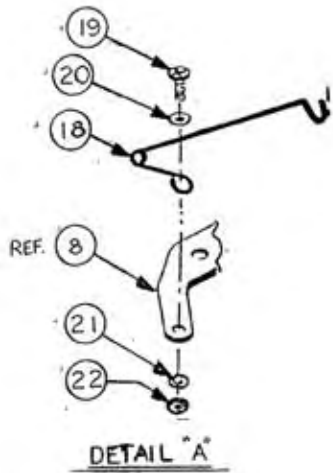
TIMING SHAFT ASSY. COMPLETE

NOTES:

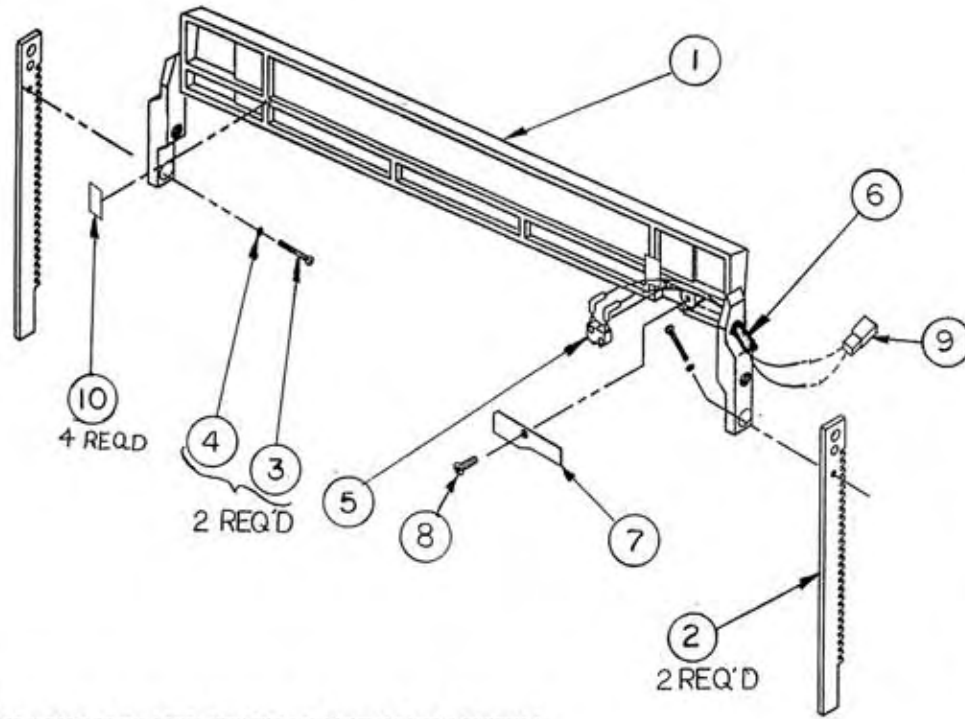
- 1) Pawl Pressure, item # 3, must rotate freely by its own weight.
- 2) Hook on Spring, item # 11, should be secured to Pivot Plate LH, item #1.
- 3) Use Arbor press to secure studs, items #2 & #4.
- ④ 4) APPLY LUBE DRY, ITEM 23, ON END PORTION OF PIVOT PLATE, ITEM 1, ON THE SIDE SHOWN.



②	24	SCR PHIL PAN HD 6-32 X 3/8 STAR	2	1911116
②	23	LUBE DRY	A/R	1961529
	22	NUT HEX 4-40	1	1926711
	21	WASHER MEDIUM SPLIT LOCK #4	1	1926007
	20	WASHER FLAT .125ID	1	1925012
	19	SCREW HEX SOC CAP 4-40X3/8	1	1900501
	18	SPRING PAWL	1	9779280
	17	ROLL PIN 3/4"	3	1929203
	16	RATCHET 36 TEETH	1	9779085
	15	SPACER .62X .377X .020 THK	1	9779255
	14	SPACER .377ID X .56OD	1	9779256
	13	PINION GEAR FINISHED	2	9778765
	12	SHAFT TIMING	1	9779240
	11	SPRING TENSION 1-1/2"	1	9779274
②	10			
②	9	SCR THD CUT PH PAN HD 6-32X3/8, STAR	2	1911503
	8	RETAINER FLAT SPRING PIVOT LH	1	9779087
	7	SPRING FLAT	1	9779283
	6	CAM FOLLOWER PRESSURE	1	9776847
	5	GREASE LUBRICATING	A/R	1961503
	4	RIVET PIVOT PLATE TRUNNION	1	9779058
	3	PAWL PRESSURE	1	9778774
	2	RIVET RACK STUD	1	9779059
	1	PLATE PIVOT LH	1	9778741
Item No.	PART DESCRIPTION	QUANTITY	PART NO.	



PRESSURE BAR ASSY. - SYS 3 PRO & SYS 4

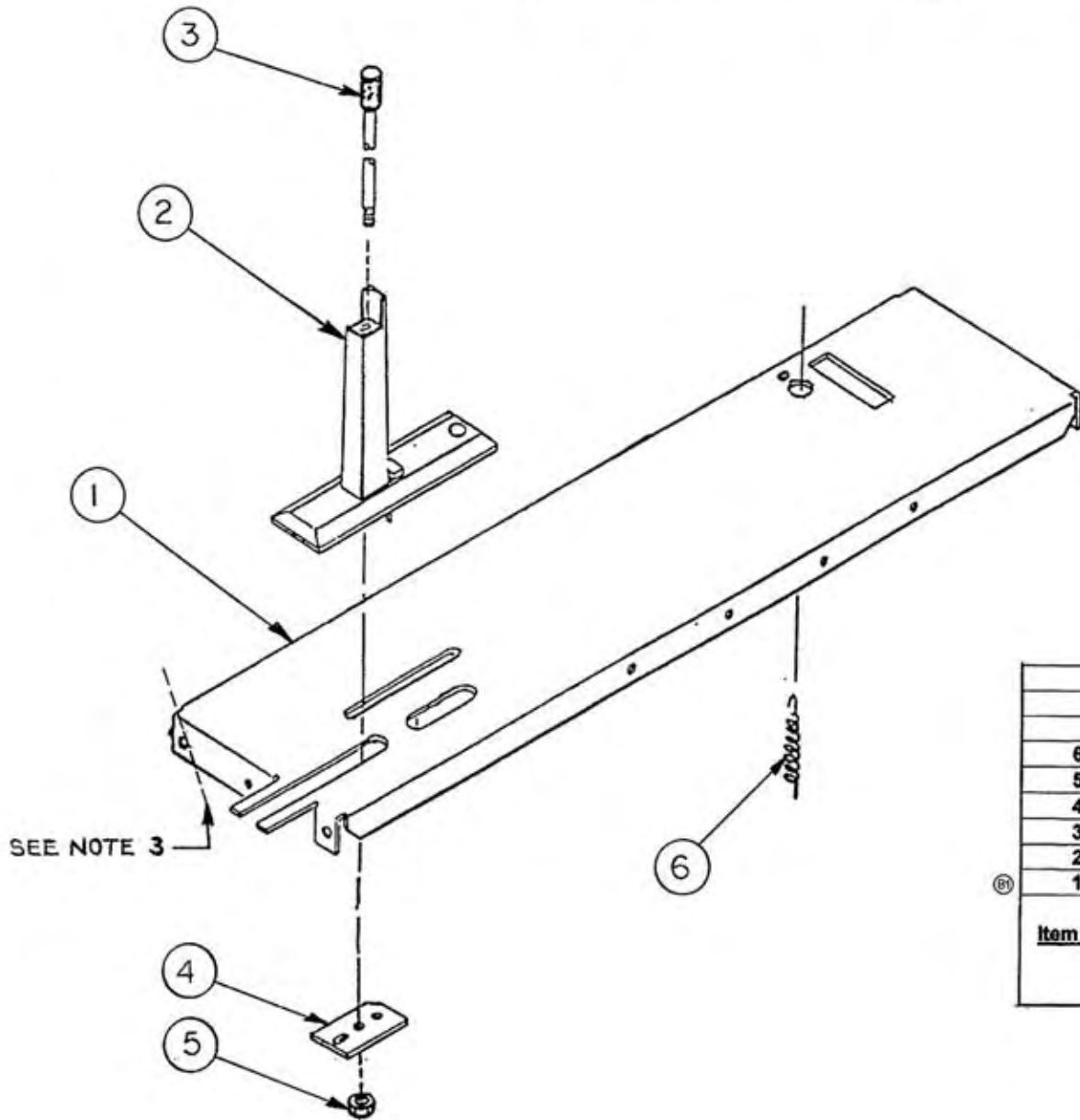


NOTE

1. ITEM 10 IS PART OF THE LABEL KITS FOR THE SYSTEM 3 PRO & SYSTEM 4 VELOBIND & SUREBIND MACHINES PART NUMBERS 7705129, 7705130, 7705131 & 7705132

10	PAD SPACER	2	9781469
9	CONN PLUG 2 PIN MOLE.X .062	1	1851308
8	SCR THD CUT PH FL HD 2-56 X 3/16	1	1907815
7	BRACKET SWITCH	1	9776734
6	SHRINK TUBING .125X.020	0.0833	1954340
5	SWITCH ASSY PRESSURE BAR, SYS 3 Pro/SYS 4	1	9783663
4	WASHER MEDIUM SPLIT LOCK #10	2	1926016
3	SCREW PH PAN HD 10-24X1/2	2	1902873
2	RACK PRESSURE BAR	2	9779044
1	PRESSURE BAR SYS 4	1	7705067
Item No.	PART DESCRIPTION	QUANTITY	PART NO.

EDGE GUIDE ASSY. SYSTEM FOUR GRAY



NOTES:

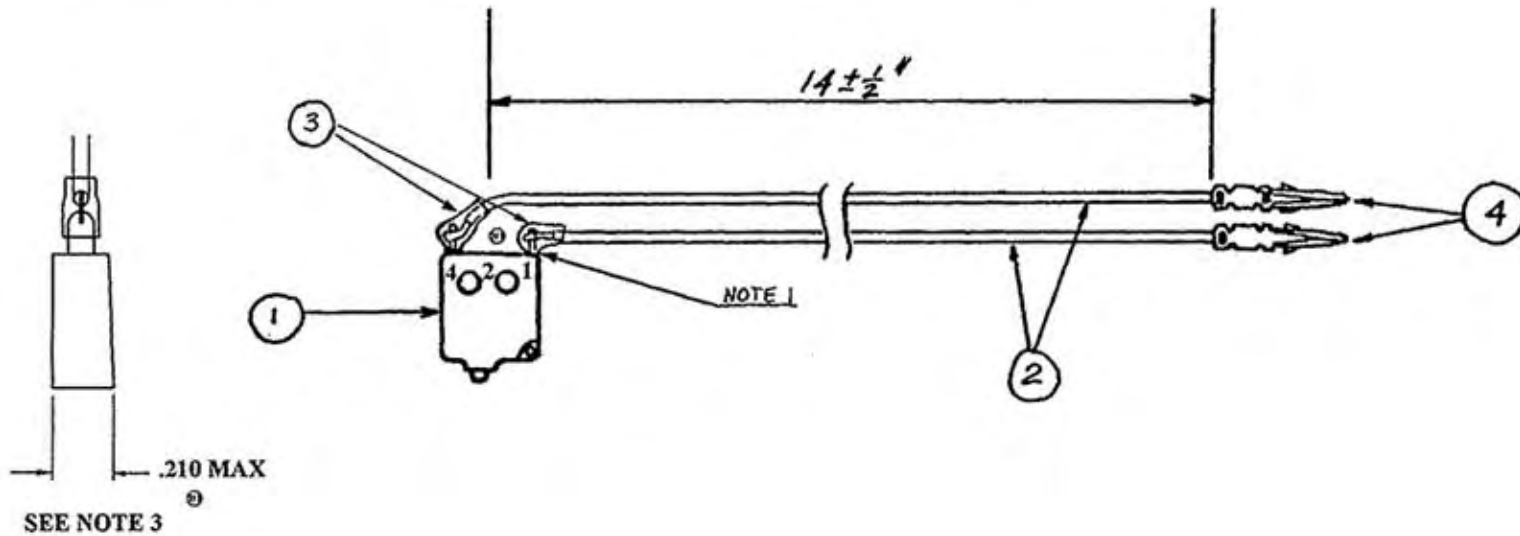
- 1) Hook on Spring, item# 6, should be secured to Support Guide, item # 1.
- 2) Loosen nut, item # 5, 1/2 turn from its snug tight position.
- 3) Trim off marked corner approximately 45 Deg. as shown.

6	SPRING EXTENSION 1-3/4"	1	9779260
5	NUT LOCK 10-32	1	1927407
4	PLATE RETAINING	1	9778756
3	KNOB EDGE GUIDE BIND	1	9778317
2	GUIDE EDGE BIND	1	7705069
1	SUPPORT PAPER BIND GUIDE	1	9779363
Item No.	PART DESCRIPTION	QUANTITY	(9778401)
			PART NO.

SWITCH ASSY. PRESSURE BAR COMPLETE

NOTES:

1. REMOVE TERMINAL #2 (NC), SNIP CLOSE TO BODY OF SWITCH (POSITION OF TERMINALS MAY BE DIFFERENT, THAN SHOWN ON DRAWING).
2. ITEM 3 MUST COMPLETELY COVER SWITCH TERMINALS #1 (COM) AND #4 (NO)
- ⊕3. HEAT SHRINK INSULATION SHOULD NOT EXCEED WIDTH OF SWITCH (.210 MAX)

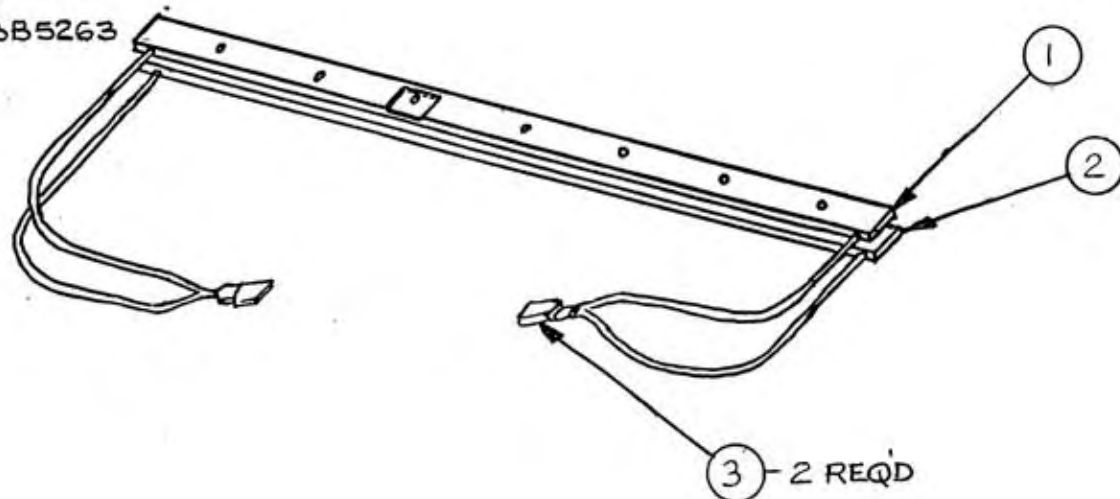


ITEM	DESCRIPTION	MANUFACTURER	MFR. P/N	QTY.	GBC P/N (REF.)	REMARKS
⊕ 1	SWITCH PRESSURE BAR	BURGESS	F417-UL	1	9780088	
⊕ 2	WIRE 24 AWG BLACK, 14"	BELDEN	STYLE 8890		9777055	OR EQUIVALENT
⊕ 3	INSULATING SHRINK TUBING 1/2" LONG	CO RALLY	HIX 1/8-CLASS 1	2	1954340	OR EQUIVALENT
4	TERMINAL .062 DIA MALE 1560 SER.	MOLEX	02-06-2101	2	1950732	

HEATER ASSY. 120 V COMPLETE

NOTES:

1. SURFACE MARKED WITH "HEAT SIDE" ON BOTH THE ITEM ① & ITEM ② SHOULD FACE EACH OTHER.
2. TERMINALS, ITEM ③, SHOULD BE U.L. & C.S.A. APPROVED.
EITHER i) INSULATED WITH HEAT SHRINKABLE TUBING.
 - ETCO D263E HB OR
 - ETCO D263E THB OR
 - MOLEX BB4177 OR
 OR ii) INSULATED
 - MOLEX BB5263



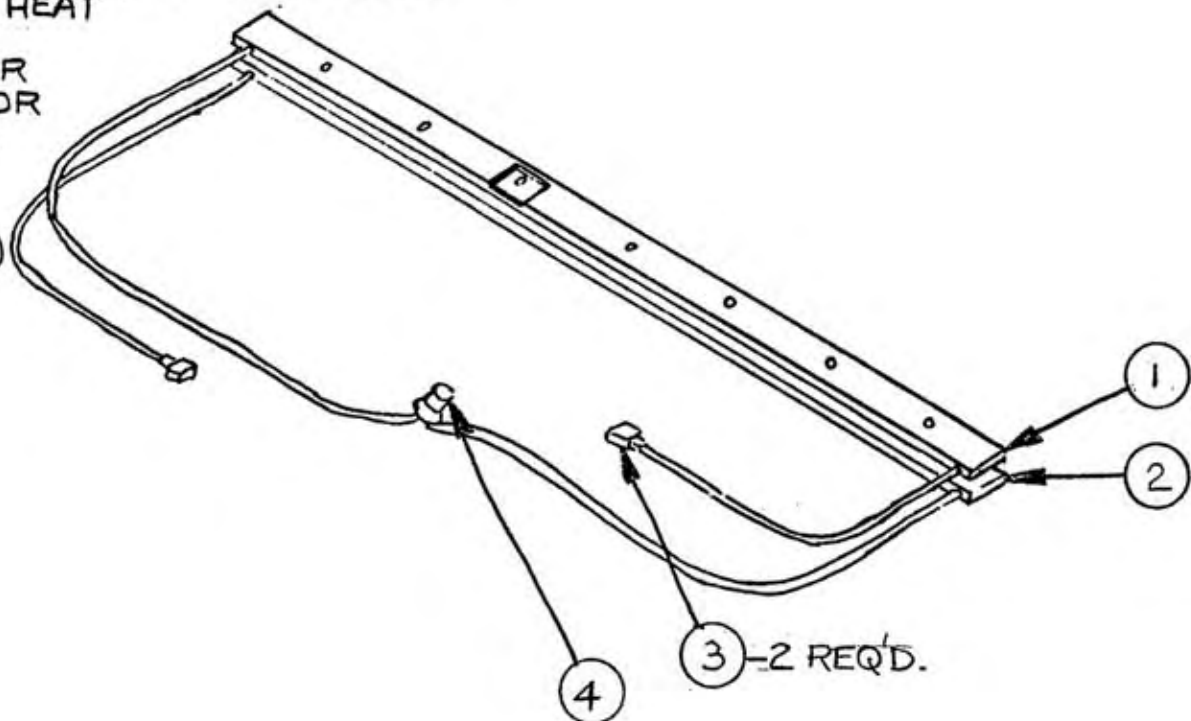
SEE NOTE 2

-	3	-	TERMINAL, FEMALE ^{FULLY .25} _{INSUL. X.032}	2	
2400870	2	9778226	LOWER HEATER	1	
2400866	1	9778217	UPPER HEATER	1	
VB PART NO.	ITEM NO.	PART NO.	DESCRIPTION	QTY.	ZONE

HEATER ASSY 230 V COMPLETE

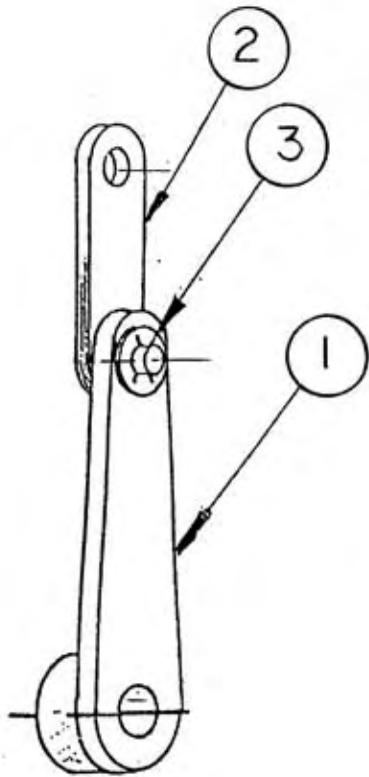
NOTES:

1. SURFACE MARKED WITH "HEAT SIDE" ON BOTH THE ITEM 1 & ITEM 2 SHOULD FACE EACH OTHER.
2. TERMINALS, ITEM 3, SHOULD BE U.L. & C.S.A. APPROVED. EITHER i) INSULATED WITH HEAT SHRINKABLE TUBING.
 - ⓑ • ETCO: D163E-NHB OR
 - ⓑ • ETCO: D163E-NTHB OR
 - ⓑ • MOLEX: AA-4176 OR
 - i) INSULATED
 - ⓑ • MOLEX: AA-5261
3. CLOSED END CONNECTOR (SPICE) SHOULD BE MOLEX P/N NC-2214 OR ANY OTHER EQUIVALENT, APPROVED BY U.L. & C.S.A.



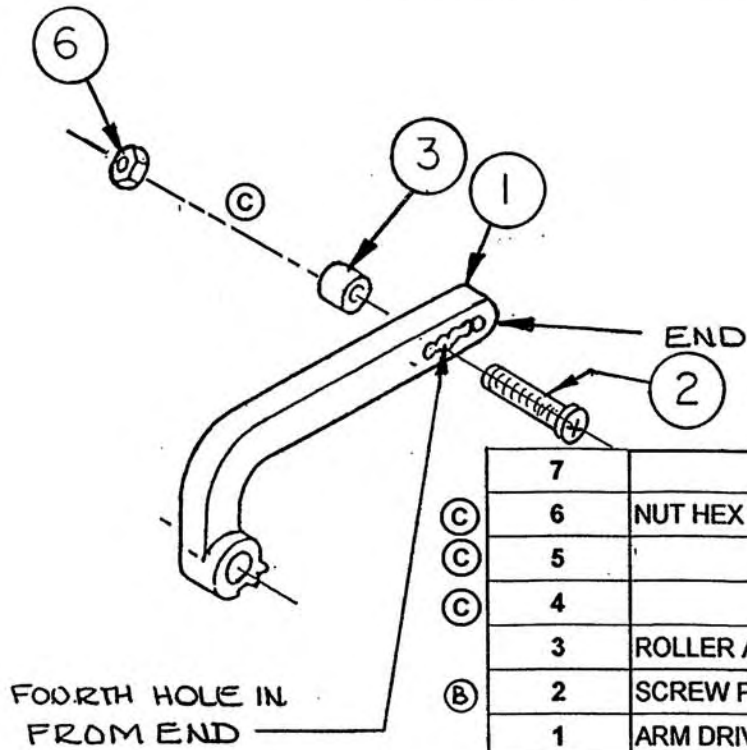
VB PART NO.	ITEM NO.	PART NO.	DESCRIPTION	QTY.	ZONE
—	4	—	CONNECTOR SPLICE, NYL 22-14AWG	1	
—	3	—	TERMINAL FEMALE - FULLY INSULATED .25 X .032	2	
2400870	2	9778226	LOWER HEATER	1	
2400866	1	9778217	UPPER HEATER	1	

PRESSURE BAR LINKAGE ASSY.



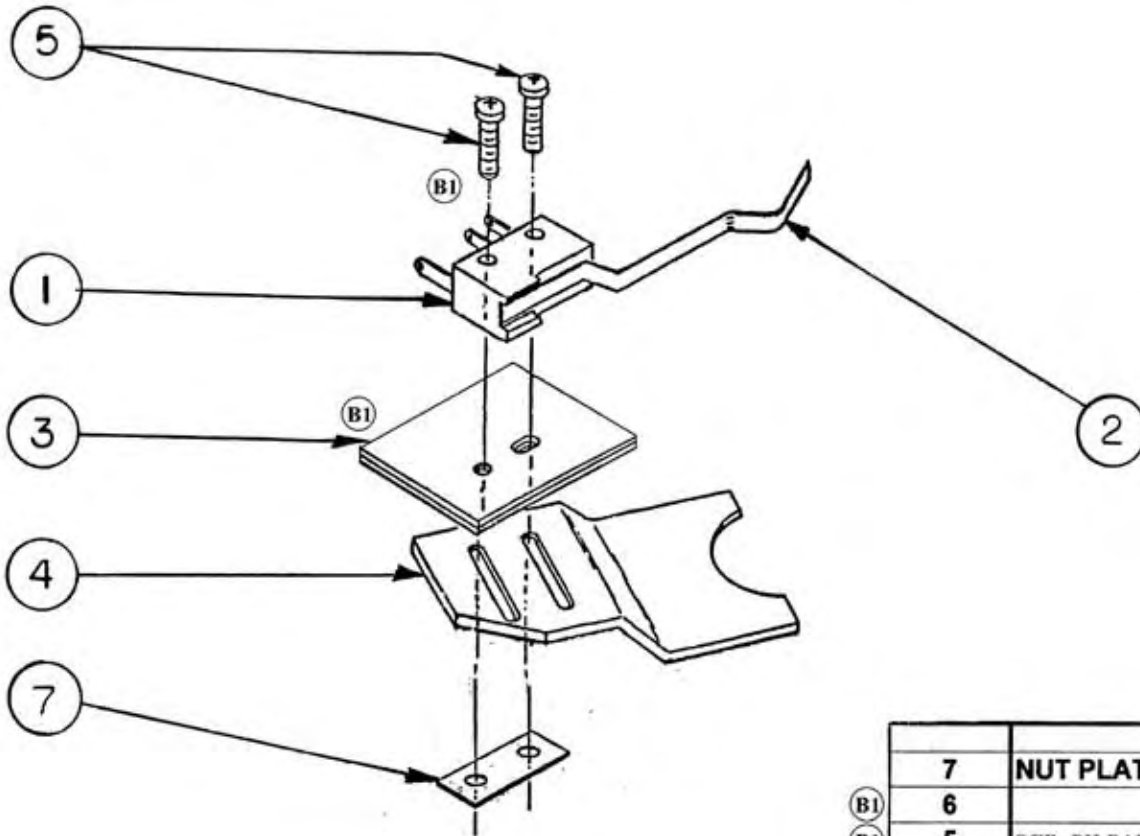
4			
3	NUT, SPEED .56 DIA.	1	1928906
2	LINK PRESSURE BAR RETURN	1	9778460
1	ARM PRESSURE BAR RETURN	1	9776380
<u>Item No.</u>	<u>PART DESCRIPTION</u>	<u>QUANTITY</u>	<u>PART NO.</u>

DRIVE ARM ASSY. PRESSURE BAR



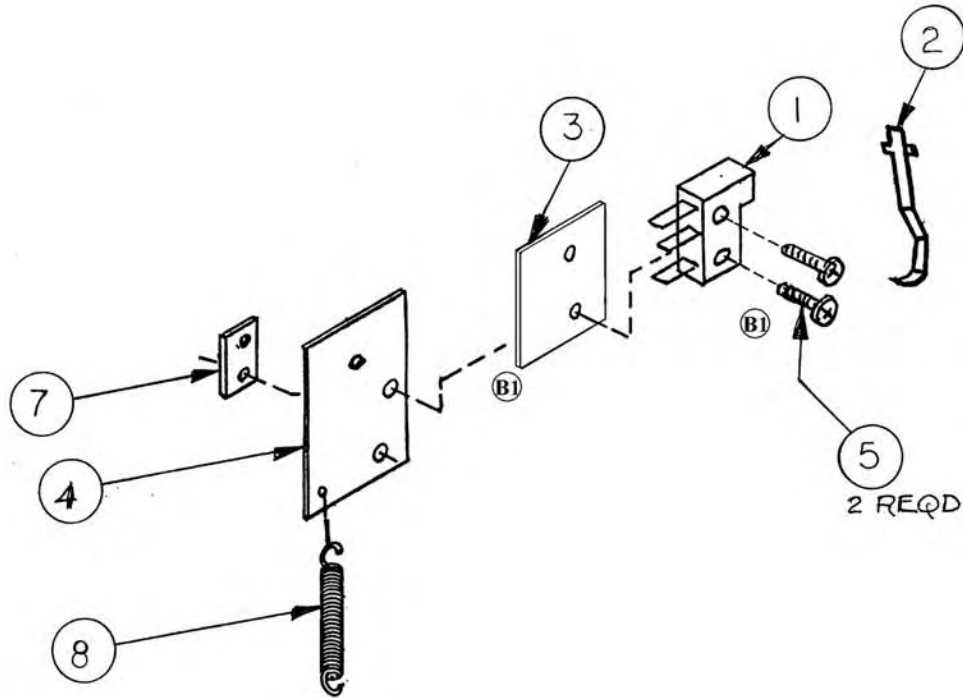
7			
C	6	NUT HEX 4-40 KEPS	1 1926804
C	5		
C	4		
	3	ROLLER ARM DRIVE	1 9779090
B	2	SCREW PH PAN HD 4-40X 5/8"	1 1902834
	1	ARM DRIVE	1 9776394
<u>Item No.</u>	<u>PART DESCRIPTION</u>	<u>QUANTITY</u>	<u>PART NO.</u>

SWITCH ASSY. S13 - BIND TIMING (DRIVE ARM)



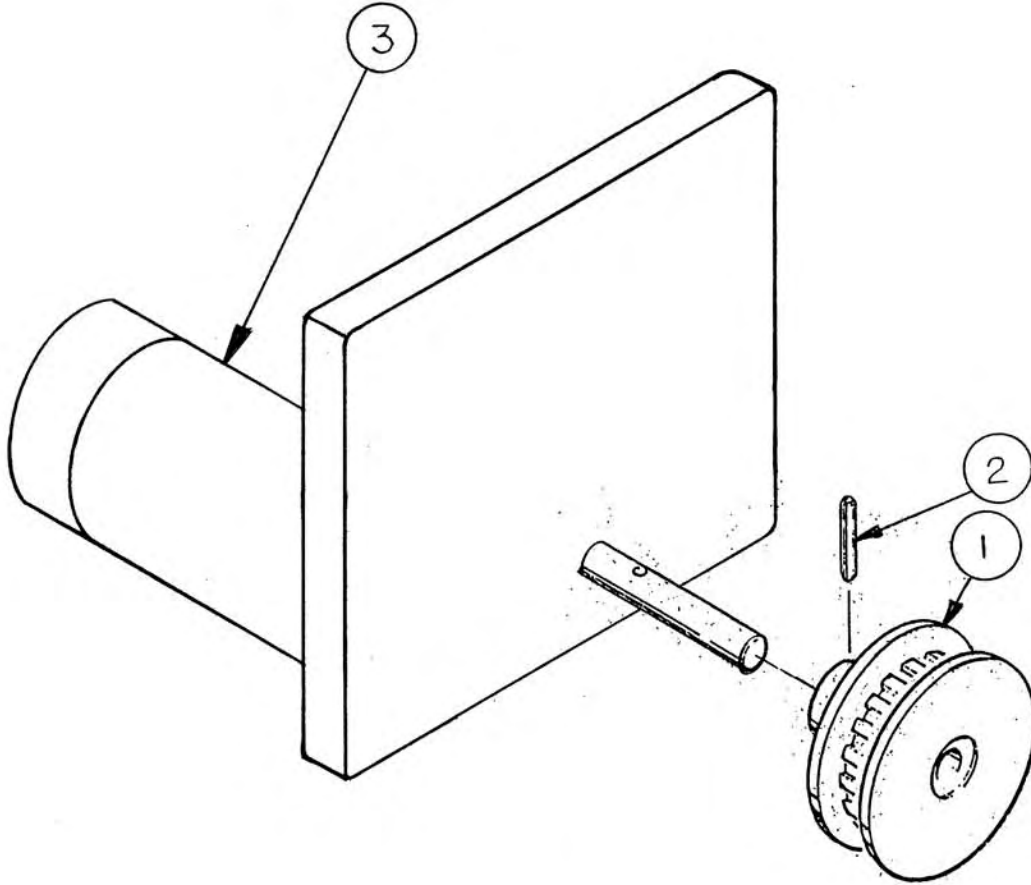
	7	NUT PLATE SWITCH #2-56	9778618	1	
(B1)	6				
(B1)	5	SCR. PH PAN HD W/STAR WSHR. 2-56X1/2	1911135	2	
	4	BRACKET ADJUSTING	9776958	1	
(B1)	3	INSULATOR SUBMINIATURE SWITCH	9783651	1	
	2	ACTUATOR PUNCH SWITCH 300	9776354	1	
	1	SWITCH SNAP ACTION	9779311	1	
	ITEM #	PART DESCRIPTION	PART #	QTY.	ZONE

SWITCH ASSY S22 CAM / SOLENOID



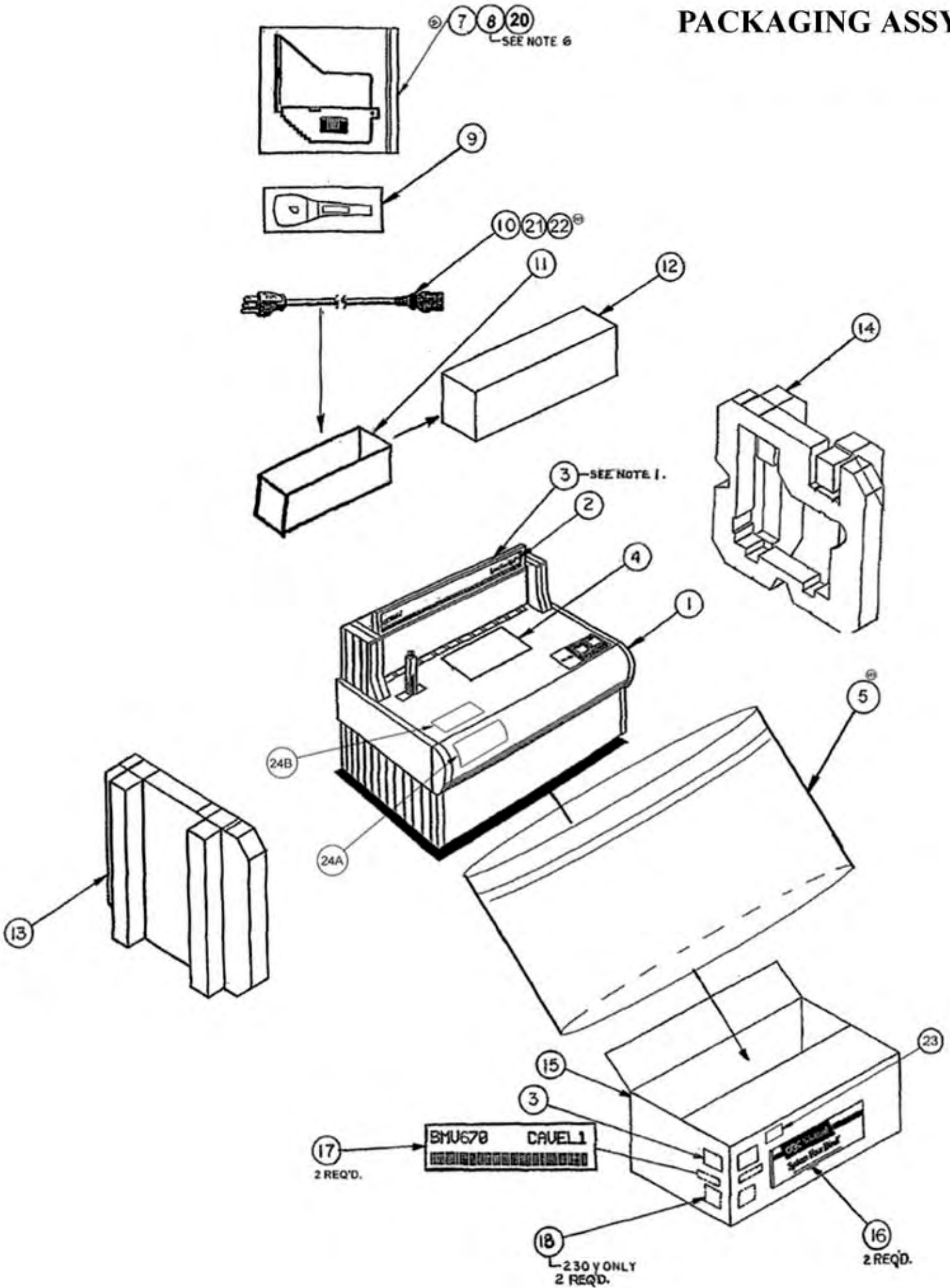
8	SPRING EXTENTION 3/8 X 2.25	9776605	1	
7	NUT PLATE SWITCH #2-56	9778618	1	
(B1) 6				
(B1) 5	SCR. PH PAN HD W/STAR WSHR. 2-56X1/2	1911135	2	
4	BRACKET ADJUSTING SOLENOID	9780061	1	
(B1) 3	INSULATOR SWITCH, SUBMINIATURE	9783651	1	
2	ACTUATOR PUNCH SWITCH 300	9776354	1	
1	SWITCH SNAP ACTION	9779311	1	
ITEM #	PART DESCRIPTION	PART #	QTY.	ZONE

PULLEY & BIND MOTOR ASSY.



3	9778565	BIND MOTOR	1	
2	1929203	ROLL PIN	1	
1	9778704	PULLEY, BIND MOTOR	1	
ITEM NO.	PART NO.	DESCRIPTION	QTY.	ZONE

PACKAGING ASSY



24B	GBC LOGO LABEL DARK GRAY	1	----	7704953	7704953	*	7704953	7704953	*	*
24A	SYS 4 LOGO LABEL	1	----	7705076	7705076	*	7705045	7705045	*	*
24	LABEL KIT	1	----	7705132	7705132	7705132	7705131	7705131	7705132	7705132
23	LABEL POWER CORD, EUROPE	1	----	----	----	----	6009405	----	----	----
22	POWER CORD, SWITZERLAND	1	----	----	----	----	6200015	----	----	----
21	POWER CORD, UK	1	----	----	----	----	6200014	----	----	----
20	BROUCHER GBC EMA BENEFITS	1	----	----	1630024	----	----	1630024	----	----
19	STAPLE	20	1929306							
18	LBL CE MARK .875IN	2		6009178	----	----	6009178	----	----	----
17	LABEL GENERIC 2" X 3"	2		----	----	----	----	----	----	----
16	LABEL CARTON SYS 4	2		9781409	9781409	9781415	9781665	9781665	9781409	----
15	CARTON SYS 4	1		9781327	9781327	9781327	9781327	9781327	9781327	7704932
14	END CAP RIGHT SYS 4	1	9781548							
13	END CAP LEFT SYS 4	1	9781547							
12	SLEEVE WASTE TRAY SYS 4	1	9781329							
11	WASTE TRAY SYS 4	1		7705048	7705048	7705048	7705048	7705048	9781330	7705048
10	POWER CORD	1		6200002	6200001	6200001	6200002	6200001	6200001	6200001
9	DEBINDER MODEL 31 GENERIC	1		7705047	7705047	7705047	7705047	7705047	9776001	7705047
8	INSTRUCTION OPRT WRP	1		----	----	----	----	----	9781733	----
7	UTILITY PACK, SYS 4	1		9783624	9783624	9783627	9783626	9783628	9783624	7704935
6										
5	PLASTIC BAG 33 X 39"	1	9776234							
4	INSTR PRESSURE BAR SYS 4	1	9781328							
3	GBC NAMEPLATE & LABEL	1		1155000	1155000	1155011	1155000	1155000	1155000	1155018
2	LOGO PB SYS 4	1							9781326	7704933
1	FINAL ASSY., SYS 4	1		7705051	7705061	7705061	7705041	7705071	9783612	7705061
			COMMON	9707026	9707027	9707038	9707052	9707055	9707061	7704930
				VB-INT'L	VB-DOM	GUSA-DOM	SB- 230V	SB-DOM	WRP.ARND	ibico
				VB-230V	VB-120V	QB/VB. 120V		SB. 120V	VB-120V	540vB-115V
ITEM #	PART DESCRIPTION	QTY.		GRAY	GRAY	GRAY	GRAY	GRAY	(J1)	GRAY

OBSOLETE (N)