



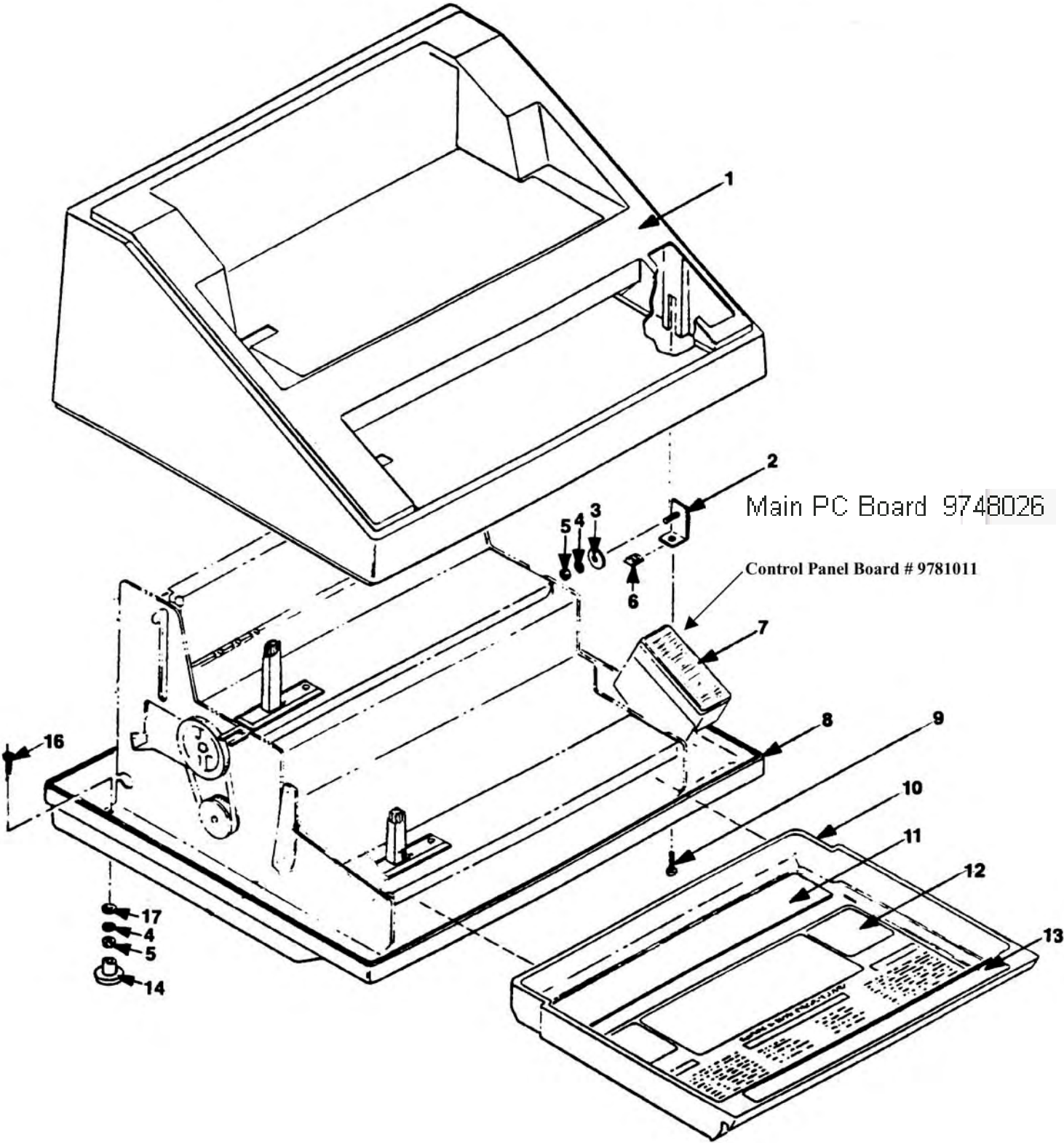
# 750B

## Parts List



GBC IS AN ACCO BRANDS COMPANY

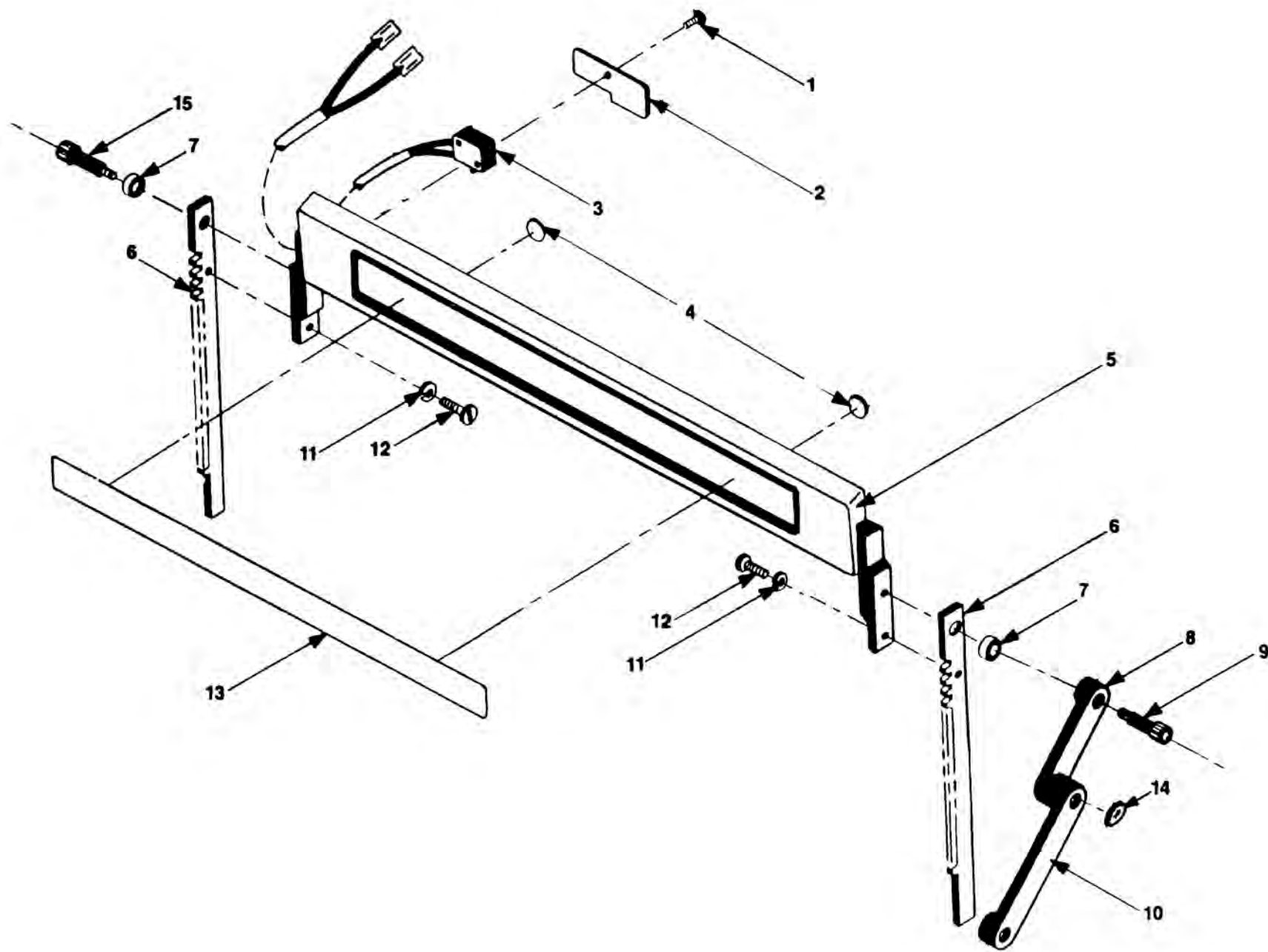
# HOUSING TO BASE ASSEMBLY



HOUSING TO BASE ASSEMBLY PART NUMBER GUIDE

ITEM #	OLD PART NUMBER	NEW PART NUMBER	DESCRIPTION	QTY PER
1	36100049	9748036	Housing Assembly (Grey)	1
2	1206163	9776720	Housing Mounting Bracket	4
3	5100302-01	9779928	#10 Flat Washer	4
4	5100067-01	9779912	#10 Lock Washer	10
5	3501025-01	9778590	#10 Hex Nut	10
6	3502719	9778610	#10 Tinnerman Nut	4
7	36100029	9781022	R. H. Switch Panel, Grey	1
		9781003	R. H. Switch Panel, Dk Grey	1
	59300002	9748027	Switch Membrane UPROC	1
		9781788	Switch Membrane, 230 V	1
8	2400869-06	9778223	Base (Grey)	1
	2400869-07	9778224	Base (Lt. Grey)	1
9	4301563-16	9779206	10/16 X 1-1/4" Phillips Screw	4
10	4507551-05	9779439	Debris Tray (Grey)	1
	4507551-06	9779440	Debris Tray (Lt. Grey)	1
11	4330128	9779365	Foam Tray Strip	1
12	10202700	9776414	Operating Instructions (115V)	1
	10205300	9776428	Operating Instructions (240V)	1
	10205400	9776429	Operating Instructions (Sp)	1
	10205500	9776430	Operating Instructions (Fr)	1
	10205600	9776431	Operating Instructions (Ger)	1
13	N/A	N/A	Sales Decal	1
14	2001314	9778089	Rubber Foot	4
15	NOT USED			
16	4300886-15	9779179	10/24 X 1-1/8 Screw	4
17	5100167-01	9779918	#10 Flat Washer	4

# PRESSURE BAR ASSEMBLY



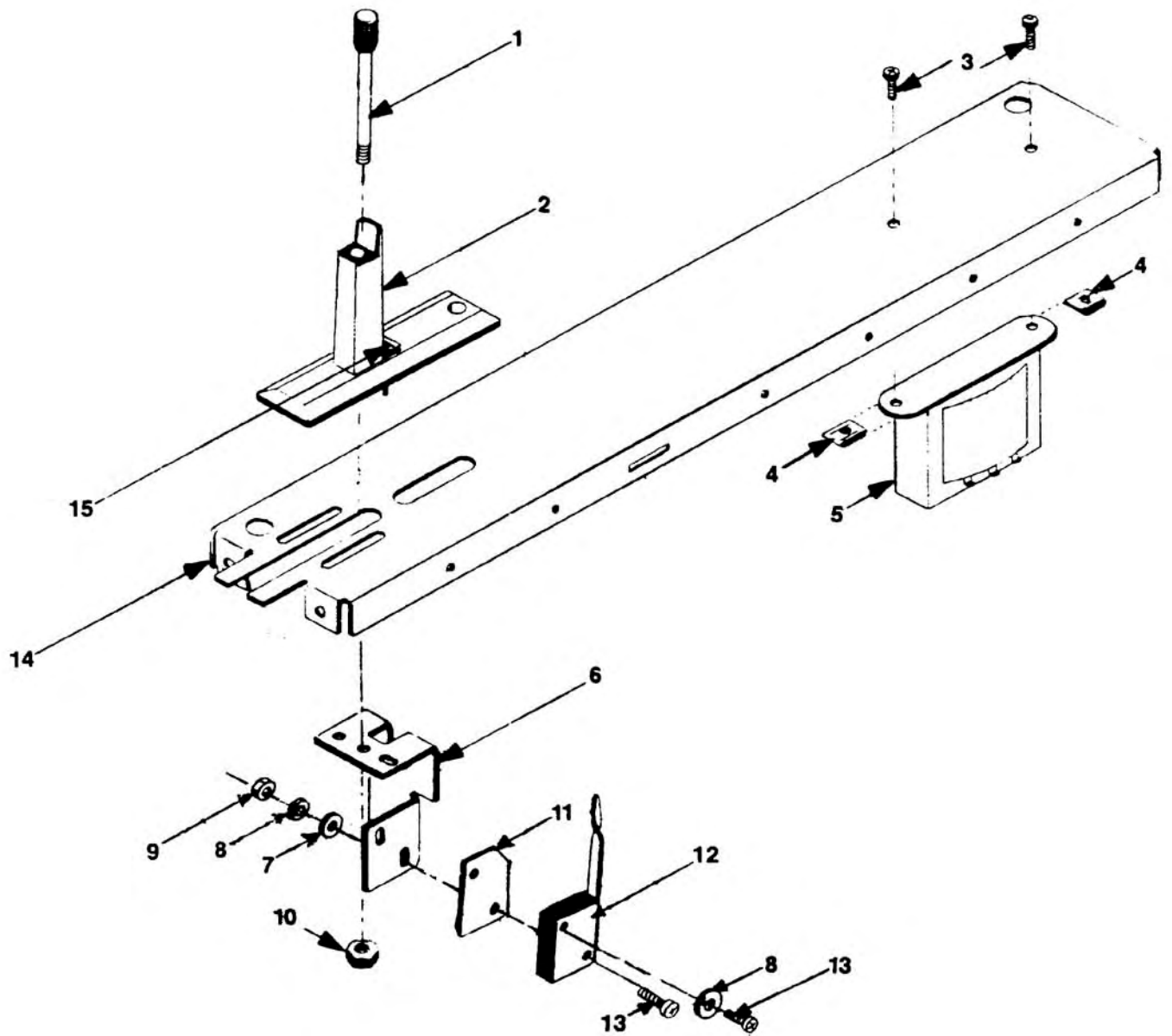
PRESSURE BAR ASSEMBLY PART NUMBER GUIDE

ITEM #	OLD PART NUMBER	NEW PART NUMBER	DESCRIPTION	QTY PER
N/A	51800500	9780037	Pressure Bar Assembly (Blue)	1
N/A	51800700	9780039	Pressure Bar Assembly (Grey)	1
1	4301770-04	9779263	2/56 X 3/16 Phillips Screw	1
2	1206182-03	9776734	Switch Plate	1
3	52300493	9780089	Pressure Bar Switch Assembly	1
4	3807526	9778772	Felt Pad	2
5	51800904	9780043	Blue Pressure Bar	1
	51800905	9780044	Dark Grey Pressure Bar	1
6	4100007	9779044	Pressure Bar Rack	2
7*	1205317	9776620	Bushing	2
8*	3100378	9778460	Pressure Bar Return Link	1
9*	4300493-11	9779155	Shoulder Screw	2
10*	1000533	9776380	Pressure Bar Return Arm	1
11	5100067-01	9779912	#10 Lock Washer	2
12	4300886-09	9779178	10/24 X 1/2 Phillips Screw	1
13	10202800	9776415	Pressure Bar Logo	1
	10204400	9776423	Pressure Bar Logo	1
14	3502715	9778609	Speed Nut	1
15	4300493-07	9779154	Shoulder Screw	1

---

\*NOTE: ITEMS 7, 8, 9, 10, 14 & 15 ARE NOT PART OF PRESSURE BAR ASSEMBLY.

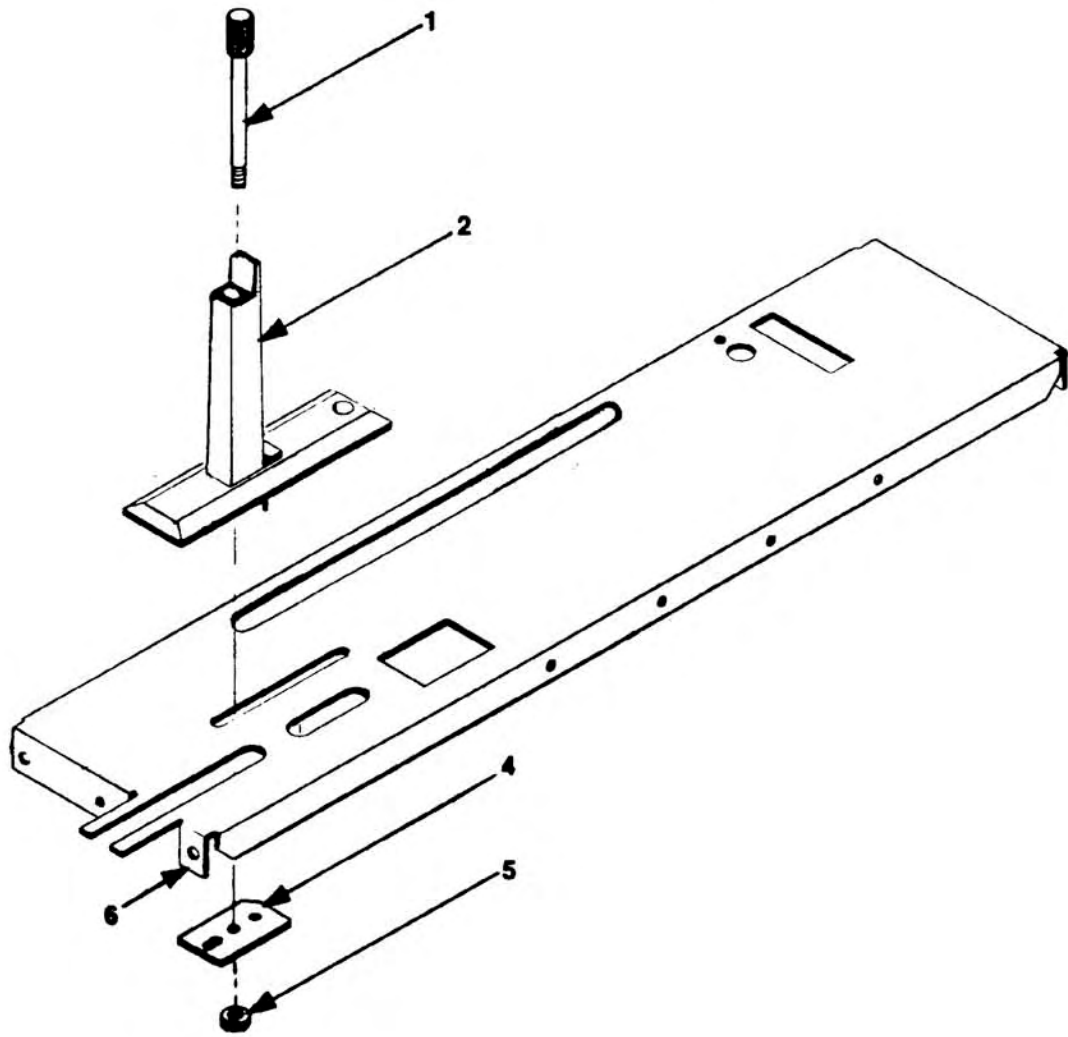
# PUNCH GUIDE ASSEMBLY



PUNCH GUIDE ASSEMBLY PART NUMBER GUIDE

<u>ITEM #</u>	<u>OLD PART NUMBER</u>	<u>NEW PART NUMBER</u>	<u>DESCRIPTION</u>	<u>QTY PER</u>
N/A	30900600	9778402	Punch Guide Assembly (Blue)	1
N/A	30901300	9778409	Punch Guide Assembly (Grey)	1
1	2901024	9778318	Punch Guide Knob	1
2	30900700	9778403	Blue Punch Edge Guide	1
	30901400	9778410	Grey Punch Edge Guide	1
3	4300884-07	9779172	6/32 X 3/8 Phillips Screw	2
4	3502720	9778611	6/32 Speed Nut	2
5	4504261	9779405	115 Volt Transformer	1
	4504263-01	9779408	240 Volt Transformer	1
6	1206169	9776724	Switch Mounting Bracket	1
7	5100004-01	9779896	#4 Flat Washer	2
8	5100064-01	9779909	#4 Lock Washer	3
9	3501022-01	9778587	4/40 Hex Nut	2
10	3501187	9778592	10/32 Lock Nut	1
11	2600800	9778285	Insulator	1
12	4325057	9779325	Auto Punch Switch	1
13	4300883-12	9779170	4/40 X 3/4 Phillips Screw	2
14	4322540	9779299	Punch Guide Support	1
15	1602077	9776897	Punch Edge Guide Decal	1
	10208709	9776451	Punch Edge Guide Decal	1

# BIND GUIDE ASSEMBLY

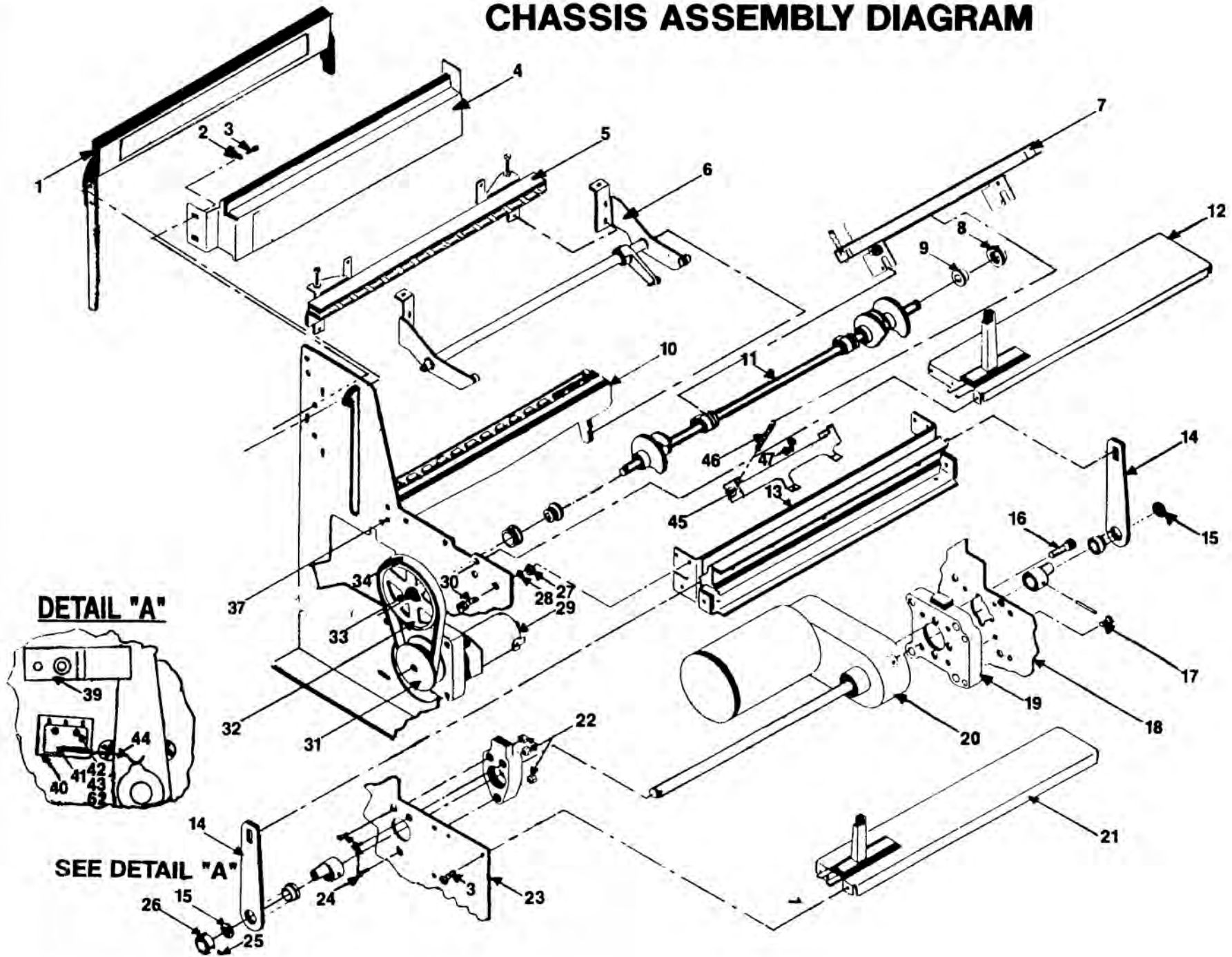




BIND GUIDE ASSEMBLY PART NUMBER GUIDE

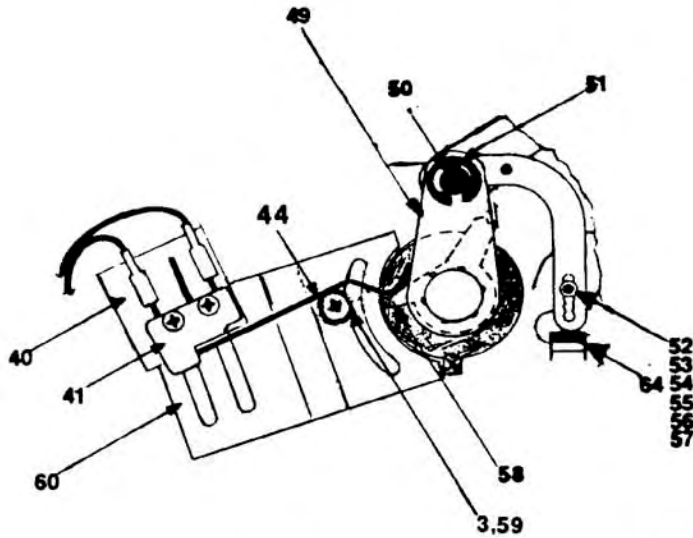
<u>ITEM #</u>	<u>OLD PART NUMBER</u>	<u>NEW PART NUMBER</u>	<u>DESCRIPTION</u>	<u>QTY PER</u>
N/A	30900500	9778401	Bind Guide Assembly (Blue)	1
N/A	30901100	9778407	Bind Guide Assembly (Grey)	1
1	2901023	9778317	Bind Guide Knob	1
2	30900800	9778404	Blue Bind Edge Guide	1
	30901200	9778408	Grey Bind Edge Guide	1
3	NOT USED			
4	3806098	9778756	Retainer Plate	1
5	3501187	9778592	10/32 Lock Nut	1
6	4330126	9779363	Bind Guide Support	1

# CHASSIS ASSEMBLY DIAGRAM



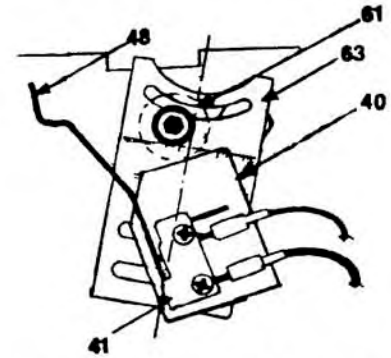
# CHASSIS ASSEMBLY DIAGRAM (RIGHT SIDE PLATE TIMING SWITCHES PARTS)

OUTSIDE OF RIGHT SIDE PLATE



**BIND TIMING SWITCH (S13)**

INSIDE OF RIGHT SIDE PLATE

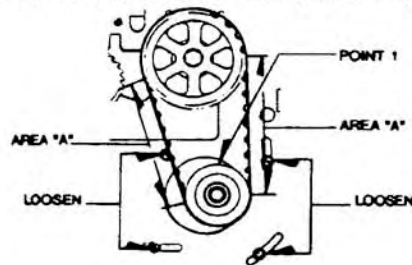


**CAM/SOLENOID SWITCH (S22)**

IF YOU ENCOUNTER : MACHINES WITH BURNED OUT BIND MOTORS,  
IT IS POSSIBLE THAT THE TIMING BELT MAY HAVE BEEN TOO TIGHT.

FOLLOW THE PROCEDURE BELOW FOR PROPER ADJUSTMENT:

1. LOOSEN THE 4 SCREWS INDICATED.
2. ROTATE MOTOR IN A COUNTERCLOCKWISE DIRECTION TO REMOVE TENSION FROM TIMING BELT (P/N 1203401).
3. APPLY A LIGHT FORCE AT "POINT 1" WITH THUMB.
4. TIMING BELT SHOULD BE IN A STRAIGHT LINE BETWEEN TIMING PULLEY (P/N 3804819) AND MOTOR PULLEY (P/N 3804818-01).
5. HOLD MOTOR IN PLACE WITH THUMB AND TIGHTEN THE 4 SCREWS.



CHASSIS ASSEMBLY PART NUMBER GUIDE

ITEM #	OLD PART NUMBER	NEW PART NUMBER	DESCRIPTION	QTY PER
1	51800500	9780037	Pressure Bar Assembly (Blue)	1
	51800700	9780039	Pressure Bar Assembly (Grey)	1
2	5100005-01	9779897	#6 Flat Washer	4
3	4301762-07	9779219	6/32 X 3/8 Phillips Screw	14
4	1602140-04	9776933	Backstop (Grey)	1
	1602140-05	9776934	Backstop (Lt. Grey)	1
5	36100054	9748023	Knife Assembly (120 V.)	1
		9781021	Knife Assembly (240 V.)	1
6	* No Part No.		Ecc. Shaft/Cutter Arm Assy	1
7	* No Part No.		Cooling Finger/Bracket Assy	1
8	1200211	9776611	Bearing	2
9	4310028	9779236	Cam Shaft Journal	2
10	50800300	9779887	Bridge Assembly	1
11	50100600	9779866	Cam Shaft Assembly	1
12	30900500	9778401	Bind Guide Assembly (Blue)	1
	30901100	9778407	Bind Guide Assembly (Grey)	1
13	52100200	9780064	Punch Assembly (Dom)	1
	52100300	9780065	Punch Assembly (Int'l)	1
14	3100380-01	9778461	Punch Link	2
15	1602941-01	9777570	Retaining Clip	2
16	4301368-01	9779205	5/16 X 3/4 Socket Screw	3
17	4301367-01	9779204	10/24 X 1/2 Flat Hd Screw	4
18	52201100	9780074	Right Side Plate Assembly*	1
19	1000541	9776389	Punch Motor Adaptor	1
20	3301537-01	9778567	115 Volt Motor Assembly	1
	3301537-02	9778568	240 Volt Motor Assembly	1
21	30900600	9778402	Punch Guide Assembly (Blue)	1
	30901300	9778409	Punch Guide Assembly (Grey)	1
22	3501205-01	9778597	Lock Nut	3
23	52201000	9780073	Left Side Plate Assembly*	1
24	4300986-12	9779187	10/24 X 3/4 Phillips Screw	3
25	4301121-02	9779192	6/32 X 1/8 Socket Set Screw	1
26	1407731	9776851	Punch Switch Cam	1
27	3501026-01	9778591	1/4-20 Hex Nut	6
28	5100068-01	9779913	1/4 Lock Washer	6
29	3301534	9778565	Bind Motor	1
30	4300026-13	9779141	1/4-20 X 7/8 Socket Screw	6
31	3804818-01	9778704	Bind Motor Pulley	1
32	3804819	9778705	Drive Pulley	1
33	4107001-22	9779072	E-Ring	1
34	1203401	9776613	Timing Belt	1
35	Not Used			
36	Not Used			

Items 18 and 23 are not available as spare parts.

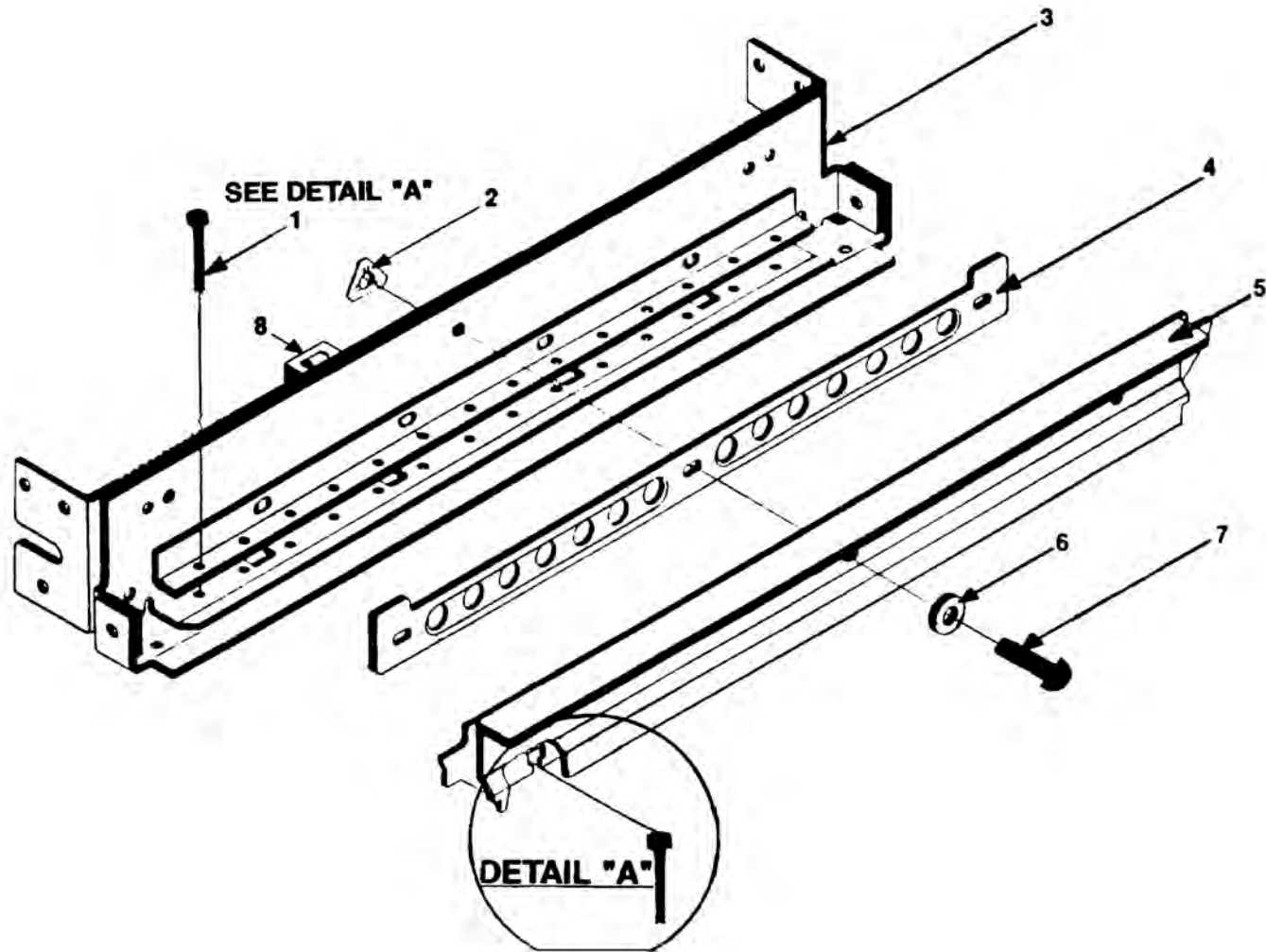
CHASSIS ASSEMBLY PART NUMBER GUIDE (CONT.)

ITEM #	OLD PART NUMBER	NEW PART NUMBER	DESCRIPTION	QTY PER
37	4300886-09	9779178	10/24 X 1/2 Phillips Screw	2
38	Not Used			
39	1206174	9776726	Punch Link Retainer Bracket	1
40	2600808	9778287	Insulator	3
41	4325017-01	9779311	Switch	3
42	4300881-10	9779168	2/56 X 9/16 Phillips Screw	6
43	5100222-01	9779920	Internal Tooth Lock Washer	6
44	1000007-02	9776354	Switch Actuator (Punch)(Rt.side)	2
45	52000700	9780061	Solenoid Adjusting Bracket	1
46	11900690	9776605	Extension Spring	1
47	11601290	9776588	Cotter Pin	1
48	1000007-02	9776354	Switch Actuator	1
49	3100387-01	9778467	Brass Link	1
50	4106011	9779060	Trunnion*	1
		9776353	Switch Actuator (Punch) (Left.side)	

\*NOTE: If trunnion loosens up, replace with P/N 0700109-01 (9776337) (kit).

51	4107001-17	9779069	E-Ring	1
52	4300883-12	9779170	4/40 X 3/4 Phillips Screw	1
53	4109060	9779090	Drive Arm Roller	1
54	5100004-01	9779896	#4 Flat Washer	1
55	5100064-01	9779909	#4 Lock Washer	1
56	3501022-01	9778587	4/40 Hex Nut	1
57	1000548-03	9776394	Drive Arm	1
58	2200510-03	9778116	Drive Gear	1
59	5100245-01	9779925	#6 Star Washer	3
60	1602200-01	9776958	Switch Mounting Bracket	1
61	10900300	9776478	Spacer	1
62	3502914-01	9778618	Nut Plate	3
63	52000700	9780061	Switch Mounting Bracket	1
64	36100010	9778639	Rubber Drive Arm Cushion	1

# PUNCH ASSEMBLY

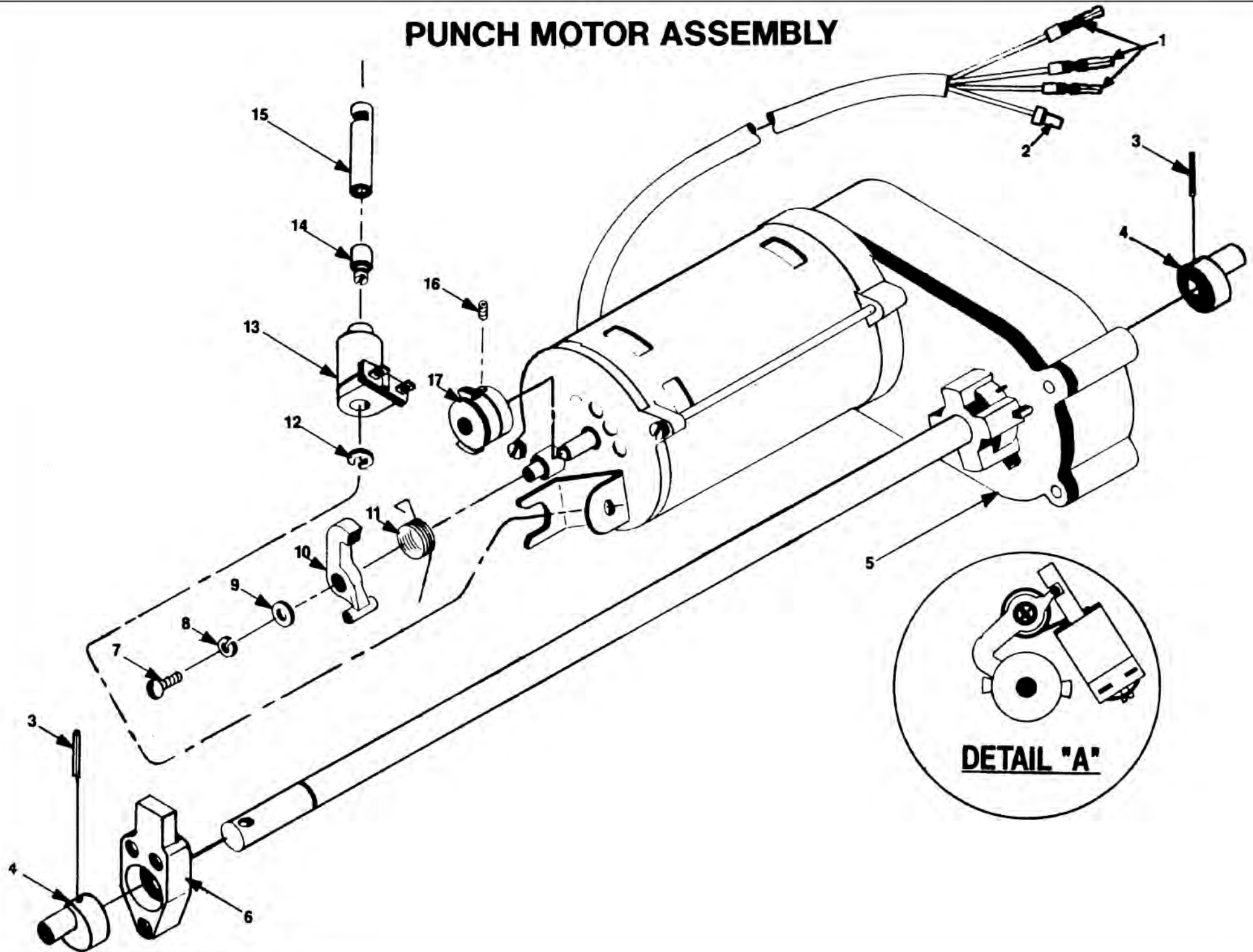


PUNCH ASSEMBLY PART NUMBER GUIDE

<u>ITEM #</u>	<u>OLD PART NUMBER</u>	<u>NEW PART NUMBER</u>	<u>DESCRIPTION</u>	<u>QTY PER</u>
N/A	36100034	9781029	Punch Assembly (Includes Items 1-7 only)	1
1	3801743	9778684	Punch Pin	14
2	4107007-01	9779078	Retaining Clip	3
3	36100009	9778638	Punch Housing	1
4	4313524	9779250	Punch Spacer	1
5	1000021	9776364	Punch Actuator	1
6	5101411	9779933	Plastic Washer	3
7	4106017-01	9779063	Retaining Pin	3
8	52700190	9780113	115 Volt Solenoid	1
	52700290	9780114	240 Volt Solenoid	1

NOTE: "DETAIL A" SHOWS PIN TO ACTUATOR ASSEMBLY.

# PUNCH MOTOR ASSEMBLY



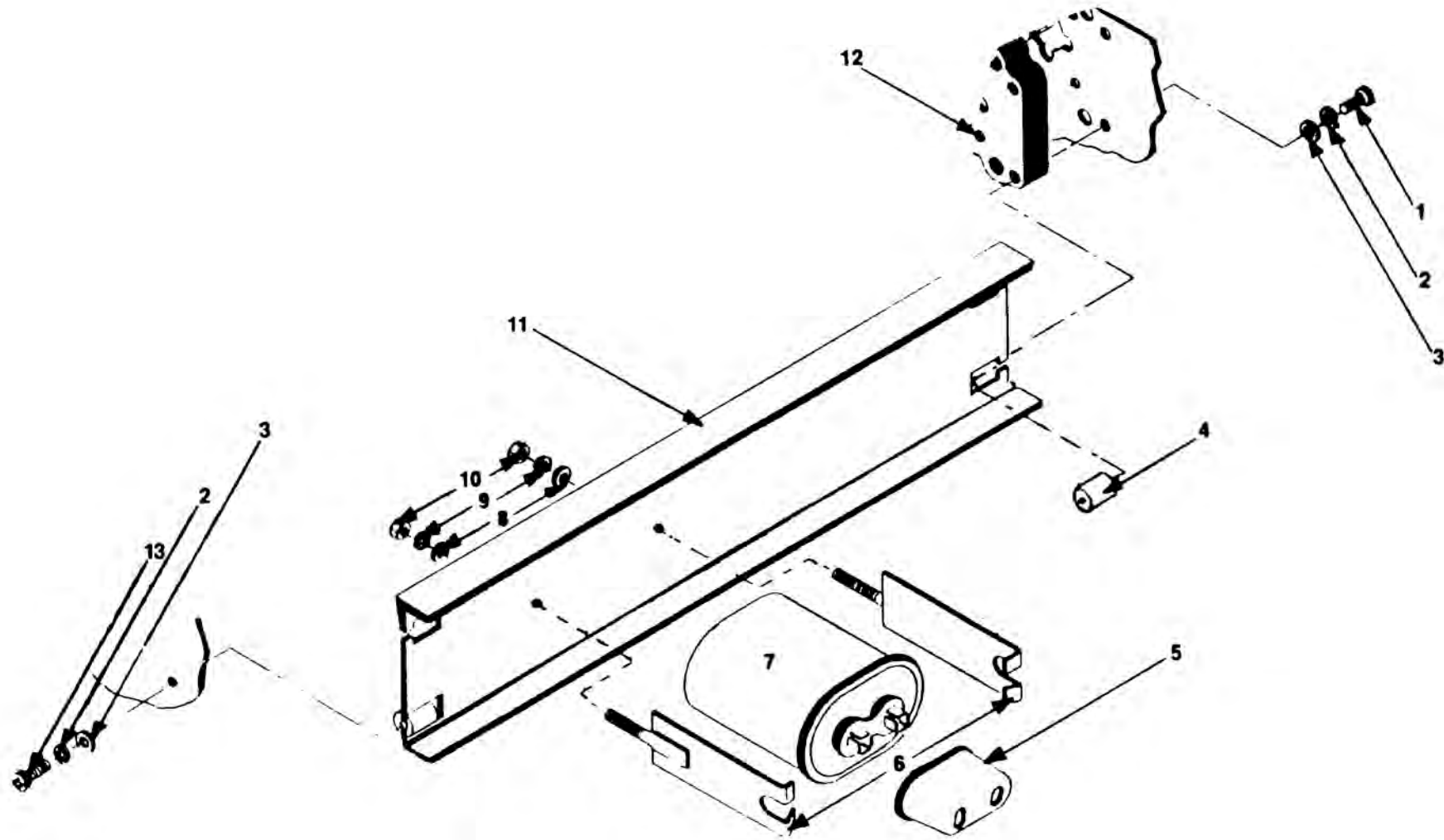


PUNCH MOTOR ASSEMBLY PART NUMBER GUIDE

<u>ITEM #</u>	<u>OLD PART NUMBER</u>	<u>NEW PART NUMBER</u>	<u>DESCRIPTION</u>	<u>QTY PER</u>
N/A	3301537-01	9778567	Punch Motor Assembly (115 V)	1
N/A	3301537-02	9778568	Punch Motor Assembly (240 V)	1
1	4502523-02	9779383	Bullet Terminal Lug	3
2	1405700	9776789	Cap Splice Connector	1
3	3801225-14	1929230	Roll Pin	2
4	1407714	9776842	Punch Drive Crank	2
5	1602560-01	9777213	Punch Gearmotor (115 V)	1
	1602152-01	9776944	Punch Gearmotor (240 V)	1
6	1200210	9776610	Punch Shaft Bearing	1
7	0700014-55	9776313	6/32 X 1/4 Screw	1
8	0700014-54	9776312	#6 Lock Washer	1
9	0700014-53	9776311	#6 Flat Washer	1
10	0700014-52	9776310	Lever Arm	1
11	0700014-51	9776309	Spring	1
12/13/14 /15	0700015-01	9776316	115 Vac Solenoid Kit	1
	0700015-02	9776317	240 Vac Solenoid Kit	1
16	0700014-56	9776314	Hub Set Screw	1
17	0700014-50	9776308	Brake Hub	1

NOTE: "DETAIL A" SHOWS PUNCH MOTOR BRAKE COMPONENTS ASSEMBLED.

# SUPPORT ASSEMBLY

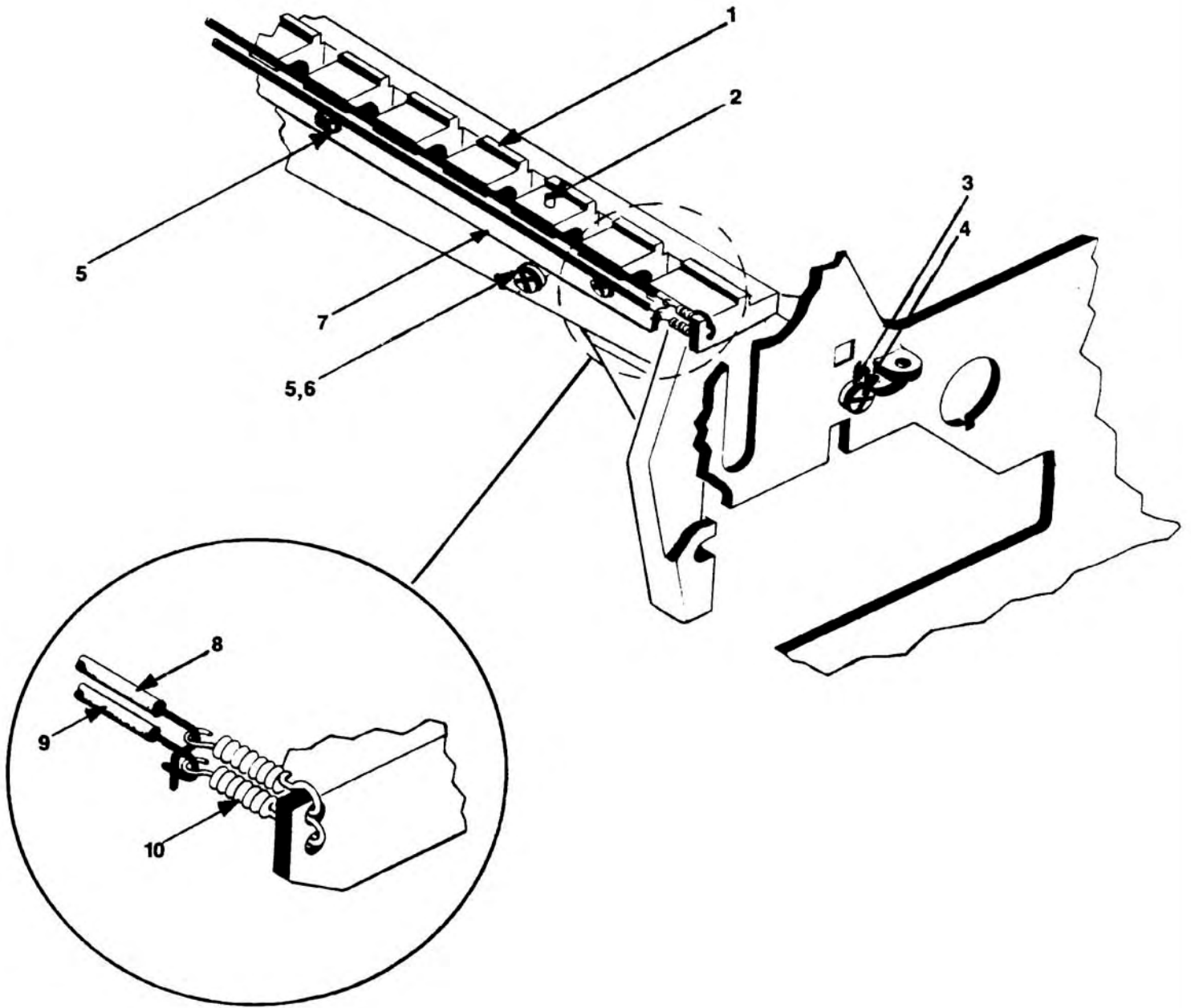


SUPPORT ASSEMBLY PART NUMBER GUIDE

ITEM #	OLD PART NUMBER	NEW PART NUMBER	DESCRIPTION	QTY PER
1	4300024-16	9779134	8/32 X 1-1/4 Socket Screw	2
2	5100066-01	9779911	#8 Lock Washer	4
3	5100006-01	9779898	#8 Flat Washer	4
4	1602112-01	9776927	Round Slotted Nut	4
5	1206196-01	9776745	Capacitor Boot	1
6	1206133	9776699	Capacitor Bracket	2
7	1401425-01	9776778	30 mfd Capacitor *	1
8	5100007-01	9779899	#10 Flat Washer	2
9	5100067-01	9779912	#10 Lock Washer	2
10	3501007-01	9778584	10/32 Hex Nut	2
11	1602141-01	9776935	Gearbox Support	1
12	1000541	9776389	Punch Motor Adaptor	1
13	4300024-12	9779132	8/32 X 3/4 Socket Screw	2

\*NOTE: P/N 1401426-01 (9776780), 10 mfd Capacitor for 240 Volt machines is attached to the Punch Guide Assembly.

# BRIDGE/WIPER ASSEMBLY DIAGRAM

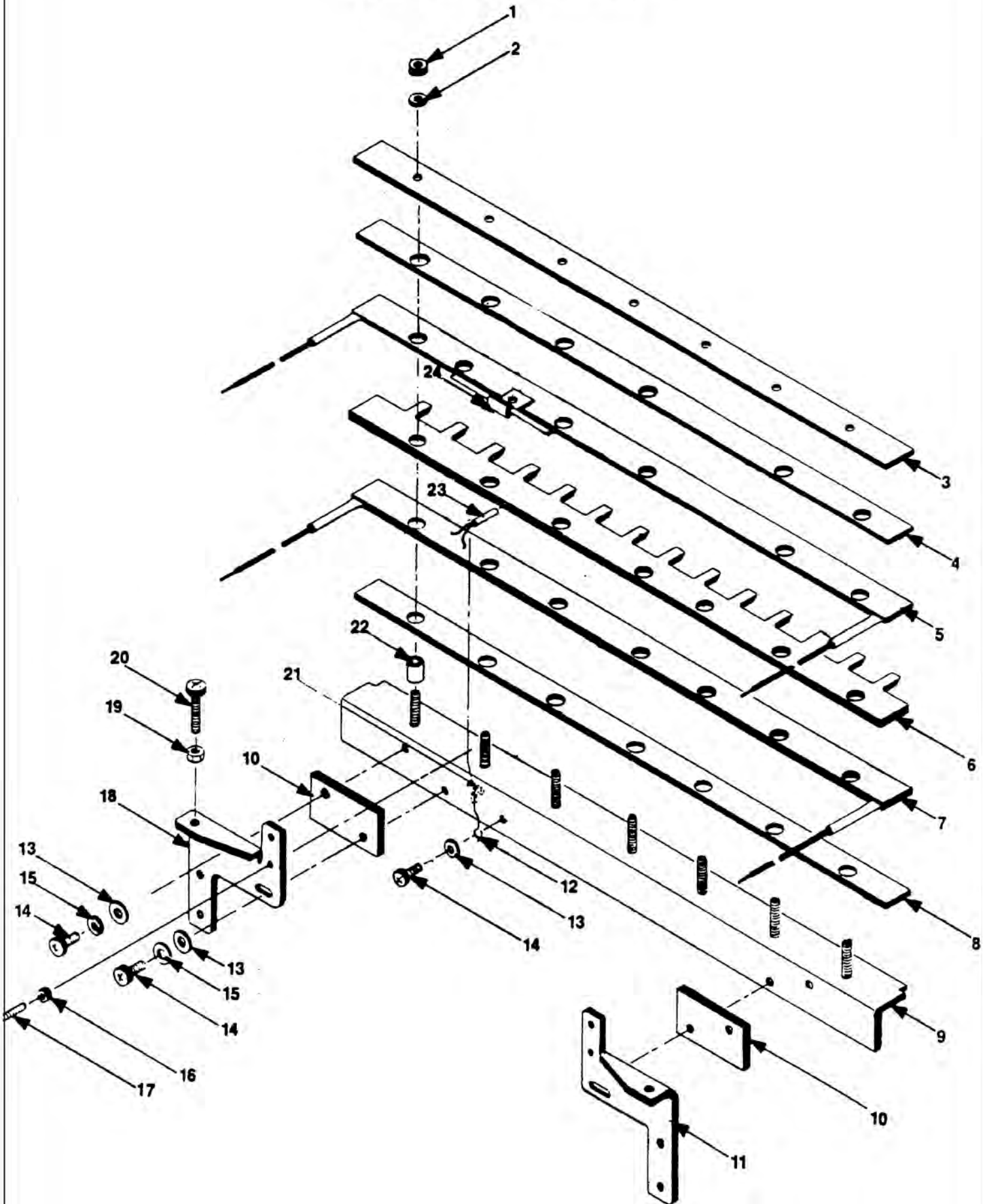


BRIDGE/WIPER ASSEMBLY PART NUMBER GUIDE

<u>ITEM #</u>	<u>OLD PART NUMBER</u>	<u>NEW PART NUMBER</u>	<u>DESCRIPTION</u>	<u>QTY PER</u>
1	1206134	9776700	Bridge	1
2	3801753-01	9778689	Locating Pin	1
3	5100066-01	9779911	#8 Lock Washer	2
4	4301763-09	9779222	8/32 X 1/2 Phillips Screw	2
5	4301763-09	9779222	8/32 X 1/2 Phillips Screw	5
6	5100227-01	9779923	#8 Star Washer	1
7	1206177	9776731	Stripper Bracket	1
8	5101522	9779958 *	Upper Wiper	1
9	5101521	9779957 *	Lower Wiper	1
10	4315738	9779276 *	Extension Spring	4

**\* No longer used - Obsolete per Carol Simmons**

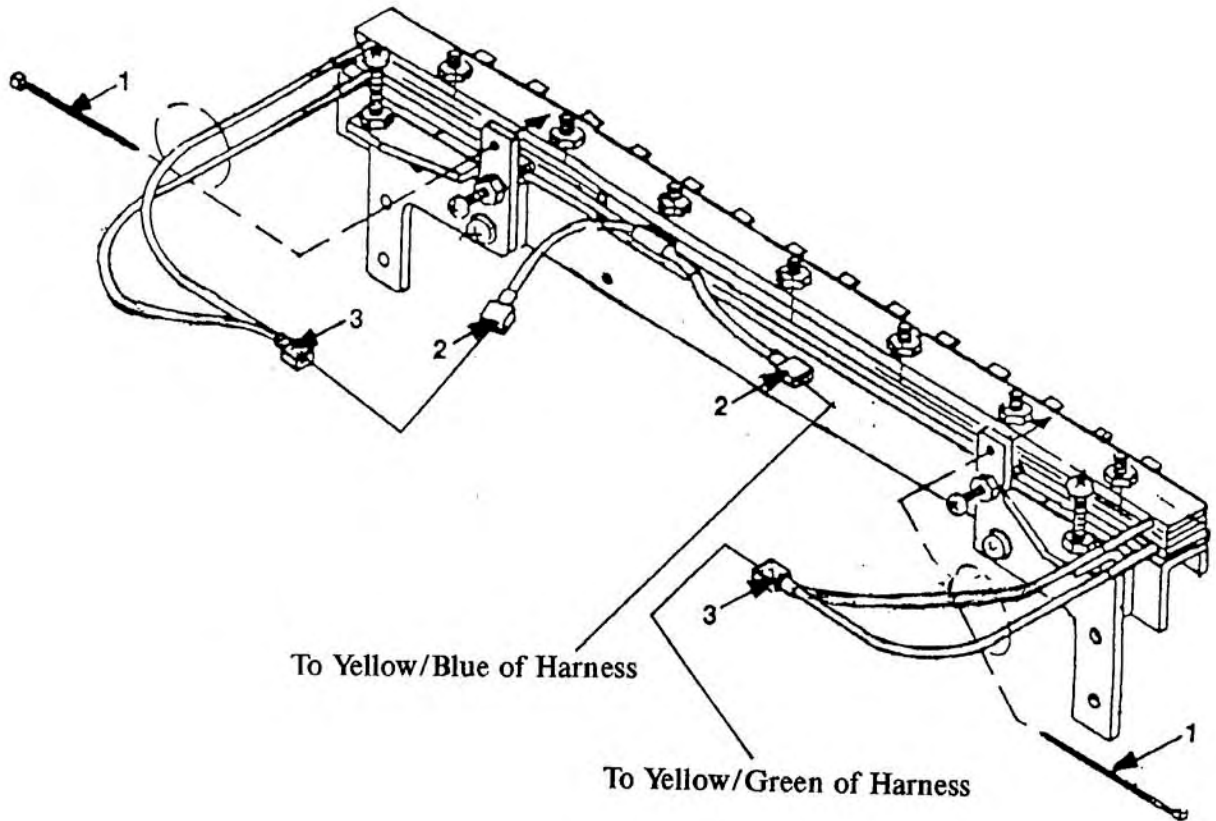
# KNIFE ASSEMBLY



KNIFE ASSEMBLY PART NUMBER GUIDE

ITEM #	OLD PART NUMBER	NEW PART NUMBER	DESCRIPTION	QTY PER
N/A	36100054	9748023	Knife Assembly (115 V.)	1
N/A		9781021	Knife Assembly (230 V.)	1
1	3501023-01	9778588	6/32 Hex Nut	7
2	5100065-01	9779910	#6 Lock Washer	7
3	3806095	9778754	Knife Heater Plate	1
4	2600816	9778289	Insulator	1
5	2400866	9778217	Heater	1
6	1206159	9776713	Knife Blade	1
7	2400870	9778226	Lower Heater	1
8	2600816	9778289	Insulator	1
9	1206137-02	9776705	Heater Support	1
10	2600826	9778294	Bracket Insulator	2
11	1206136-02	9776704	Left Heater Bracket	1
12	4109059	9779089	Thermistor Retainer	1
13	5100006-01	9779898	#8 Flat Washer	5
14	4300885-09	9779175	8/32 X 1/2 Screw	5
15	5100066-01	9779911	#8 Lock Washer	4
16	3501022-01	9778587	4/40 Hex Nut	2
17	4300883-12	9779170	4/40 X 3/4 Screw	2
18	1206136-01	9776703	Right Heater Bracket	1
19	3501024-01	9778589	8/32 Hex Nut	2
20	4300885-14	9779177	8/32 X 1 Screw	2
21	9781237	9781237	Teflon Sleeve	1
22	2600830	9778296	Ceramic Insulator	7
23	9781354	9781354	Thermistor	1
24	9781027	9779394	Cut-Off Thermostat	1
		9776802	Spring Contact (Not Shown)	

# 115 VOLT KNIFE WIRING

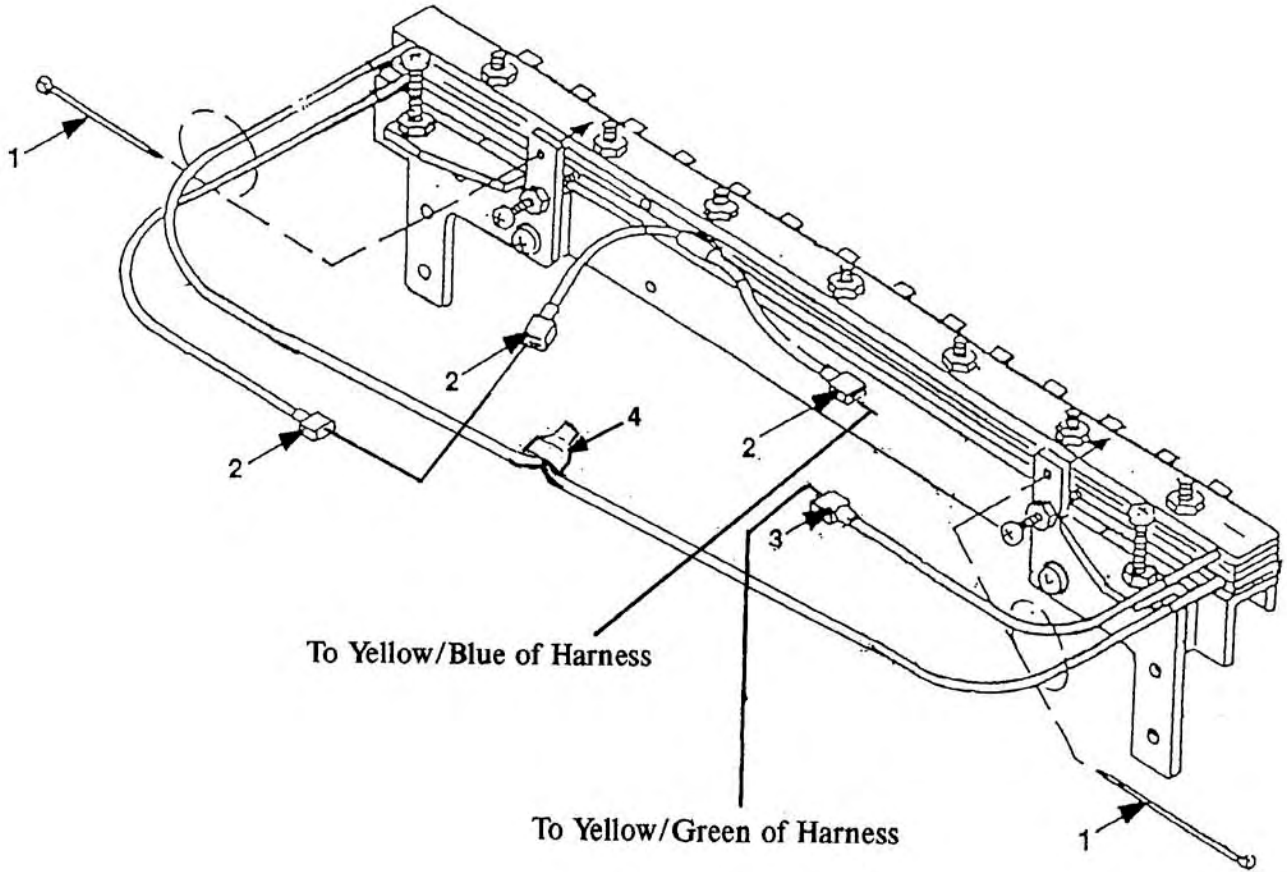


## KNIFE WIRING PART NUMBER GUIDE

ITEM #	OLD PART NUMBER	NEW PART NUMBER	DESCRIPTION	QTY PER
1	4504000	9779396	Cable Tie	2
2	4502525-01	9779385	Insulated Terminal	2
3	59350007	9780158	Insulated Terminal	2



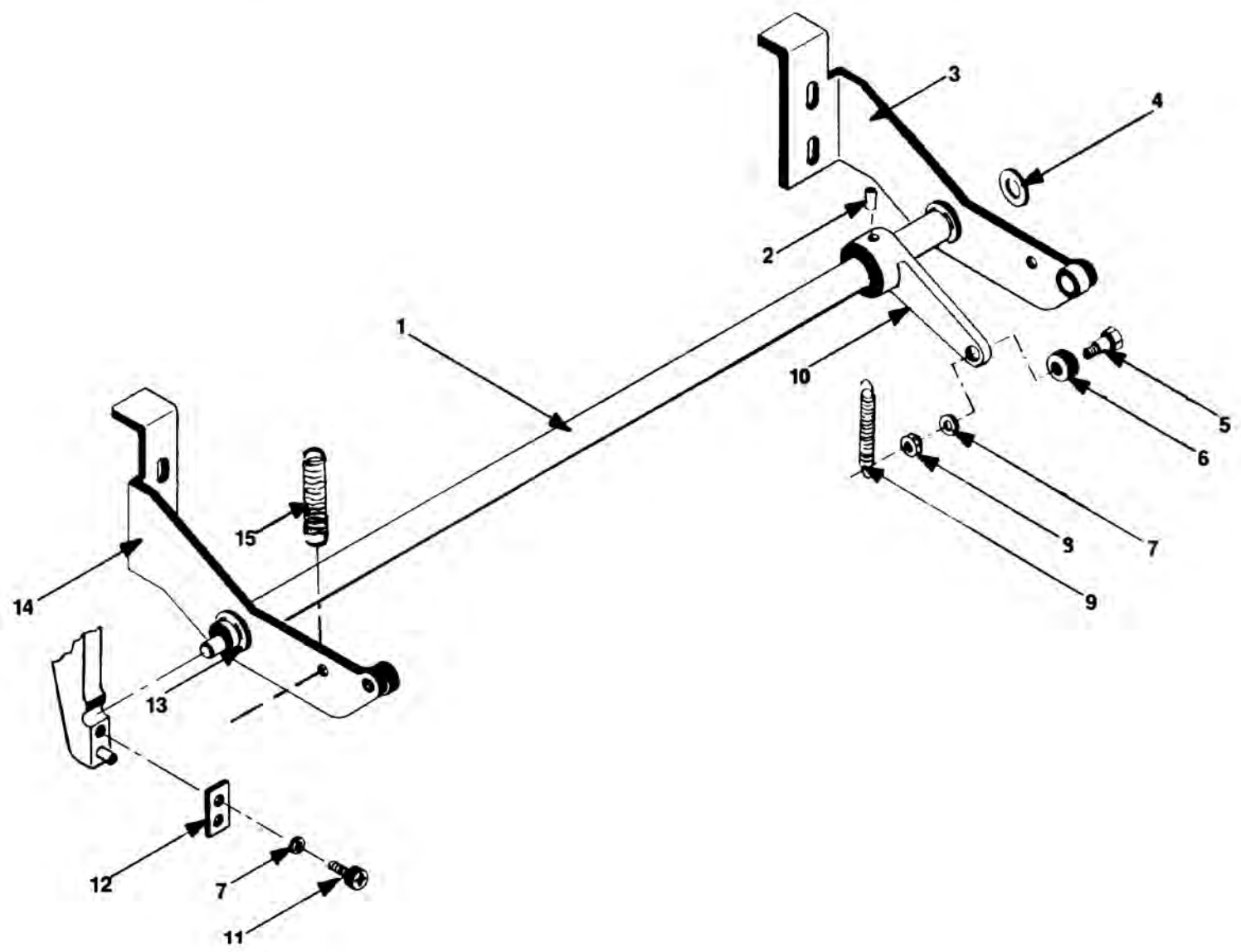
# 230 VOLT KNIFE WIRING



## KNIFE WIRING PART NUMBER GUIDE

ITEM #	OLD PART NUMBER	NEW PART NUMBER	DESCRIPTION	QTY PER
1	4504000	9779396	Cable Tie	2
2	4502525-01	9779385	Insulated Terminal	1
3	59350007	9780158	Insulated Terminal	3
4	1405700	9776679	Splice Connector	1

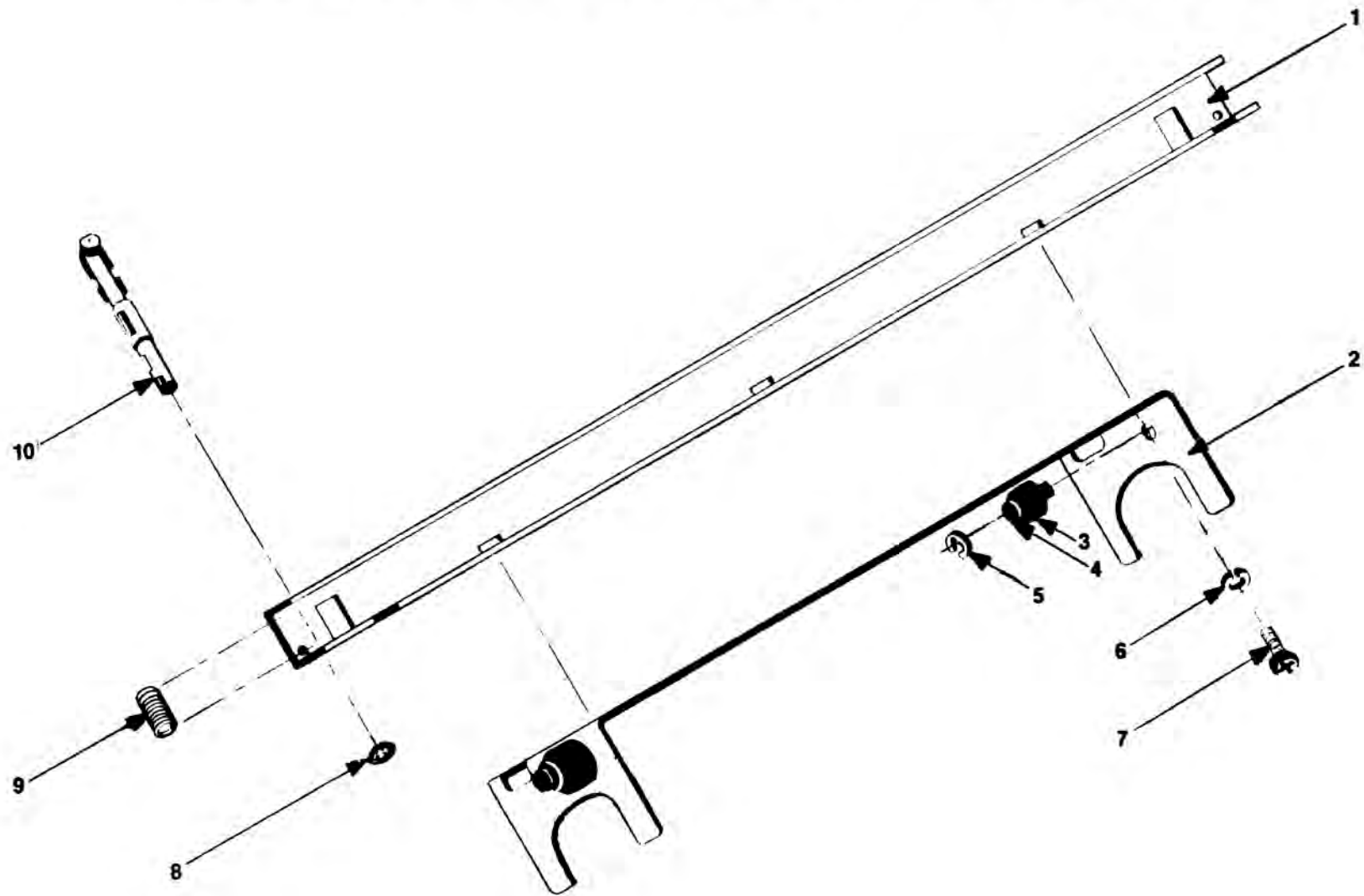
# CUTTER ARM SHAFT/CUTTER ARM ASSEMBLY DIAGRAM



CUTTER ARM/SHAFT PART NUMBER GUIDE

<u>ITEM #</u>	<u>OLD PART NUMBER</u>	<u>NEW PART NUMBER</u>	<u>DESCRIPTION</u>	<u>QTY PER</u>
N/A	N/A	N/A	Cutter Arm Shaft Assembly (Includes Items 1 , 2, 5-8, & 10)	1
1	4310026	9779235	Cutter Arm Shaft	1
2	3801223-14	9778666	Roll Pin	1
3	1000540-01	9776383	Right Cutter Arm Assembly	1
4	3807507	9778766	Teflon Washer	2
5	4330069	9779346	Shoulder Screw	2
6	4109042	9779084	Roller	1
7	5100066-01	9779911	#8 Lock Washer	3
8	3501024-01	9778589	8/32 Hex Nut	1
9	4315569-18	9779260	Extension Spring	1
10	1000520	9776376	Extruder Arm	1
11	4301763-09	9779222	8/32 X 1/2 Screw	2
12	3806091	9778751	Retaining Plate	2
13	4107001-22	9779072	E-Ring	4
14	1000540-02	9776384	Left Cutter Arm Assembly	1
15	4315742	9779278	Extension Spring	2

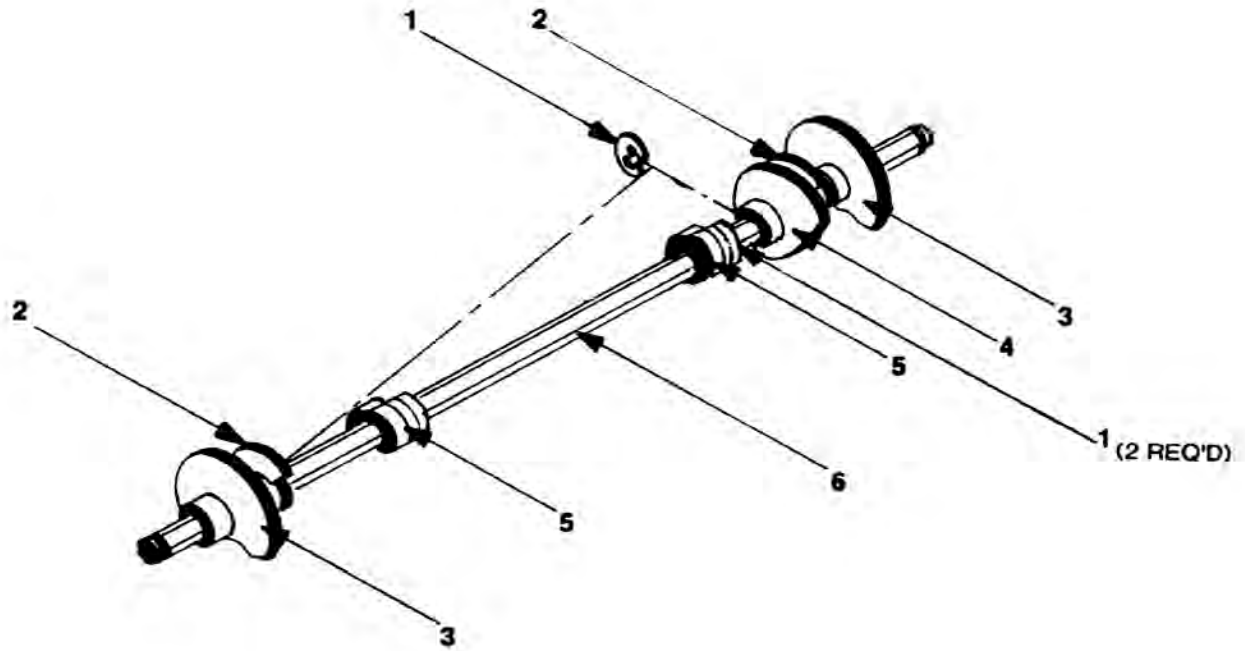
# COOLING FINGER/BRACKET ASSEMBLY DIAGRAM



COOLING FINGER/BRACKET PART NUMBER GUIDE

<u>ITEM #</u>	<u>OLD PART NUMBER</u>	<u>NEW PART NUMBER</u>	<u>DESCRIPTION</u>	<u>QTY PER</u>
N/A	1206153	9776708	Cooling Finger Assembly (Includes Items 1, 8, 10, & 11)	1
N/A	1206161-01	9776718	Cooling Bracket Assembly (Includes Items 2-7)	1
1	1407720-01	9776845	Cooling Finger Channel	1
2	52000600	9780060	Cooling Bracket	1
3	4109042	9779084	Roller	2
4	4109061	9779091	Rivet	2
5	4107006-06	9779077	C-Clip	2
6	5100065-01	9779910	#6 Lock Washer	2
7	4300884-07	9779172	6/32 X 3/8 Screw	2
8	1602162-01	9776950	Retaining Ring	14
9	4315731	9779272	Cooling Finger Spring	14
10	3801752	9778687	Cooling Finger	14
		9779278	Cooling Channel Spring	2

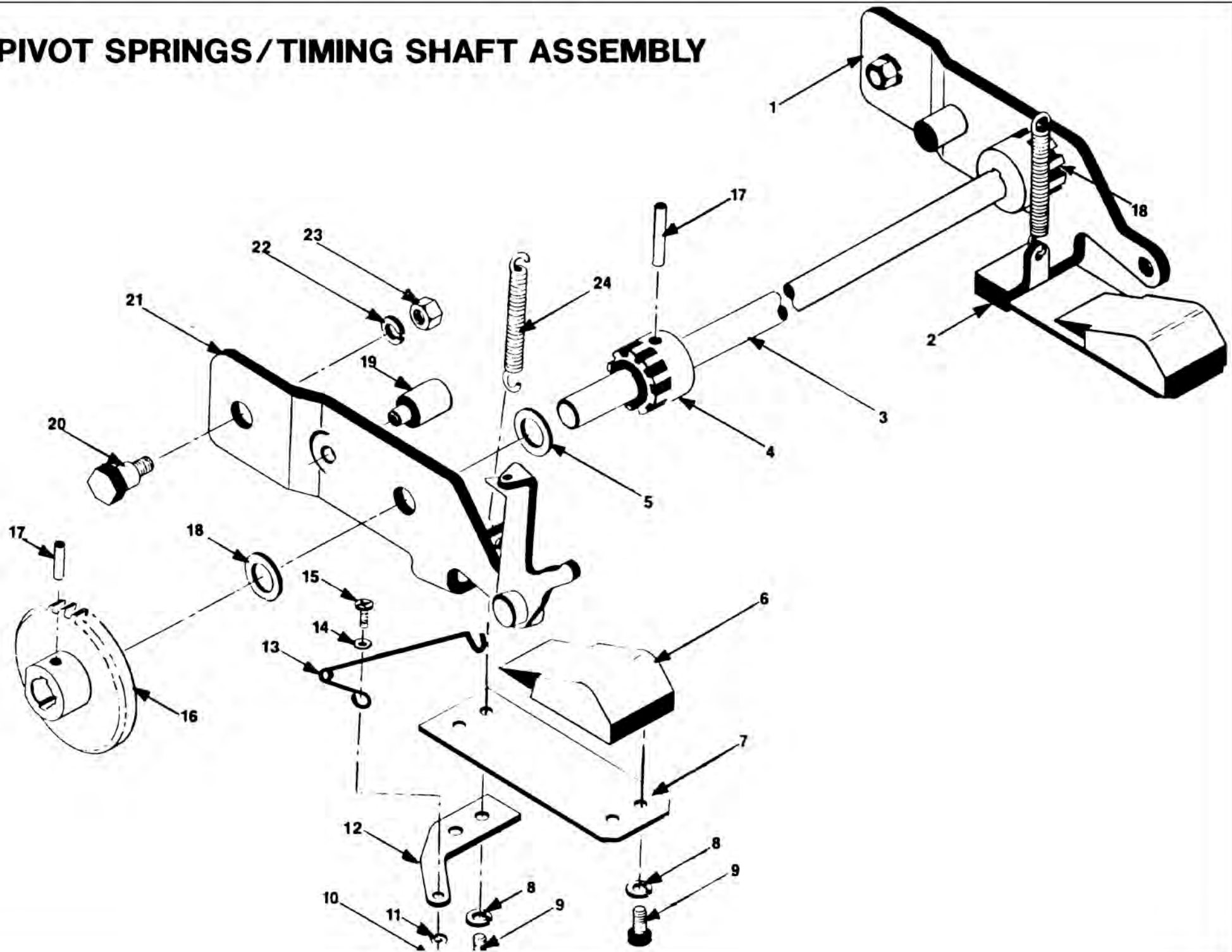
# CAM SHAFT ASSEMBLY



CAM SHAFT ASSEMBLY PART NUMBER GUIDE

<u>ITEM #</u>	<u>OLD PART NUMBER</u>	<u>NEW PART NUMBER</u>	<u>DESCRIPTION</u>	<u>QTY PER</u>
N/A	50100600	9779866	Cam Shaft Assembly	1
1	4107001-22	9779072	E-Ring	4
2	1407712	9776840	Cutter Cam	2
3	1602201-01	9776959	Pressure Cam	2
4	1407713	9776841	Extruder Cam	1
5	50100500	9779865	Cooling Cam	2
6	4310025-01	9779234	Cam Shaft	1

# PIVOT SPRINGS/TIMING SHAFT ASSEMBLY

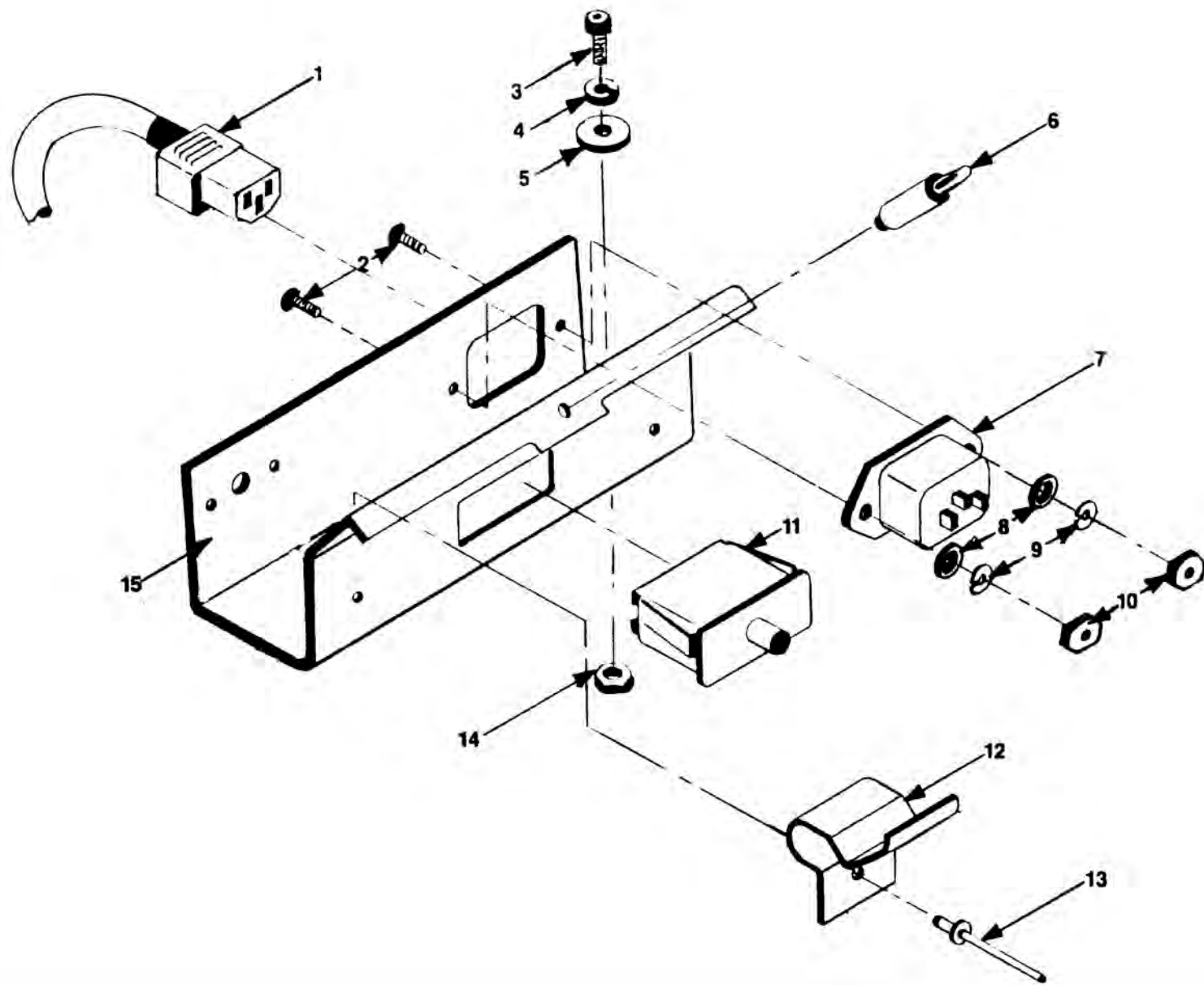




PIVOT SPRINGS/TIMING SHAFT PART NUMBER GUIDE

ITEM #	OLD PART NUMBER	NEW PART NUMBER	DESCRIPTION	QTY PER
N/A	3807531	9778775	Left Pivot Spring Assembly	1
N/A	3807533	9778776	Right Pivot Spring Assembly	1
N/A	4310031	9779241	Timing Shaft Assembly	1
1	3806087-01	9778740	Right Pivot Plate	1
2	4109058	9779088	Retainer Plate	1
3	4310030	9779240	Timing Shaft	1
4	3807506	9778765	Pinion Gear	2
5	4313535	9779256	Spacer	2
6	1407722	9776847	Cam Follower	2
7	4315583	9779263	Flat Spring	2
8	5100065-01	9779910	#6 Lock Washer	8
9	4301762-07	9779219	6/32 X 3/8 Phillips Screw	8
10	3501022-01	9778587	4/40 Hex Nut	1
11	5100064-01	9779909	#4 Lock Washer	1
12	4109057	9779087	Retainer	1
13	4315745-01	9779280	Pawl Spring	1
14	5100004-01	9779896	#4 Flat Washer	1
15	4300022-07	9779118	4/40 X 3/8 Socket Screw	1
16	4109045	9779085	Ratchet	1
17	3801223-12	9778665	Roll Pin	3
18	4313534	9779255	Spacer	2
19	4106009	9779059	Guide Rivet	2
20	4330038-05	9779337	Shoulder Screw	2
21	3806087-02	9778741	Left Pivot Plate	1
22	5100068-01	9779913	1/4 Lock Washer	2
23	3501026-01	9778591	1/4-20 Hex Nut	2
24	4315736	9779274	Spring	2

# INTERLOCK BRACKET ASSEMBLY



INTERLOCK BRACKET ASSEMBLY PART NUMBER GUIDE

<u>ITEM #</u>	<u>OLD PART NUMBER</u>	<u>NEW PART NUMBER</u>	<u>DESCRIPTION</u>	<u>QTY PER</u>
1	5101509	9779940	115 Volt Power Cord	1
	5101529	9779969	240 Volt Power Cord	1
	1602708-01	9777387	Power Cord (France)	1
2	4300983-11	9779185	4/40 X 5/8 Phillips Screw	2
3	4300025-11	9779136	10/24 X 5/8 Socket Screw	2
4	5100067-01	9779912	#10 Lock Washer	2
5	5100007-01	9779899	#10 Flat Washer	2
6	4330136-01	9779370	P. C. Board Stand Off	1
7	4100508	9779047	Receptacle	1
8	5100004-01	9779896	#4 Flat Washer	2
9	5100064-01	9779909	#4 Lock Washer	2
10	3501022-01	9778587	4/40 Hex Nut	2
11	4325065-01	9779327	Interlock Switch	1
12	4315739	9779277	Latch Spring	1
13	N/A	N/A	Rivet (Not available as spare part)	1
14	3501025-01	9778590	10/24 Hex Nut	2
15	1206181	9776733	Interlock Bracket	1