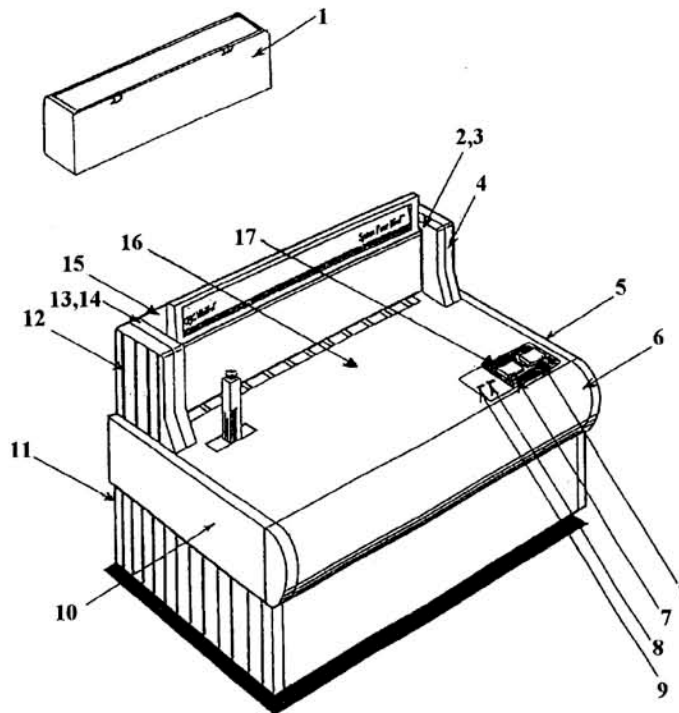


# 8.0 PARTS LIST

Figure 8-1

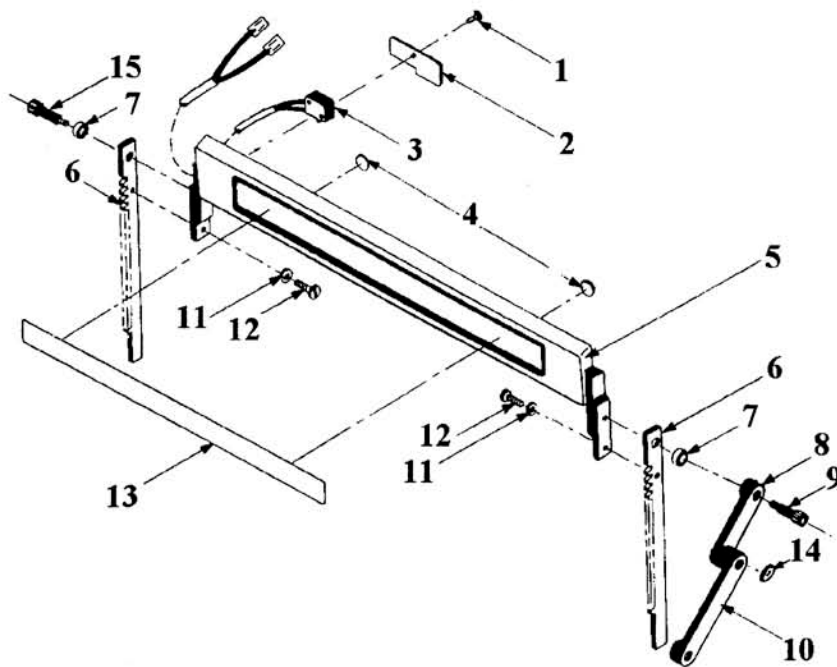
ITEM	PART NUMBER	DESCRIPTION	QTY
1	7705048	Waste Tray	1
2	7705052	Top Right Inside End Cap	1
3	9781758	Right Front Extrusion	1
4	7705054	Top Right Outside End Cap	1
5	7705058	Right End Cap	1
6	7705062	Bullnose	1
7	9781462	Rocker Switch	2
8	9781495	LED Ready Yellow	1
9	9781494	LED On Green	1
10	7705057	Left End Cap	1
11	7705064	Base	1
	7705062	Back Panel	1
12	7705055	Top Left Outside End Cap	1
13	7705053	Top Left Inside End Cap	1
14	7705056	Front Left Extrusion	1
15	9781465	Rear Extrusion	1
16	7705065	Platen Work Surface	1
17	9781500	Work Surface Decal	1



# 8.0 PARTS LIST

Figure 8-2

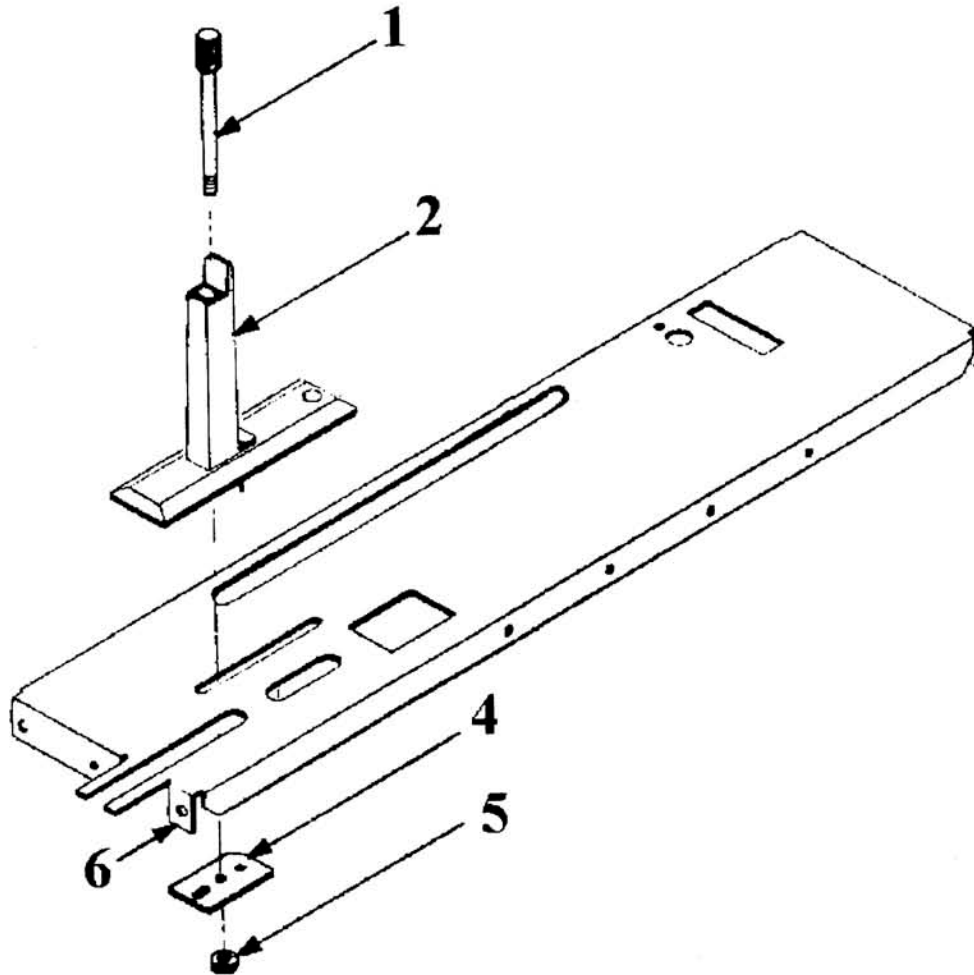
ITEM	PART NUMBER	DESCRIPTION	QTY
1	1907615	2/56 X 3/16 Phillips Screw (was 9779223)	1
2	9776734	Switch Plate	1
3	9780089	Pressure Bar Switch Assembly	1
4	9778772	Felt Pad	2
5	7705067	Pressure Bar	1
6	9779044	Pressure Bar Rack	2
7	9776620	Bushing	2
8	9778460	Pressure Bar Return Link	1
9	9779155	Shoulder Screw	2
10	9776380	Pressure Bar Return Arm	1
11	1926016	#10 Lock Washer (was 9779912)	2
12	1902873	10/24 X 1/2 Phillips Screw (was 9779178)	1
13	9781325	Pressure Bar Logo - System Four	1
	9781348	Pressure Bar Logo - Gestetner	1
	9781367	Pressure Bar Logo - Nashuatec	1
	9781662	Pressure Bar Logo - GBC SureBind	1
14	1928906	Speed Nut (was 9778609)	1
15	1900806	Shoulder Screw (was 9779154)	1
N/A	9783606	Ground Wire (Not Shown - not in original manual)	1



# PARTS LIST

## Figure 8-3

ITEM	PART NUMBER	DESCRIPTION	QTY
1	9778317	Bind Guide Knob	1
2	7705069	Bind Edge Guide	1
3	Not Used		
4	9778756	Retainer Plate	1
5	1927407	10/32 Lock Nut (was 9778592)	1
6	7705068	Bind Guide Support	1

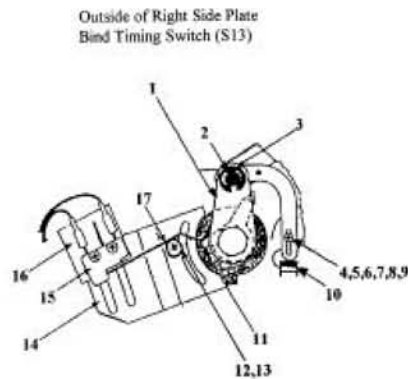


# 8.0 PARTS LIST

Figure 8-4

ITEM	PART NUMBER	DESCRIPTION	QTY
1	9778467	Brass Link	1
2	9776337	Pressure Bar Return Rivet Kit	1
3	1930510	E-Ring (was 9779069)	1
4	1902840	4/40 X 3/4 Phillips Screw (was 9779170)	1
5	9779090	Drive Arm Roller	1
6	1925012	#4 Flat Washer (was 9779896)	1
7	1926007	#4 Lock Washer (was 9779909)	1
8	1926711	4/40 Hex Nut (was 9778587)	1
9	9776394	Drive Arm	1
10	9778639	Rubber Drive Arm Cushion	1
11	9778116	Drive Gear	1
12	1907830	6/32 X 3/8 Phillips Screw (was 9779219)	1
13	1925904	#6 Star Washer (was 9779925)	1
14	9776958	Switch Mounting Bracket	1
15	9779311	Switch	2
	1902872	Screw, Ph. Pan Hd 2-56 X 9/16 (mounts switches)	4
	1925805	Washer, Internal Lock #2	4
	9778618	Nut Plate, Switch, #2-56	2
16	9778287	Insulator	2
17	9776354	Actuator	2
18	9776478	Spacer	1
19	9780061	Switch Mounting Bracket	1
	9776605	Spring, Extension (Not Shown on S22)	1
	1900545	Screw, Hx Soc Cap 6-32 X 1/2 (S22 to Spacer)	1
	1926005	Lockwasher, #6 (S22 to Spacer)	1
	1925119	Washer, Flat #6 (S22 to Spacer)	1

Outside of Right Side Plate  
Bind Timing Switch (S13)



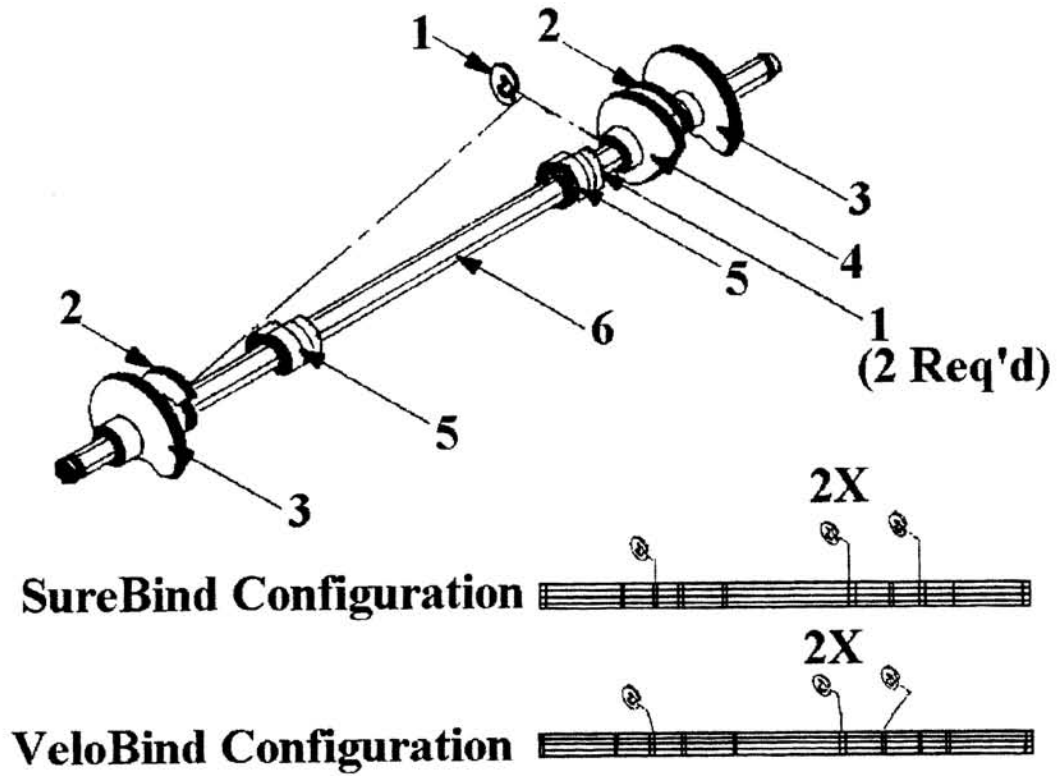
Inside of Right Side Plate  
Cam Solenoid Switch (S22)



# 8.0 PARTS LIST

Figure 8-5

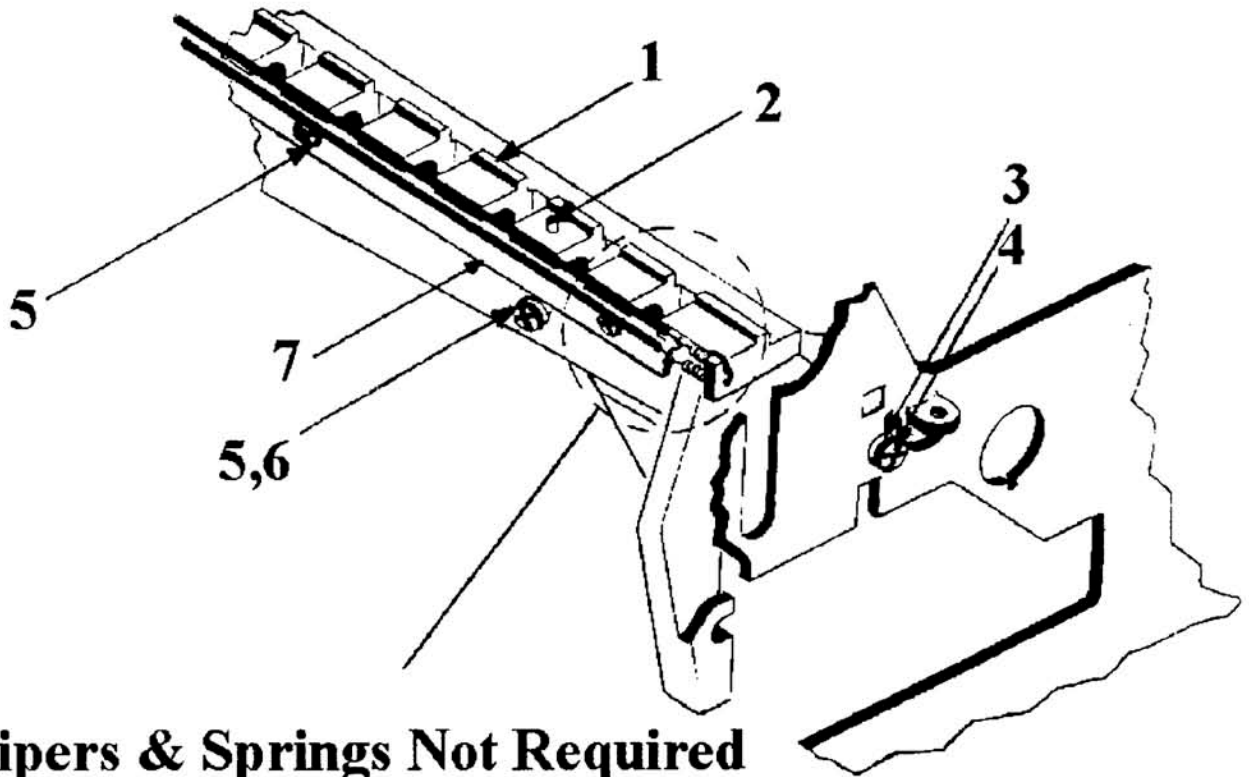
ITEM	PART NUMBER	DESCRIPTION	QTY
1	9779072	E-Ring	4
2	9776840	Cutter Cam	2
	9781757	Cutter Cam - SureBind	1
3	9776959	Pressure Cam	2
4	9776841	Extruder Cam	1
5	9779865	Cooling Cam	2
6	9779234	Cam Shaft	1



## 8.0 PARTS LIST

Figure 8-6

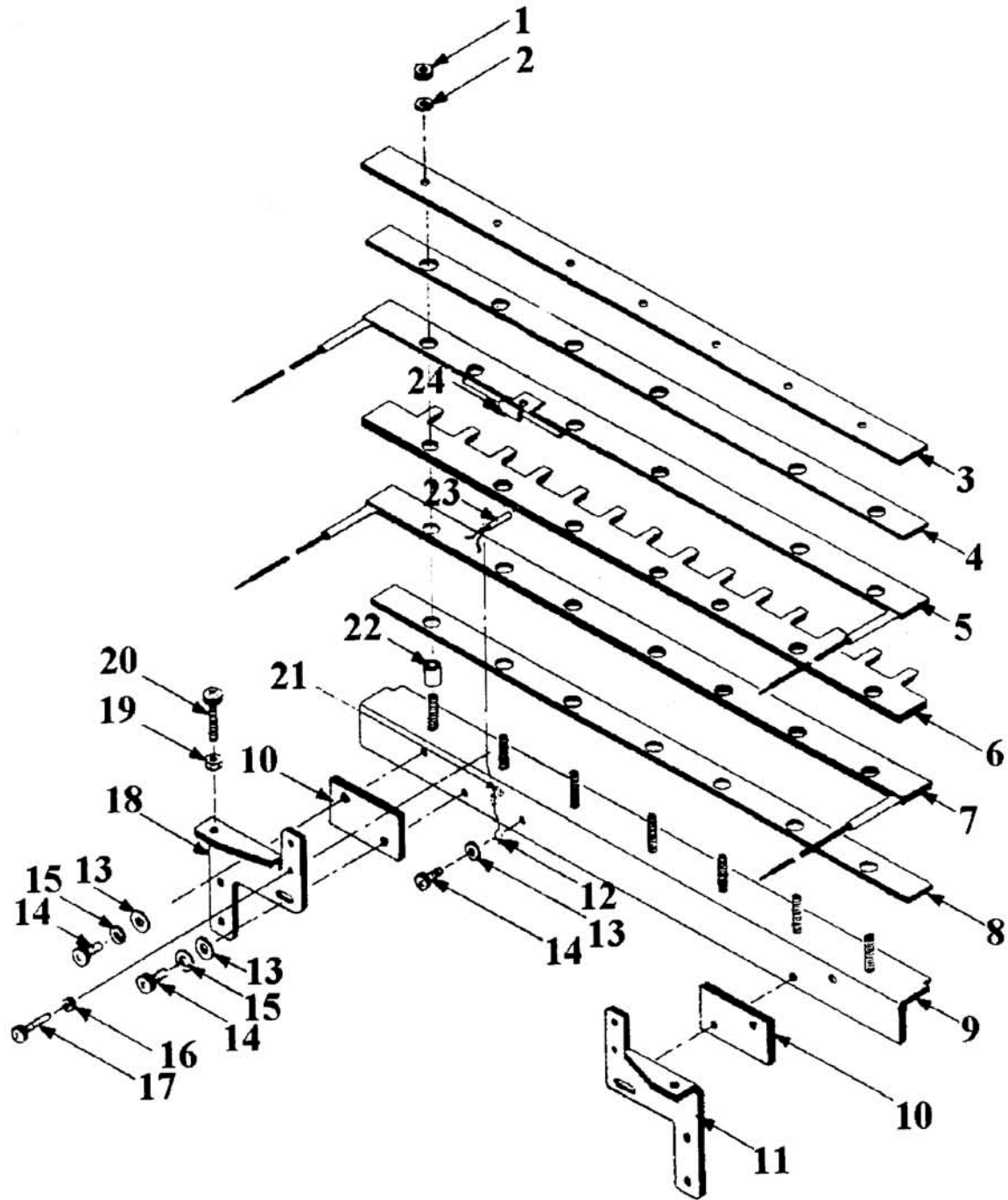
ITEM	PART NUMBER	DESCRIPTION	QTY
1	9776700	Bridge	1
	9781597	Bridge (SureBind)	1
2	9778689	Locating Pin	1
	9781894	Locating Pin (SureBind)	1
3	1926003	#8 Lock Washer (was 9779911)	2
4	1907829	8/32 X 1/2 Phillips Screw (was 9779222)	2
5	1907839	10/32 X 1/2 Phillips Screw (was 9781895)	5
6	1925803	#10 Star Washer (was 9779923)	1
7	9776731	Stripper Bracket	1
	9781596	Stripper Bracket (SureBind)	1
Not Shown	9778415	Cooling Finger Stop (On front of Bridge)	2
Not Shown	1907830	Screw, Thd Cut Ph Pan Hd, 6-32 X 3/8 (for Stops)	2
Not Shown	1925904	Lockwasher, Ext. Tooth , #6 (for Stops)	2



**Wipers & Springs Not Required**

# 8.0 PARTS LIST

Figure 8-7

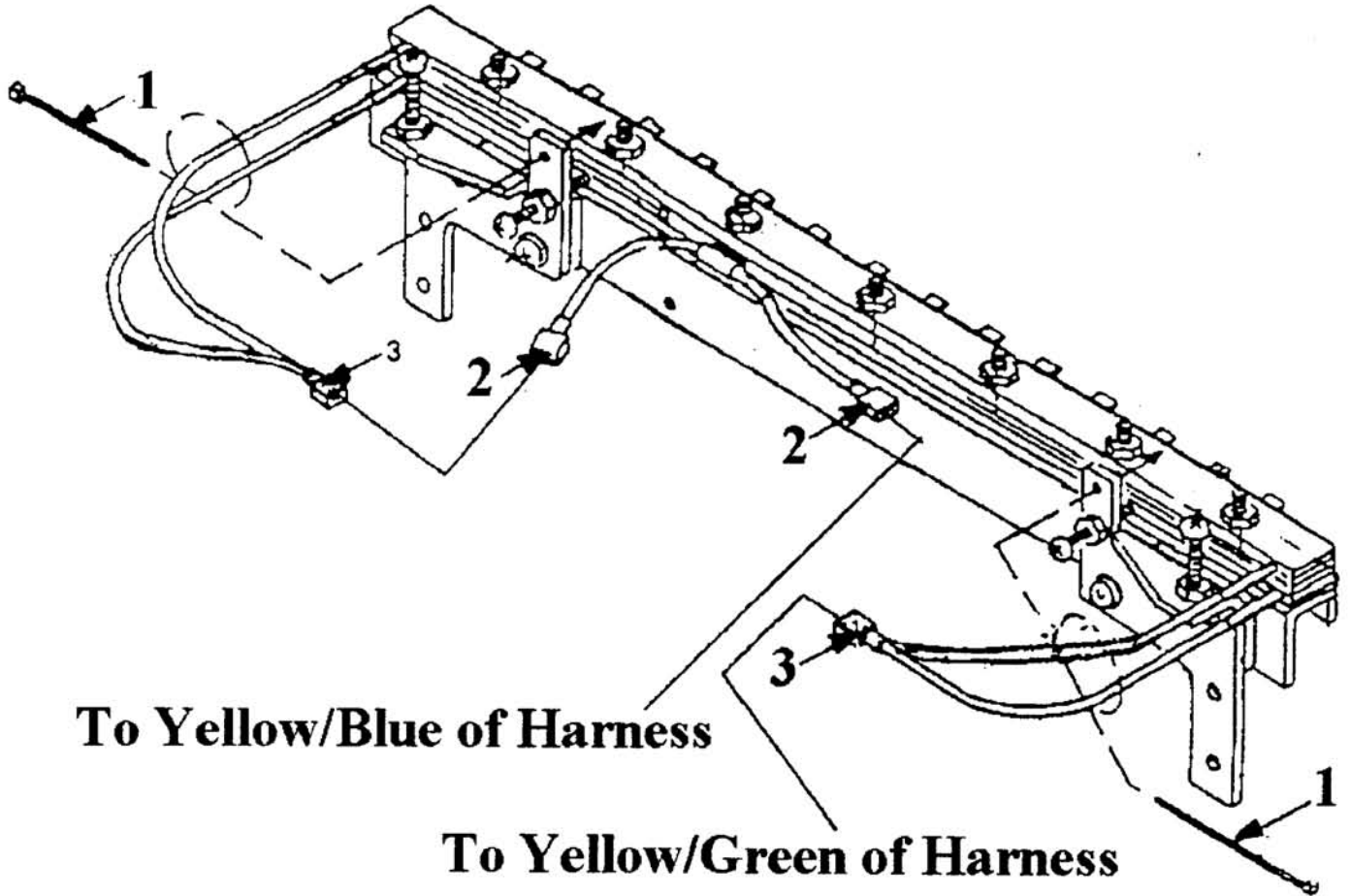


ITEM	PART NUMBER	DESCRIPTION	QTY
1	1926707	6/32 Hex Nut (was 9778588)	7
2	1926005	#6 Lock Washer (was 9779910)	7
3	9778754	Knife Heater Plate	1
	9778755	Knife Heater Plate (Wraparound)	1
4	9778289	Insulator	1
5	9778217	Upper Heater	1
	9781620	100 VAC Upper Heater	1
6	9776713	Knife Blade	1
	9781601	Knife Blade (SureBind)	1
	9776749	Knife Blade (Wraparound)	1
7	9778226	Lower Heater	1
	9781619	100 VAC Lower Heater	1
8	9778289	Insulator	1
9	9776705	Heater Support	1
	9776755	Heater Support (Wraparound)	1
10	9778294	Bracket Insulator	2
11	9776704	Left Heater Bracket	1
	9776757	Left Heater Bracket (Wraparound)	1
12	9779089	Thermistor Retainer	1
13	1925008	#8 Flat Washer (was 9779898)	5
14	1902809	8/32 X 1/2 Screw (was 9779175)	5
15	1926003	#8 Lock Washer (was 9779911)	4
16	1926711	4/40 Hex Nut (was 9778587)	2
17	1900023	4/40 X 3/4 Screw (was 9779170)	2
18	9776703	Right Heater Bracket	1
	9776756	Right Heater Bracket (Wraparound)	1
19	1926701	8/32 Hex Nut (was 9778589)	2
20	1902806	8/32 X 5/8 Screw (was 9779177)	2
21	1954422	Teflon Sleeve (was 9779410)	1
22	9778296	Ceramic Insulator	7
23	9781648	Thermistor Assembly	1
		(Includes Thermistor (9779435), Vinyl Tubing (1954424), 2 Terminals (1950731), and Terminal Housing (1951307))	
24	9781812	Cutoff Thermostat Assembly	1
		(Includes Cutoff (9779392), Male Terminal (1940802), and Female Terminal (1950122))	
N/A	9781645	Cable Clamps (not shown)	2



## 8.0 PARTS LIST

### 115V KNIFE WIRING



**To Yellow/Blue of Harness**

**To Yellow/Green of Harness**

Figure 8-7A

### KNIFE WIRING PART NUMBER GUIDE

ITEM #	PART #	DESCRIPTION	QTY
1	1932121	Cable Tie (was 9779396)	2
2	1940802	Insulated Terminal (was 9779385)	1
2A	1950122	Insulated Terminal	1
3	1950123	Insulated Terminal (was 9780158)	2

## 8.0 PARTS LIST

### 230 VOLT KNIFE WIRING

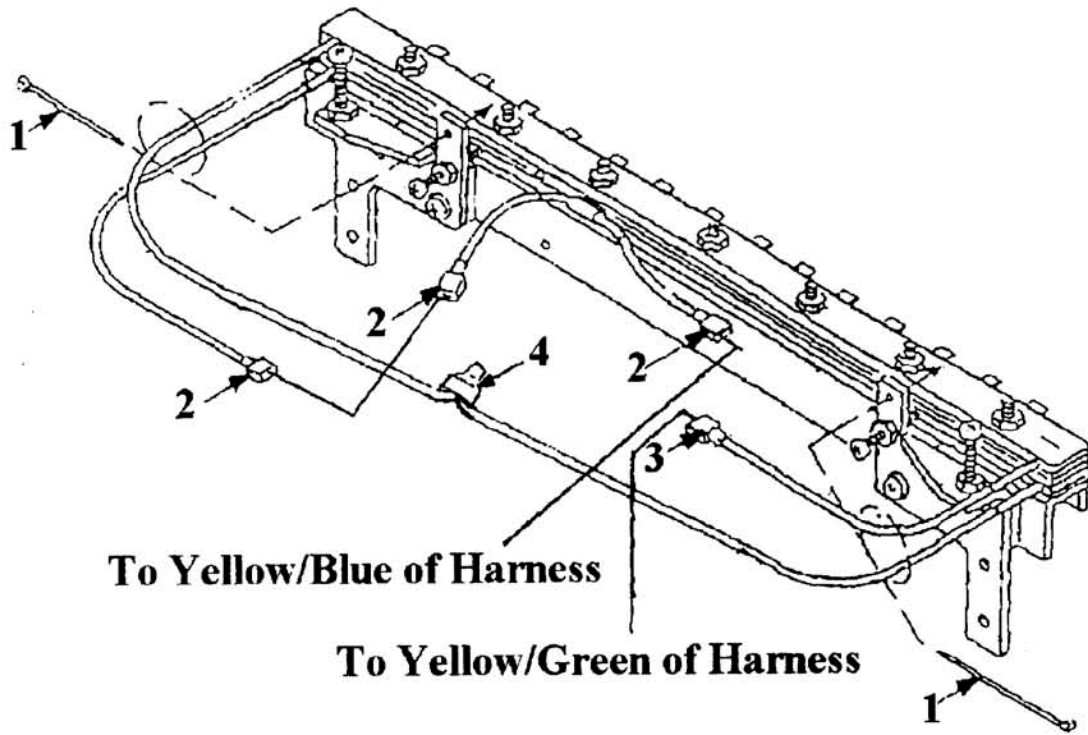


Figure 8-7B

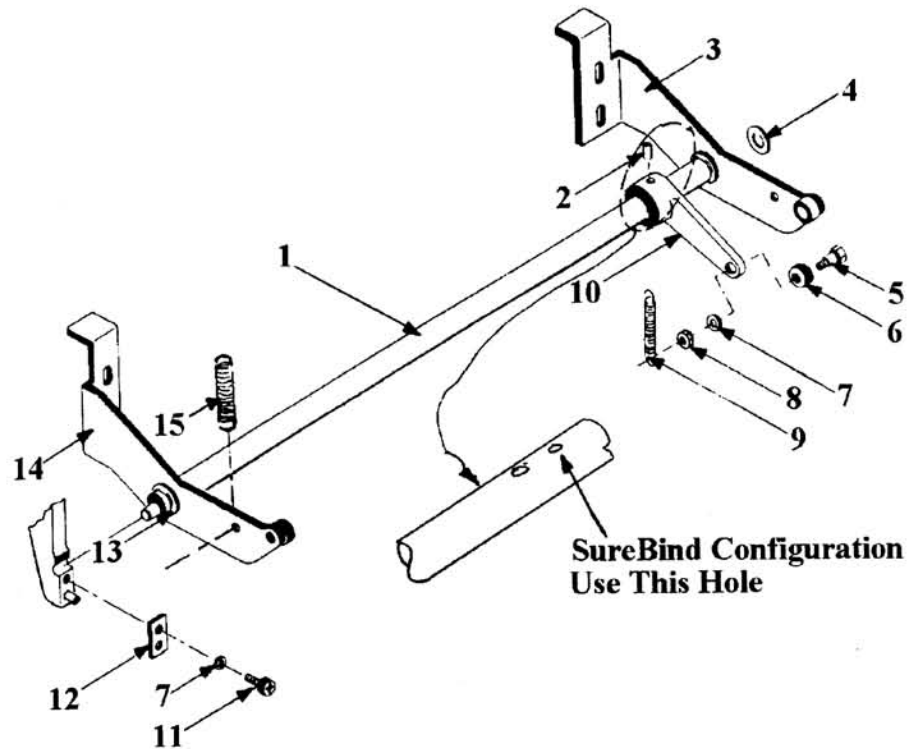
### KNIFE WIRING PART NUMBER GUIDE

ITEM #	PART #	DESCRIPTION	QTY
1	1932121	Cable Tie (was 9779396)	2
2	1940802	Insulated Terminal (was 9779385)	1
3	1950122	Insulated Terminal (was 9780158)	3
4	1940101	Splice Connector (was 9776789)	1

# 8.0 PARTS LIST

Figure 8-8

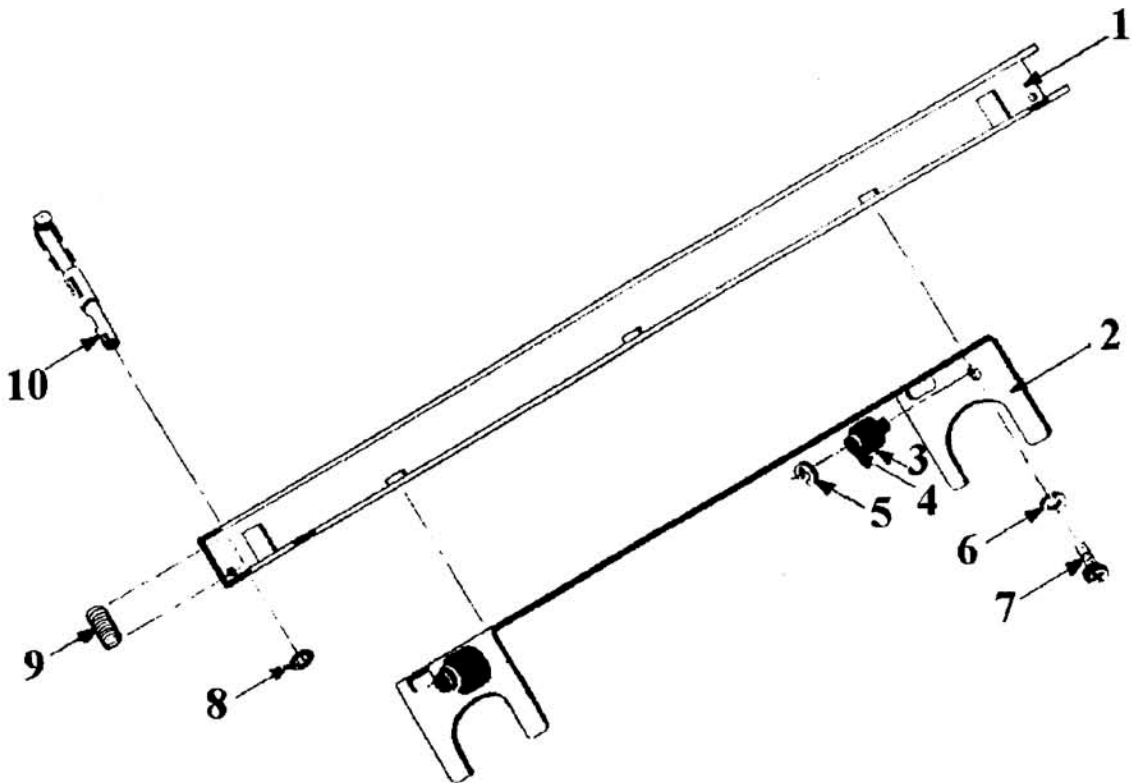
ITEM	PART NUMBER	DESCRIPTION	QTY
1	9779235	Cutter Arm Shaft	1
2	1929206	Roll Pin (was 9778666)	1
3	9776383	Right Cutter Arm Assembly	1
	9776392	Right Cutter Arm Assembly (Wraparound)	1
4	1925206	Teflon Washer (was 9778766)	2
5	9779346	Shoulder Screw	2
6	9779084	Roller	1
7	1926003	#8 Lock Washer (was 9779911)	3
8	1926701	8/32 Hex Nut (was 9778589)	1
9	9779260	Extension Spring	1
10	9776376	Extruder Arm	1
11	1907829	8/32 X 1/2 Screw (was 9779222)	2
12	9778751	Retaining Plate	2
13	1930522	E-Ring (was 9779072)	4
14	9776384	Left Cutter Arm Assembly	1
	9776393	Left Cutter Arm Assembly (Wraparound)	1
15	9779278	Extension Spring	2



## 8.0 PARTS LIST

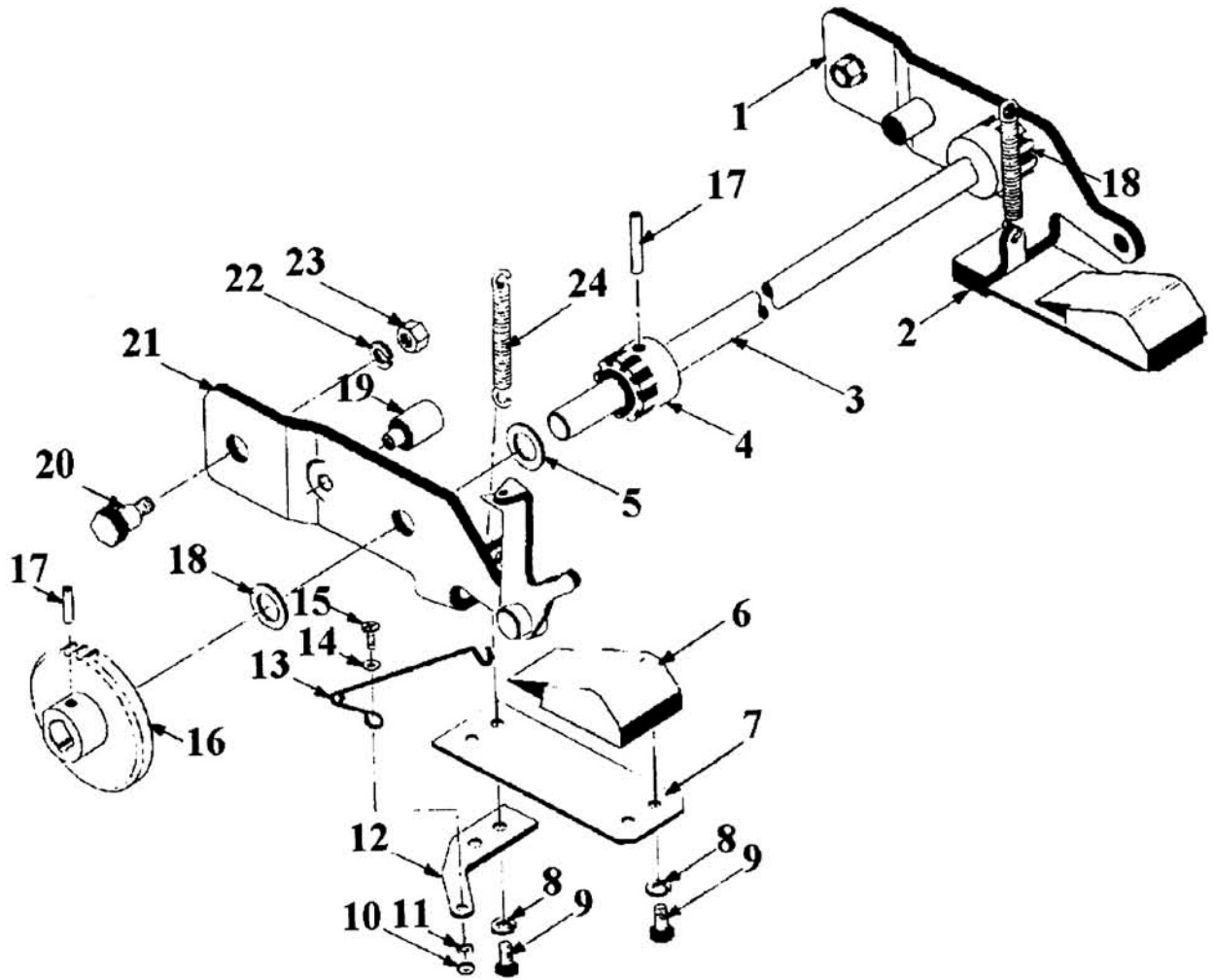
Figure 8-9

ITEM	PART NUMBER	DESCRIPTION	QTY
1	9776845	Cooling Finger Channel	1
	9781593	Cooling Finger Channel (SureBind)	1
2	9780060	Cooling Bracket	1
	9781594	Cooling Bracket (SureBind)	1
3	9779084	Roller	2
4	9779062	Rivet (was 9779091)	2
5	1930508	C-Clip (was 9779077)	2
6	1926005	#6 Lock Washer (was 9779910)	2
7	1902818	6/32 X 3/8 Screw (was 9779172)	2
8	1932502	Retaining Ring (was 9776950)	14
9	9779272	Cooling Finger Spring	14
10	9778687	Cooling Finger	14



# 8.0 PARTS LIST

Figure 8-10



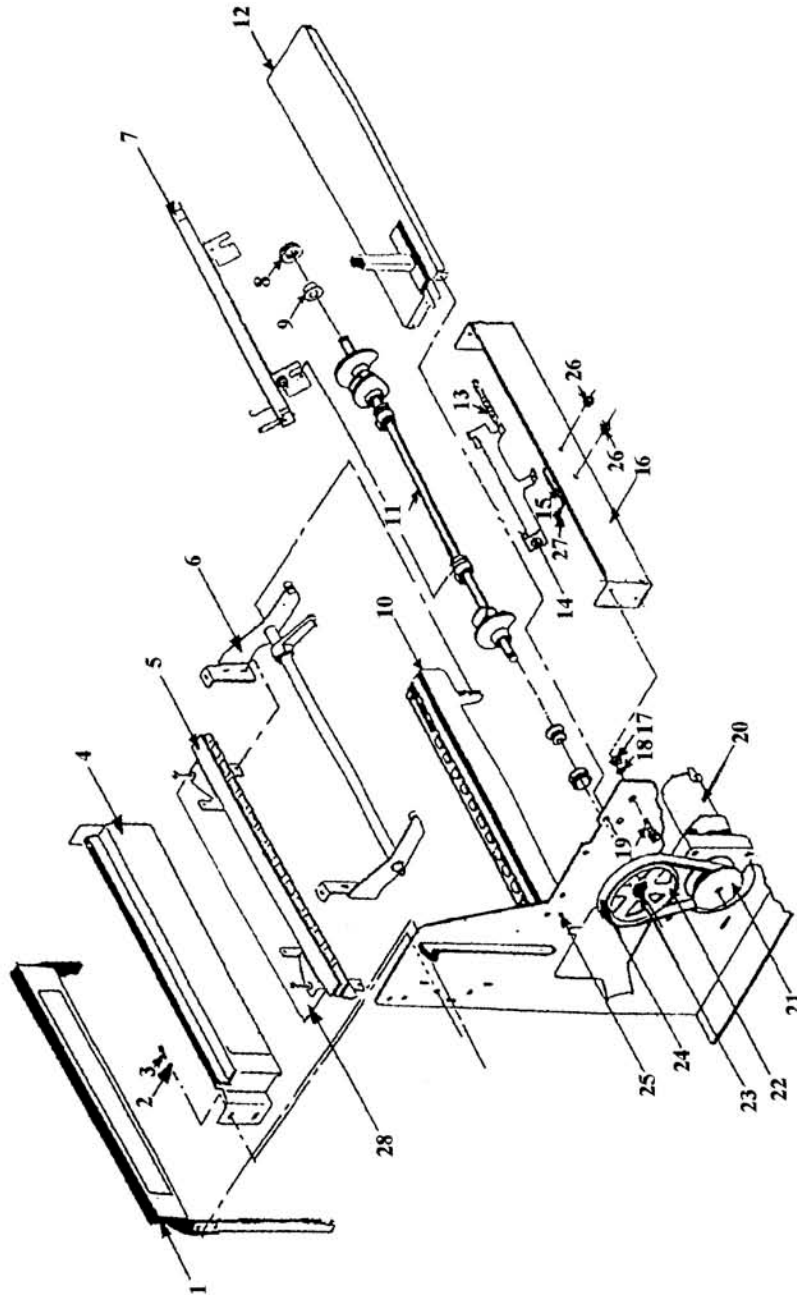
# 8.0 PARTS LIST

Figure 8-10

ITEM	PART NUMBER	DESCRIPTION	QTY
1	9778740	Right Pivot Plate	1
2	9779088	Retainer Plate	1
3	9779240	Timing Shaft	1
4	9778765	Pinion Gear	2
5	9779256	Spacer	2

6	9776847	Cam Follower	2
7	9779263	Flat Spring	2
8	1926005	#6 Lock Washer (was 9779910)	8
9	1907830	6/32 X 3/8 Phillips Screw (was 9779219)	8
10	1926711	4/40 Hex Nut (was 9778587)	1
11	1926007	#4 Lock Washer (was 9779909)	1
12	9779087	Retainer	1
13	9779280	Pawl Spring	1
14	1925012	#4 Flat Washer (was 9779896)	1
15	1900501	4/40 X 3/8 Socket Screw (was 9779118)	1
16	9779085	Ratchet	1
17	1929203	Roll Pin (was 9778665)	3
18	9779255	Spacer	2
19	9779059	Guide Rivet	2
20	9779337	Shoulder Screw	2
21	9778741	Left Pivot Plate	1
22	1926018	1/4 Lock Washer (was 9779913)	2
23	1926729	1/4-20 Hex Nut (was 9778591)	2
24	9779274	Spring	2

## 8.0 PARTS LIST



## 8.0 PARTS LIST

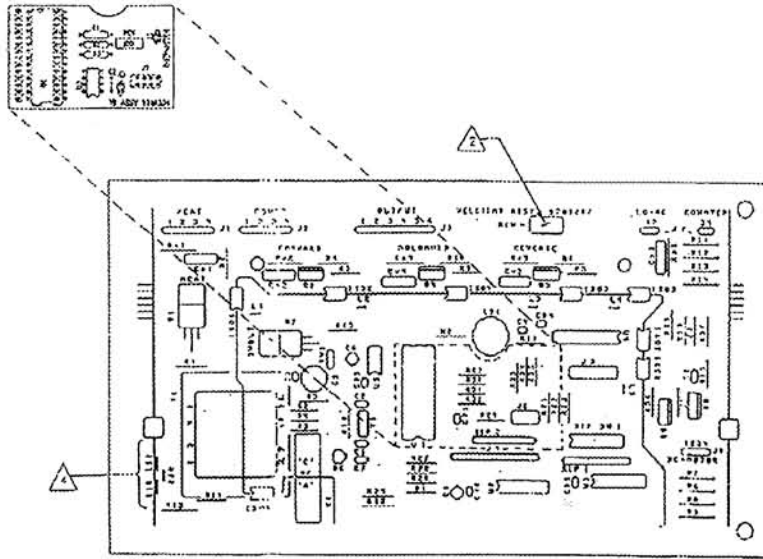
Figure 8-11

ITEM	PART NUMBER	DESCRIPTION	QTY
1	N.P.N.	Pressure Bar Assembly	1
2	1925119	#6 Flat Washer (was 9779897)	4
3	1907830	6/32 X 3/8 Phillis Screw (was 9779219)	4

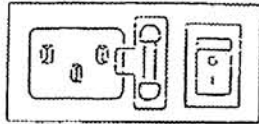
4	7705032	Backstop	1
	7705072	Backstop (SureBind)	1
5	9782060	120 Volt Knife Assembly (VeloBind)	1
	9781614	120 Volt Knife Assembly (SureBind)	1
	9782061	230 Volt Knife Assembly (VeloBind)	1
	9781613	230 Volt Knife Assembly (SureBind)	1
	9782062	100 Volt Knife Assembly (SureBind)	1
	9783615	120 Volt Knife Assembly (VeloBind Wraparound)	1
6	N.P.N.	Cutter Arm/Extruder Shaft Assembly	1
7	N.P.N.	Cooling Finger/Cooling Bracket Assembly	1
8	9776611	Bearing	2
9	9779236	Cam Shaft Journal	1
10	N.P.N.	Bridge Assembly	1
11	N.P.N.	Cam Shaft Assembly	1
12	N.P.N.	Bind Guide Assembly	1
13	9779891	Extension Spring	1
14	9780061	Solenoid Adjusting Bracket	1
	9781595	Actuator Switch Fixed (SureBind)	1
15	9780113	115 VAC Solenoid	1
	9780114	240 VAC Solenoid	1
	1930204	Cotter Pin	1
16	9781503	Front Support Plate	1
17	1926729	1/4-20 Hex Nut (was 9778591)	4
18	1926018	1/4 Lock Washer (was 9779913)	4
19	1900524	1/4-20 X 7/8 Socket Screw (was 9779141)	4
20	9778565	Bind Motor ( <i>Assembly includes Motor (9778565), Pulley (9778704), and Roll Pin (1929203) - Assembly Number is 9783619.</i> )	1
21	9778704	Bind Motor Pulley	1
22	9778705	Drive Pulley	1
23	9779072	E-Ring	1
24	9776613	Timing Belt	1
25	1902873	10/24 X 1/2 Phillips Screw (was 9779178)	2
26	1926707	6/32 Hex Nut (was 9778588)	4
27	1900545	6/32 X 1/2 Socket Screw (was 9779124)	4
28	9781322	Pin Deflector	1
	9781650	Grommet (was 9781650)	1
Not Shown	9779405	Transformer - 120 VAC (inside R.H. Side Plate)	1
	9781314	Transformer - 230 VAC (inside R.H. Side Plate)	1



# 8.0 PARTS LIST



9783670 - P.C. BOARD ASSEMBLY



P/N 9781703 POWER INLET CONNECTOR KIT  
P/N 9781185 - 5 X 20 MM FUSE, 4 AMP

