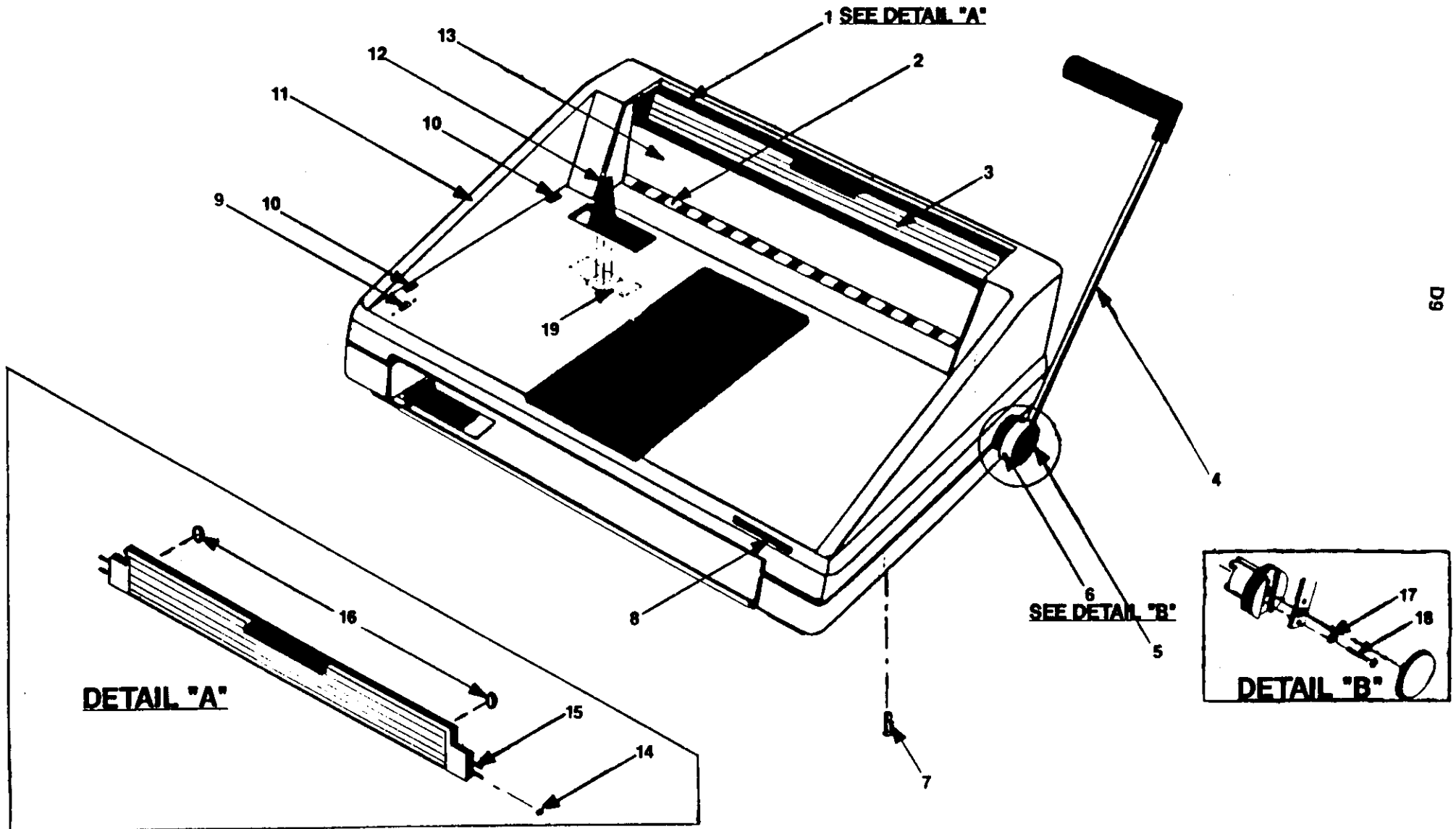


HOUSING/PRESSURE BAR/HANDLE ASSEMBLIES DIAGRAM

6-10

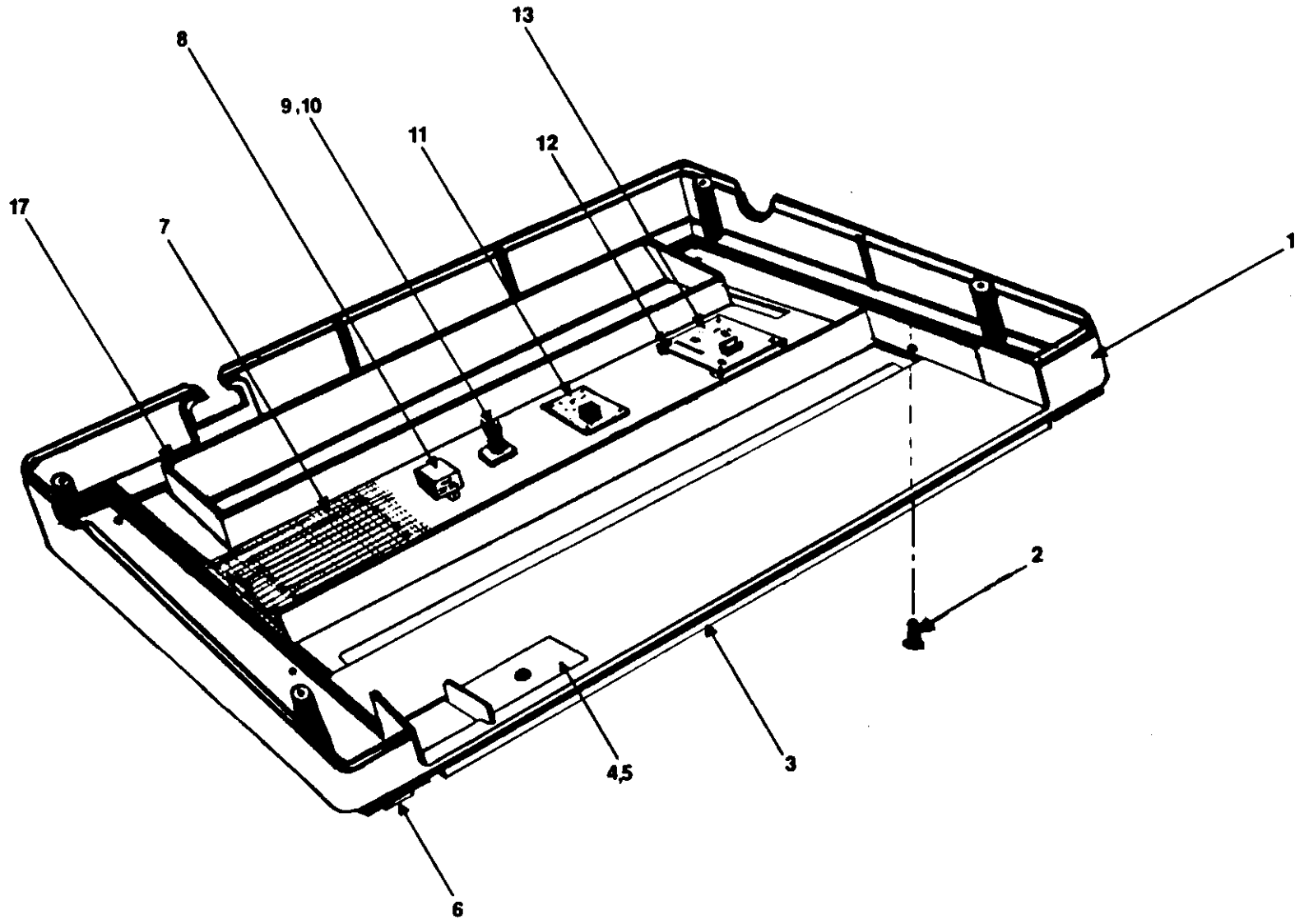


HOUSING/PRESSURE BAR/HANDLE PART NUMBER GUIDE

ITEM #	OLD PART NUMBER	NEW PART NUMBER	DESCRIPTION	QTY PER
1	51800400	9780034	Pressure Bar Assembly (500)	1
	51800900	9780040	Pressure Bar Assembly (262) (Includes Items 3,14, 15, & 16)	1
2	3801740	9778682	Locating Pin	1
3	10202200	9776410	Pressure Bar Logo (500)	1
	10204200	9776421	Pressure Bar Logo (262)	1
4	51300900	9780003	Handle Assembly (500)	1
	51301200	9780006	Handle Assembly (262)	1
5	1407701-08	9776831	Blue Handle Cap (500)	1
	11400200	9776569	Grey Handle Cap (262)	1
6	1407301-06	9776799	Chrome Coupling	1
7	1602670-01	9777348	1/4-14 X 3/4 Phillips Screw	4
8	10202300	9776411	Nameplate Logo (500)	1
9	52300491	9780087	Debind Switch Assy. (1")	1
	52300496	9780092	Debind Switch Assy. (1-1/2")	1
10	3100319-01	9778433	Lens	2
	30701300	9778390	Housing Assembly (500)	1
	30701100	9778389	Housing Assembly (262) (Includes Items 8, 12, 19)	1
12	1602706-04	9777385	Blue Bind Edge Guide (500)	1
	30901500	9778411	Grey Bind Edge Guide (262)	1
13	30600800	9778379	Blue Turret Assembly (500)	1
	1602693-03	9777364	Grey Turret Assembly (262) (Includes Item 2)	1
14	1602162-01	9776950	Retaining Ring	2
15	1602215-01	9776972	Groove Pin	4
16	3807526	9778772	Felt Pad	2
17	5100227-01	9779923	Internal Tooth Lock Washer	2
18	4300807-19	9779167	Pan Head Screw	2
19	1602171-01	9776954	Bind Edge Guide Spring	1
20	51201100	9779994	Blue Left Hand Plug (500)(N/S)	1
	51201000	9779993	Grey Left Hand Plug (262)(N/S)	1

NOTE: (N/S) Indicates not shown on diagram.

BASE ASSEMBLY DIAGRAM



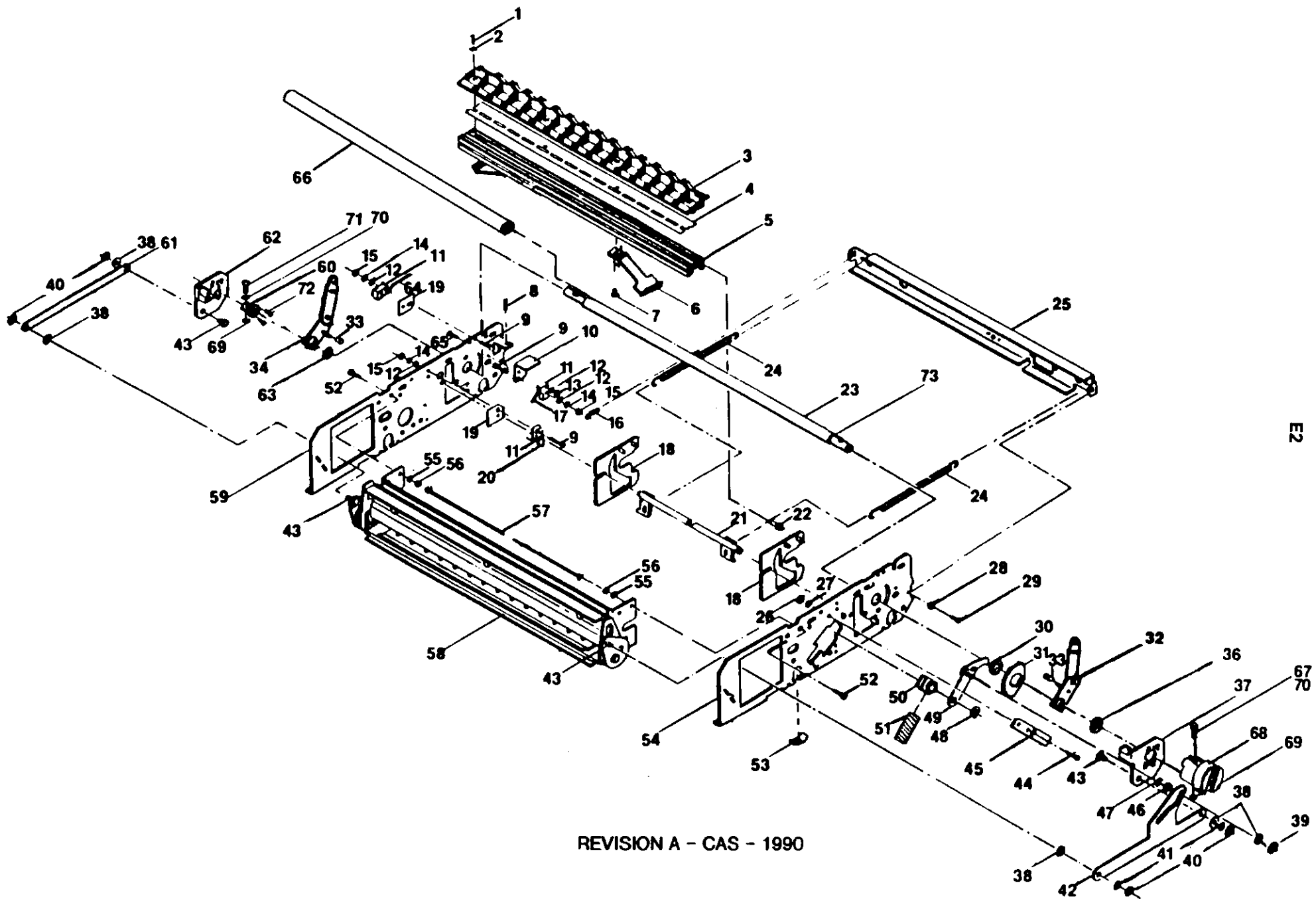
D11

BASE ASSEMBLY DIAGRAM PART NUMBER GUIDE

ITEM #	OLD PART NUMBER	NEW PART NUMBER	DESCRIPTION	QTY PER
1	51200500	9779989	Base Assembly (500)	1
	51200900	9779992	Base Assembly (262) (Includes Items 4-7, 9 10)	1
2	1602670-01	9777348	1/4-14 X 3/4 Phillips Screw	4
3	31000200	9778421	Medium Grey Debris Tray (500)	1
	31000300	9778422	Light Grey Debris Tray (262)	1
4	1602628-06	9777321	Blue Punch Guide (500)	1
	30901600	9778412	Dark Grey Punch Guide (262)	1
5	1602171-01	9776954	Punch Guide Spring	1
6	11700403	9776596	Rubber Foot	4
7	1206125	9776698	Perforated Barrier	1
8	52700590	9780115	120 VAC Spot Relay (500)	1
	52701093	9780121	240 VAC Spot Relay (262)	1
9	1602723-01	9777399	Fuse Holder	1
10	2000802-01	9778080	4 Amp Fuse	1
11	4102709	9779053	115 VAC Relay Board (500)	1
	4102710	9779054	240 VAC Relay Board (262)	1
12	1602162-01	9776950	Retaining Ring	6
13	52600100	9780108	Heat Control Board (115 VAC)	1
	52600101	9780109	Heat Control Board (240 VAC)	1
14	1602023	9776871	Warning Decal (N/S)	1
15	1602031	9776874	Fuse Warning Decal (N/S)	1
16	NOT USED			
17	11700402	9776595	Deflector	1

NOTE: (N/S) indicates not shown on diagram.

MODEL 500/262 CHASSIS ASSEMBLY DIAGRAM



REVISION A - CAS - 1990

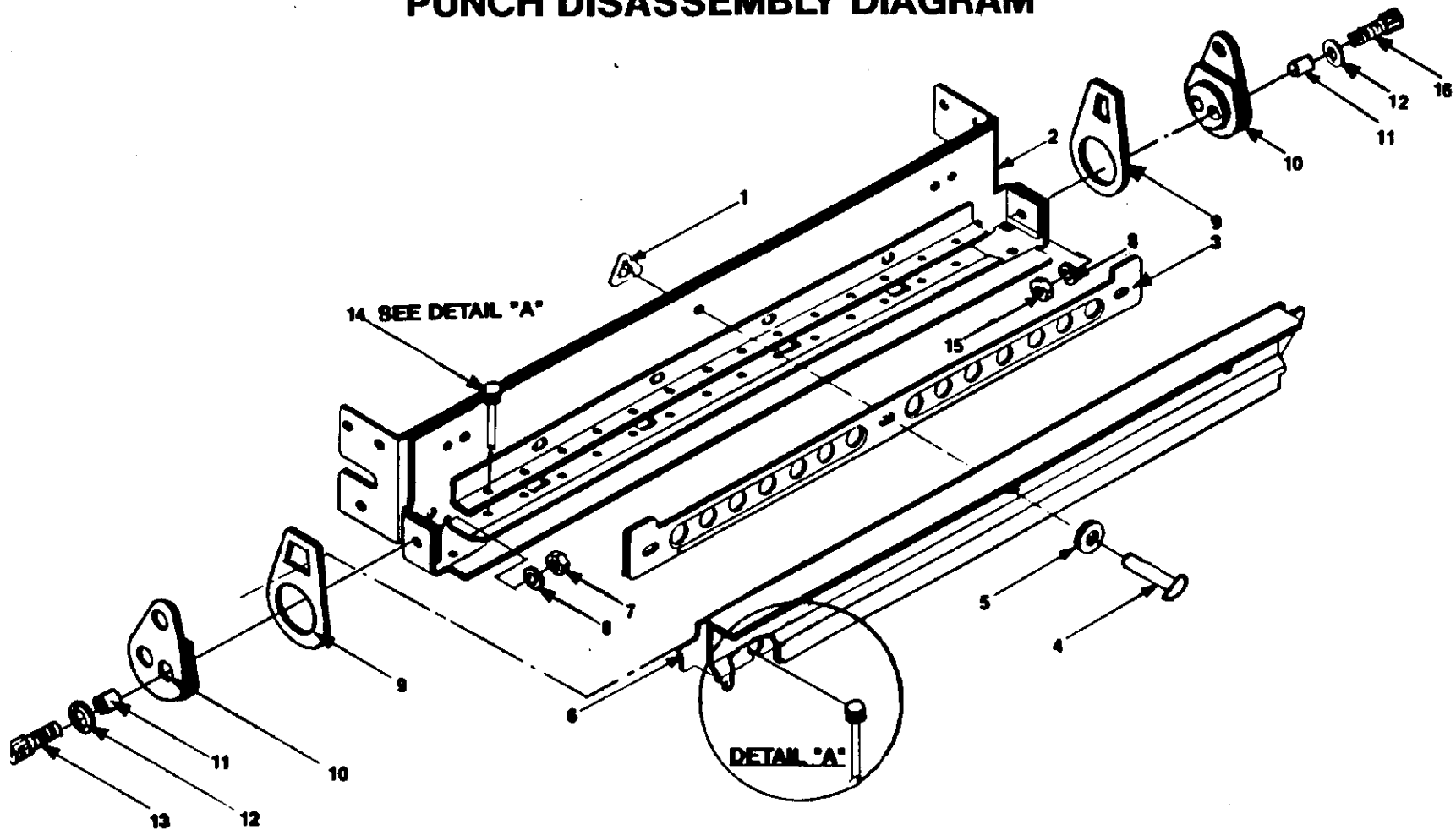
CHASSIS ASSEMBLY DIAGRAM PART NUMBER GUIDE

ITEM #	OLD PART NUMBER	NEW PART NUMBER	DESCRIPTION	QTY PER
1	4301700-09	9779213	#4 X 1/2 Slot Head Screw	4
2	5100004-01	9779896	#4 Flat Washer	4
3	53100002	9780125	Strip Blade Assembly	1
N/A	52500101	9780107	Heater Assembly (Includes Items 1-7 & 22)	1
4	2600821	9778291	Insulator	1
5	1206082	9776664	Heater Support Bar	1
6	4315746-01	9779281	Heater Support Spring	2
7	4301778-05	9779264	4/40 X 1/4 Screw	4
8	4301362	9779201	8/32 X 7/8 Socket Set Screw	1
9	4300713-11	9779162	2/56 X 5/8 Screw	5
10	1206110	9776682	Switch Bracket	1
11	4325030	9779315	Microswitch	3
12	5100162-01	9779917	#2 Flat Washer	5
13	3501200-01	9778594	2/56 Self Lock Nut	1
14	5100222-01	9779920	#2 Internal Tooth Washer	5
15	3501020-01	9778586	#2/56 Hex Nut	5
16	4315659-02	9779271	Extension Spring	1
17	1000017	9776359	Actuator (S3)	1
18	52200300	9780070	Left Hand Drive Plate	1
18A	52201604	9780082	Right Hand Drive Plate	1
19	2600822	9778292	Insulator	3
20	1602639-01	9777328	Switch Actuator (S2)	1
21	4310032-01	9779242	Timing Shaft Assembly	1
22	4330091	9779352	Heater Support Stud	4
23	50200300	9779869	Shaft	1
24	4315597-01	9779269	Drive Spring	2
25	1206113	9776683	Frame Brace	1
26	3501024-01	9778589	8/32 Hex Nut	1
27	5100246-01	9779926	#8 Lock Washer	1
28	5100245-01	9779925	#6 Lock Washer	2
29	4301901-07	9779225	6/20 X 3/8 Screw	2
30	11500300	9776572	Bearing	2
31	51100100	9779983	Ratchet	1
32	51401100	9780017	Pressure Bar Link Assembly	1
33	51000302	9779908	Drive Plate Stop Bushing	2
34	51400900	9780016	LH Pressure Bar Link Assembly	1
35	Not Used			
36	10900100	9776476	Right Hand Spacer	1
37	3100354-01	9778449	Right Hand Drive Link	1
38	5101410	9779932	Plastic Washer	5
39	4107001-16	9779068	E-Ring	1
40	4107001-17	9779069	E-Ring	4
41	3807507	9778766	Teflon Washer	2
42	1000012	9776356	Actuator	1
43	4330088	9779351	Pivot Stud	5
44	4300885-09	9779175	8/32 X 1/2 Round Head Screw	1

CHASSIS ASSEMBLY DIAGRAM PART NUMBER GUIDE

ITEM #	OLD PART NUMBER	NEW PART NUMBER	DESCRIPTION	QTY PER
45	1206092	9776667	Link Brace	1
46	4109042	9779084	Roller	1
47	5101410	9779932	Plastic Washer	1
48	3502709	9778606	Speed Nut	1
49	3807527	9778773	Pawl Assembly	1
50	1206083	9776665	Pillow Block	1
51	11900490	9776605	Compression Spring	1
52	4300008-13	9779115	1/4-28 X 7/8 Socket Screw	6
53	3502710	9778607	Speed Nut	4
54	52200400	9780071	Right Hand Side Plate	1
55	5100068-01	9779913	1/4 Lock Washer	6
56	3501008-01	9778585	1/4-28 Hex Nut	6
57	4322530	9779294	Harness Support	1
58	3805706	9778708	Punch Assembly	1
59	52200700	9780072	Left Hand Side Plate	1
60	51000100	9779902	Left Hand Bushing	1
61	3100349	9778447	Punch Link	1
62	3100354-02	9778449	Left Hand Drive Link	1
63	10900290	9776477	Left Spacer	1
64	1000013	9776357	Switch Actuator (S1)	1
65	4300913-11	9779181	2/56 X 5/8 Screw	1
66	50200400	9779870	Outside Shaft	1
67	11100990	9776496	10/32 X 1-1/2 Socket Screw	1
68	1407301-06	9776799	Drive Coupling	1
69	3501187	9778592	10/32 Lock Nut	2
70	5100007-01	9779899	#10 Flat Washer	2
71	11101090	9776498	10/32 X 1 Socket Screw	1
72	11101190	9776499	10/32 X 3/4 Flat Head Screw	2
73	51000200	9779903	Internal Bearing	1

PUNCH DISASSEMBLY DIAGRAM



REVISION A - CAS - 1990

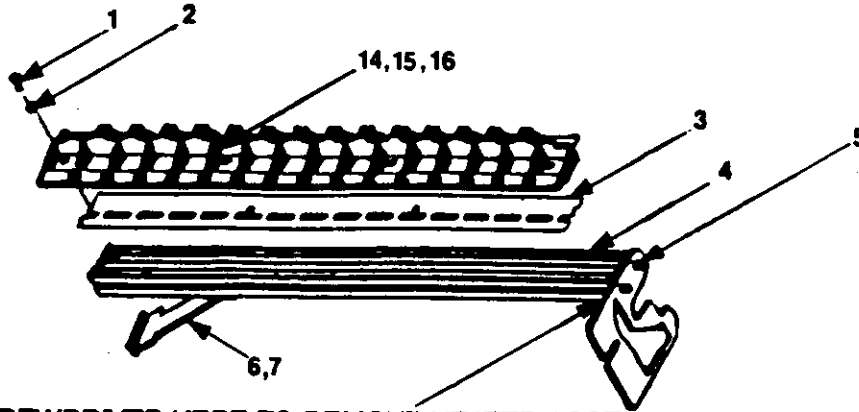
PUNCH DISASSEMBLY PART NUMBER GUIDE

ITEM #	OLD PART NUMBER	NEW PART NUMBER	DESCRIPTION	QTY PER
N/A	3805706	9778708	Punch Assembly	1
1	4107007-01	9779078	Retaining Clip*	3
2	2400847-03	9778197	Punch Housing	1
3	4313524	9779250	Punch Spacer	1
4	4106017-01	9779063	Retaining Pin	3
5	5101411	9779933	Punch Spacer	1
6	1000021-01	9776365	Punch Actuator	1
7	11101793	9776507	1/4-28 L. H. Thread Nut	1
8	5100068-01	9779913	1/4-28 Lock Washer	2
9	3100348	9778446	Punch Link	2
10	1602053	9776879	Eccentric Drive	2
11	4313536-01	9779257	Spacer	2
12	5100128-01	9779915	Flat Washer	2
13	11101792	9776506	1/4-28 X 1 L.H. Thread Screw	1
14	3801743	9778684	Punch Pin	11
15	3501008-01	9778585	1/4-28 R.H. Thread Nut	1
16	4300008-15	9779116	1/4-28 R.H. Thread Screw	1

NOTE: Detail "A" illustrates one of the cutouts in the Punch Actuator which fit over the Punch Pin Heads. When reassembling the Punch, the cutouts in the Punch Actuator must fit over the heads of all the Punch Pins before securing the Punch Actuator to the Punch Housing.

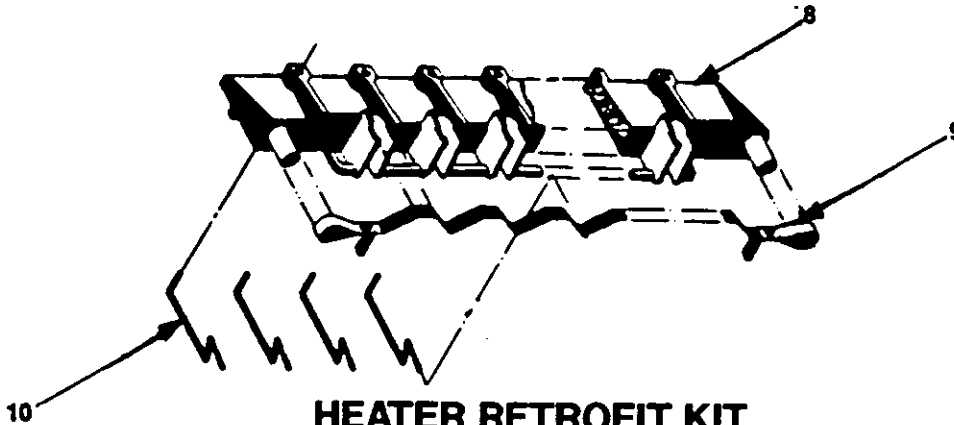
NOTE 2: The Retaining Clips can be easily and securely installed by using a Punch Housing Tool (Part Number 1603165 [9777705]). This is basically a "C Clamp" which has a drilled out hole for the Retaining Pin to protrude through as the "C Clamp" tightens the Retaining Clip over it. THERE MUST BE NO PLAY BETWEEN THE PUNCH ACTUATOR, SPACER, AND HOUSING WHEN THE PUNCH ASSEMBLY IS REASSEMBLED.

HEATER DISASSEMBLY DIAGRAM



INSERT SCREWDRIVER HERE TO REMOVE HEATER ASSEMBLY

HEATER ASSEMBLY



HEATER RETROFIT KIT



ARRESTOR SCREWS INSERTED INTO GROOVE IN SUPPORT

INSTALLING TRAVEL ARRESTOR

HEATER DISASSEMBLY DIAGRAM PART NUMBER GUIDE

ITEM #	OLD PART NUMBER	NEW PART NUMBER	DESCRIPTION	QTY PER
N/A	52500101	9780107	Heater Assembly (Includes Items 1-13)	1
1	4301700-09	9779213	#4 X 1/2 Slot Head Screw	4
2	5100004-01	9779896	#4 Flat Washer	4
3	2600821	9778291	Insulator	1
4	1206082	9776664	Heater Support Bar	1
5	4330091	9779352	Heater Support Stud	4
6	4315746-01	9779281	Heater Support Spring	2
7	4301778-05	9779264	4/40 X 1/4 Screw	4
8	4322529	9779293	Heater Support	1
9	53100002	9781638	Strip Blade Assembly	1
10	4315596	9779268	Tensioner Springs	14
11	1602163-01	9776951	Travel Arrestor (Long)	1
12	1602163-02	9776952	Travel Arrestor (Short)	1
13	4301762-05	9779218	Travel Arrestor Screws	2
14	4507558-01	9779450	Thermistor Assembly	1
15	50701200	9779884	Thermistor Retainer	1
16	1407745-01	9776861	Heatsink Compound	A/R