

REVISED

7:41 am, Mar 06, 2009

UCHIDA

UCHIDA BC-10 BUSINESS CARD CUTTER

PARTS LIST



UCHIDA YOKO CO., LTD.

2006. 3.

CONTENTS

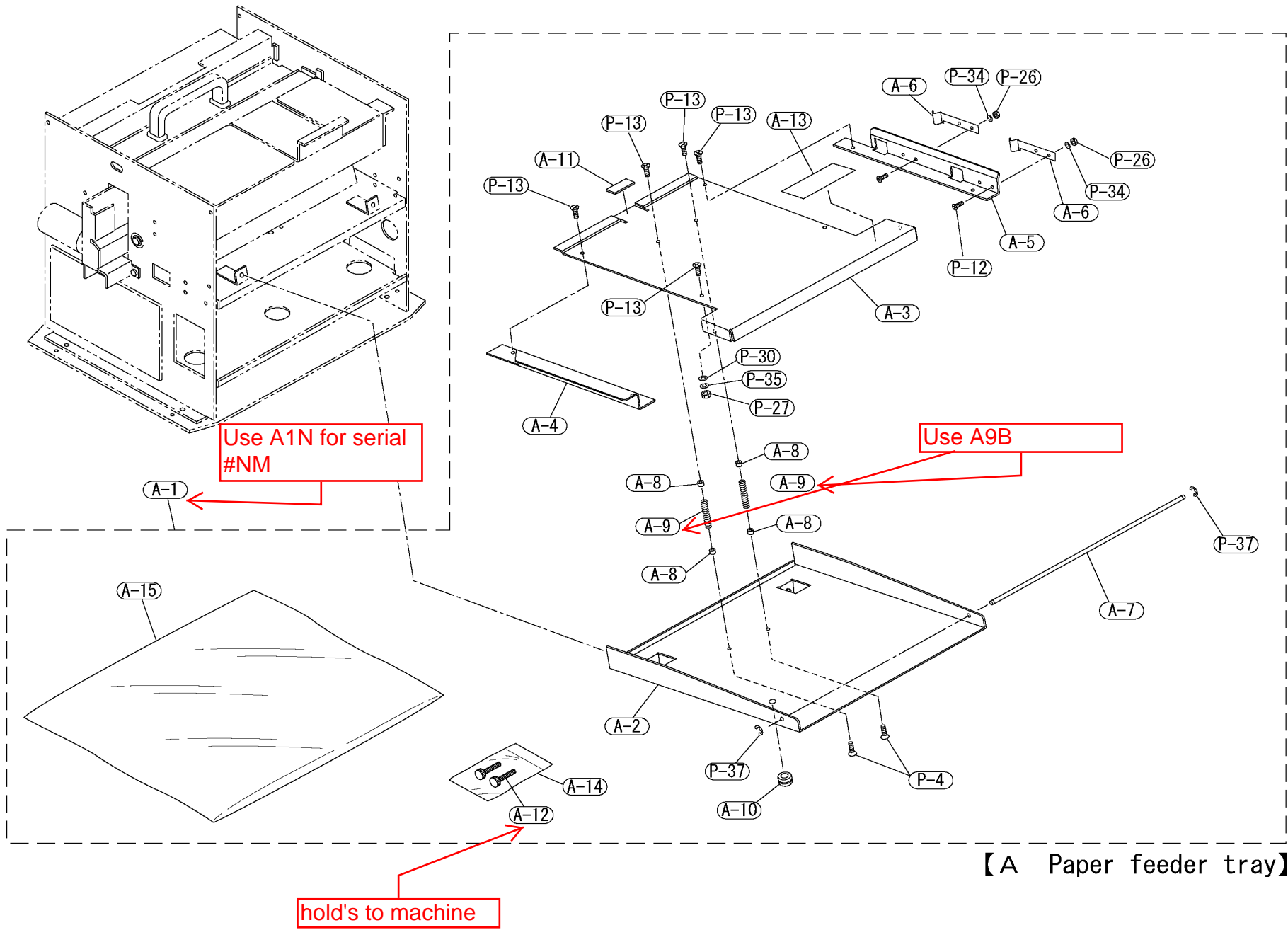
A	Paper feeder tray	1~2
B	Paper feeder unit	3~4
C	Cutter unit	5~6
D	Pressure unit	7~8
E	Slitter unit	9~10
F	First feeder plate	11~12
G	Second feeder plate	13~14
H	Feed roller	15~16
I	Base plate	17~18
J	Side plate(R)	19~20
K	Side plate(L)	21~22
L	Upper cover, Front panel, Rear panel	23~24
M	Cover	25~26
N	Stacker box, Trash box	27~28
O	Harness	29
P	Screw, Nut, Washer	30

【A Paper feeder tray】

No.	Parts Name	Material	Q'ty
A-1	Paper feeder tray Assy		1
A-2	Frame	SUS-304 t=1.2	1
A-3	Hopper plate	SUS-304 t=1.2	1
A-4	Side guide(L)	SUS-304 t=1.2	1
A-5	Side guide(R)	SUS-304 t=1.2	1
A-6	Flat spring	SUS-304 CSP t=0.2	2
A-7	Hopper hinge shaft	SUS303B-D	1
A-8	Spring stay	C3604BD	4
A-9	Spring	SUS304-WPB	2
A-10	Grommet	SBR	1
A-11	Cork sheet	30×10mm t=2.0	1
A-12	Set screw		2
A-13	Coution label		1
A-14	PE bag for fix screw	PE t=0.05	1
A-15	PE bag for paper feeder tray	PE t=0.06	1
P-12	Screw, flat head M2×5	SWCH	4
P-13	Screw, flat head M3×5	SWCH	6
P-26	Nut, hex M2	SWCH	4
P-27	Nut, hex M3	SWCH	1
P-4	Screw, B-SEMS M3×6	SWCH	2
P-30	Washer, flat M3	SS400	1
P-34	Washer, split lock M2	SWRH	4
P-35	Washer, split lock M3	SWRH	1
P-37	E-ring, E-4	SWRH	2

Use A1N for serial #NM

Use A9B



【B Paper feeder unit】

No.	Parts Name	Material	Q'ty
B-1	Paper feeder unit ASSY		1
B-3	Upper frame	SECC t=1.6	1
B-4	Upper beam 1	SECC t=1.2	1
B-5	Upper beam 2	SECC t=1.2	1
B-6	Plate 1	SECC t=1.0	1
B-7	Plate 2	SECC t=1.0	1
B-9	Cushion		1
B-10	Static eliminator		1
B-11	Pick up frame	SECC t=1.6	1
B-12	Pick up motor		1
O-11	Pick up motor harness		1
B-13	Pick up motor bracket	SECC t=1.6	1
B-14	Motor shaft pulley		1
B-15	Timing belt		1
B-16	Pick up roller		1
B-17	Pick up holder		1
B-18	Roller shaft	SUS303B-DG	1
B-19	Roller shaft pulley		1
B-20	Bearing		4
B-21	One-way clutch		1
B-22	Set screw	SWRM	1
B-23	First pressure roller ASSY		1
B-24	Pressure roller	URETHANE/C3604B	2
B-25	Pressure roller shaft	SUS303B-DG	1
B-26	Pressure roller shaft frame	SECC t=1.2	1
B-27	Roller shaft bearing		2
B-29	Pinch bracket		2
B-30	Pinch bracket shaft	SUS303B-DG	2
B-31	Caution label		1
B-28	Adjust bolt	SCM435	1
B-32	Spring	SUS304-WPB	1
P-12	Screw, flat head M2×5	SWCH	1
P-13	Screw, flat head M3×5	SWCH	16
P-27	Nut, hex M3	SWCH	2
P-29	Nut, hex M5	SWCH	1
P-4	Screw, B-SEMS M3×6	SWCH	22
P-30	Washer, flat M3	SS400	1
P-22	Screw, hex socket set M3×3	SCM435	6
P-37	E-ring, E-4	S60CM	4
P-38	E-ring, E-5	S60CM	6

Use B1N for Serial #'s NM

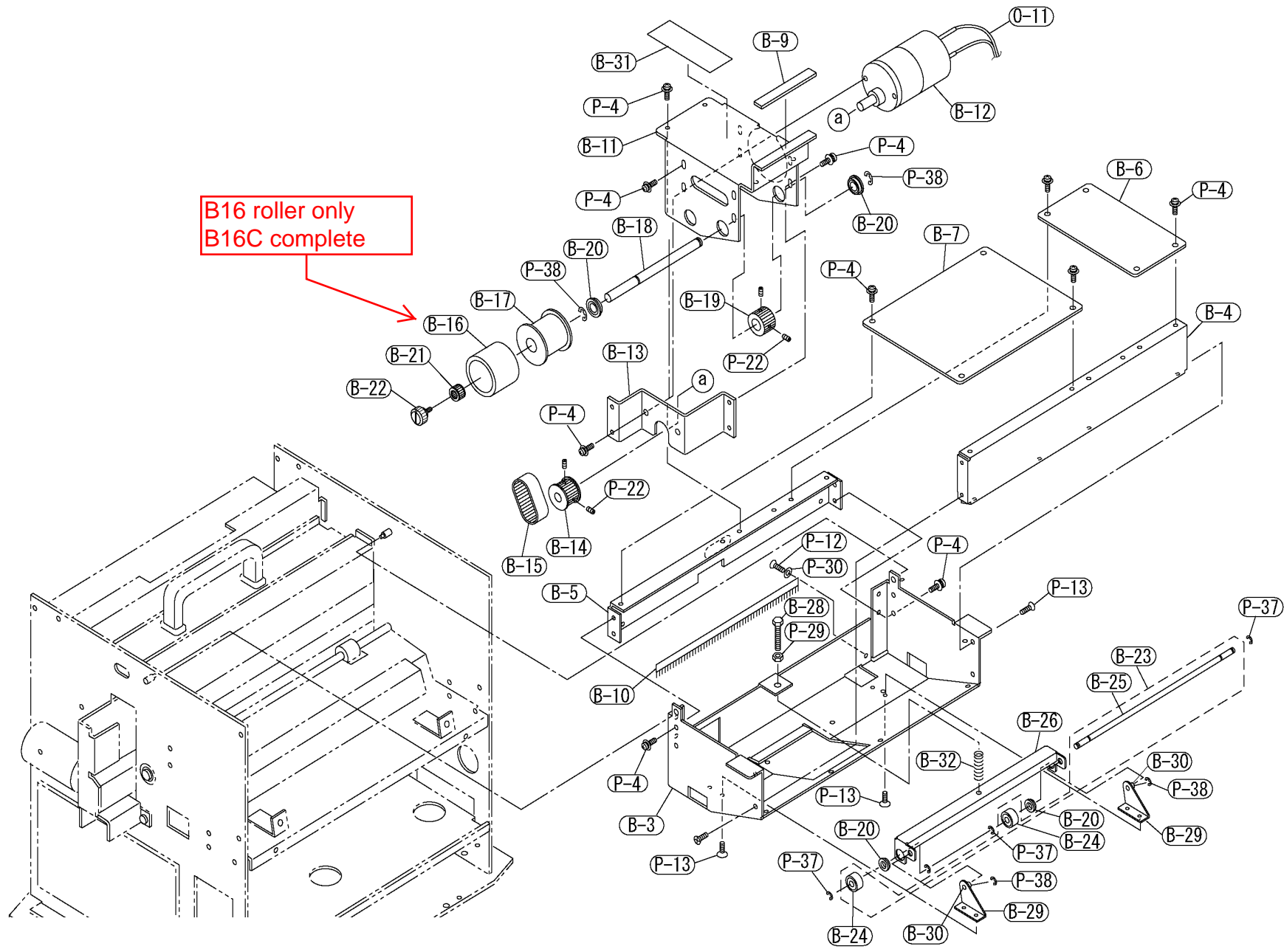
comes w/B12

B16 roller only B16 complete

comes w/B16

should use B16C

comes w/B29



【B Paper feeder unit】

【C Cutter unit】

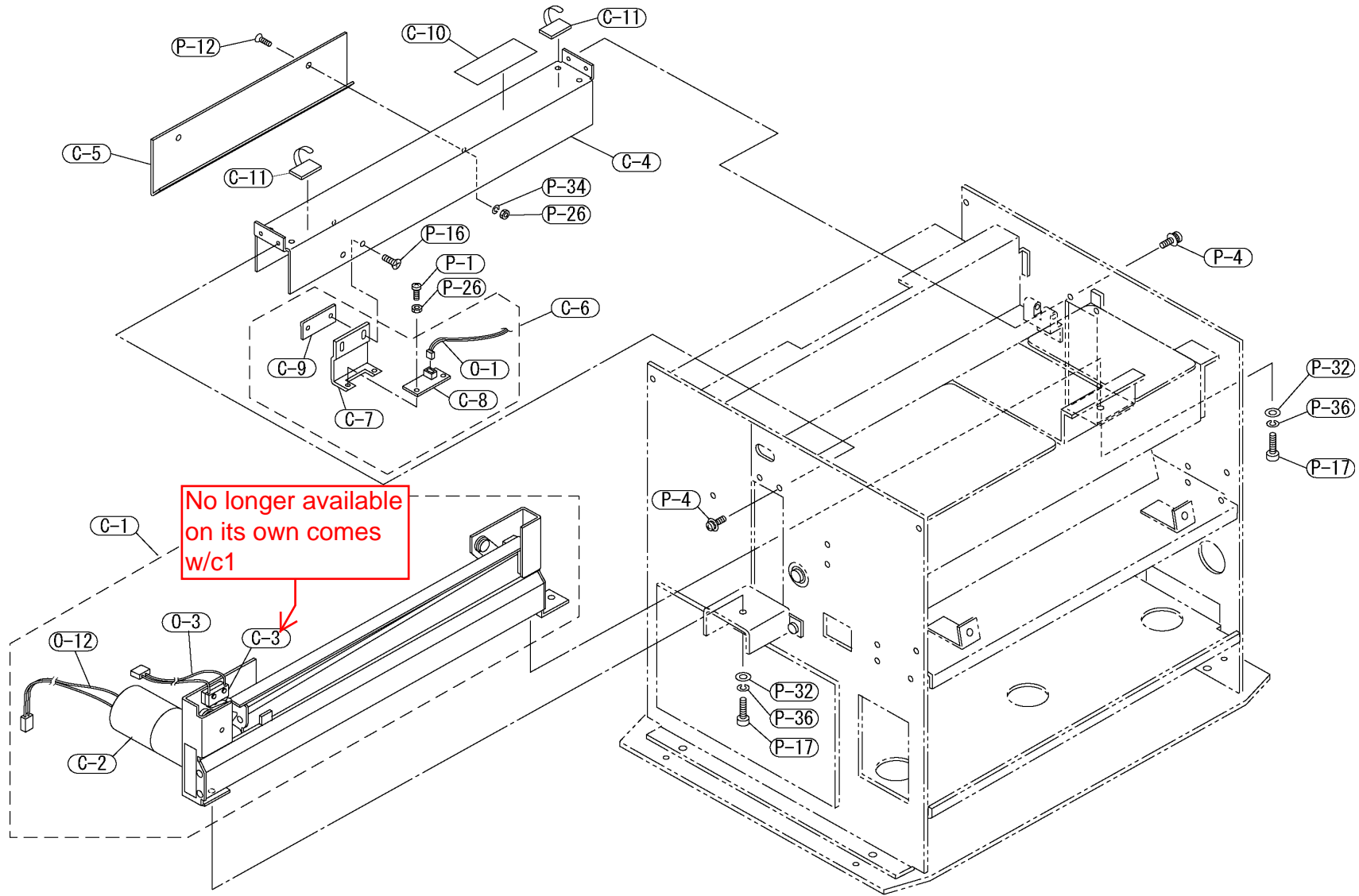
No.	Parts Name	Material	Q'ty	
C-1	Cutter unit		1	
C-2	Cutter unit motor		1	
O-12	Cutter unit harness		1	
C-3	Cutter sensor		1	
O-3	Cutter sensor harness		1	
C-4	Cutter cover	SECC t=1.2	1	
C-5	Cut sheet guide	SECC t=1.0	1	
C-6	S2 sensor ASSY		1	
C-7	S2 sensor Bracket	SPCC t=2.3	1	
C-8	S2 sensor PCB		1	
O-1	S2 sensor harness		1	
C-9	Nut plate	SPCC t=2.3	1	
C-10	Warning label		1	
C-11	Sticker with sponge		2	
P-12	Screw, flat head M2×5	SWCH	2	
P-16	Screw, flat head M3×8	SWCH	2	
P-26	Nut, M2	SWCH	2	
P-4	Screw, B-SEMS M3×6	SWCH	4	
P-17	Screw, hex socket cap M4×10	SCM435	2	
P-32	Washer, flat M4	SS400	2	
P-36	Washer, split lock M4	SWRH	2	
P-34	Washer, split lock M2	SWRH	2	
P-1	Screw, pan head M2×5	SWCH	2	

no longer available as individual comes w/c1

Use C5N for Serial #'s NM

comes w/C6

Use C6

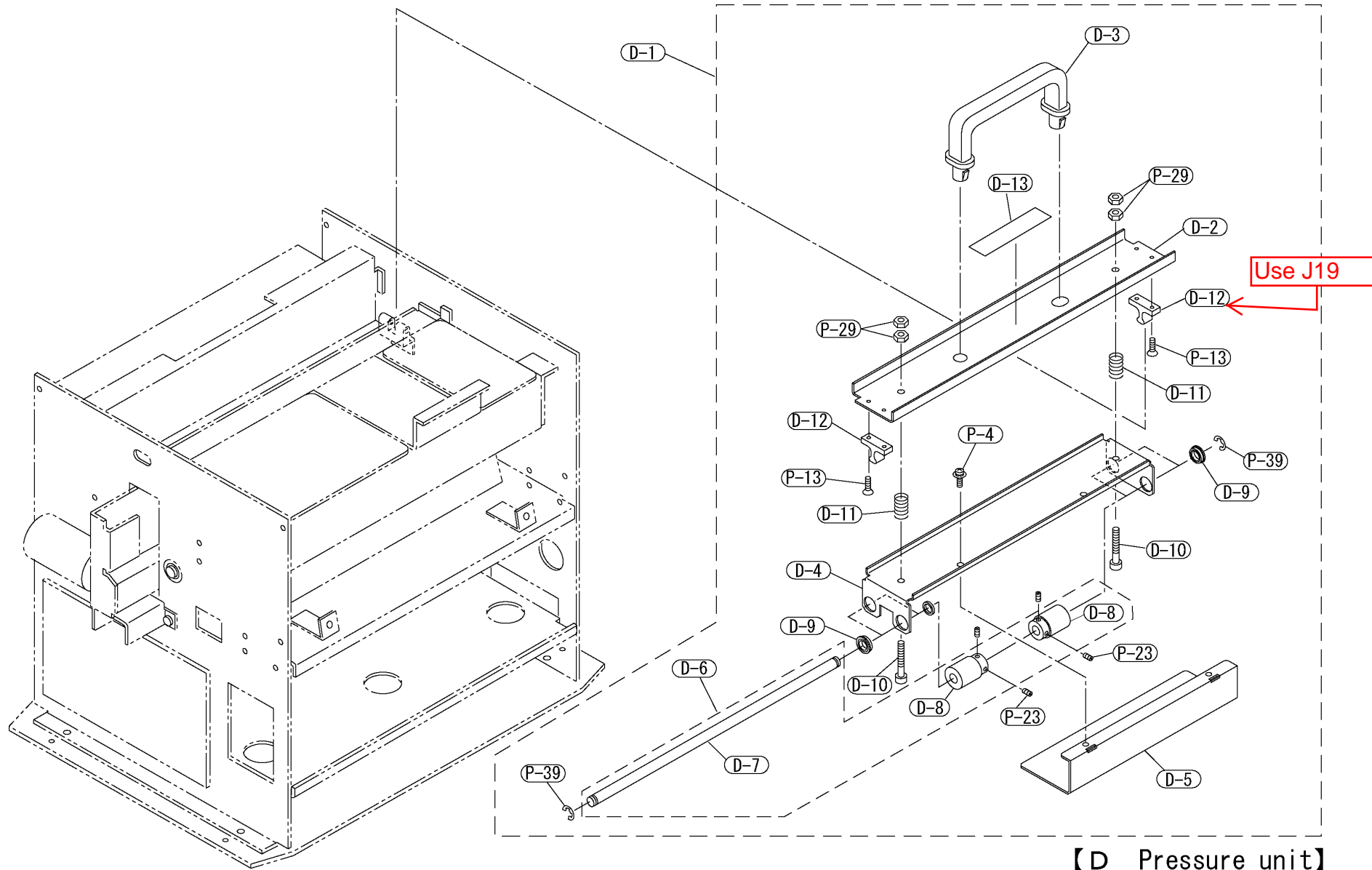


【C Cutter unit】

【D Pressure unit】

No.	Parts Name	Material	Q'ty
D-1	Pressure unit ASSY		1
D-2	Upper frame		1
D-3	Handle	PA	1
D-4	Lower frame		1
D-5	Guide plate		1
D-6	Pressure roller shaft ASSY		2
D-7	Roller shaft		2
D-8	Roller	C3604B URETHANE	4
D-9	Roller shaft bearing		4
D-10	Hex socket cap bolt M5×40	SCM435	2
D-11	Spring	SWP	2
D-12	Ball catcher (U)		2
D-13	Caution label		1
P-13	Screw, flat head M3×5	SWCH	4
P-4	Screw, B-SEMS M3×6	SWCH	2
P-29	Nut, hex M5	SWCH	4
P-39	E-ring, E-6	S60CM	4
P-23	Screw, hex socket set M3×4	SCM435	8

Use D1N for Serial #'s NM



【E Slitter unit】

No.	Parts Name	Material	Q'ty
E-1	Slitter unit ASSY		1
E-3	Slitter frame	SECC t=1.6	1
E-4	Upper beam	SECC t=1.2	1
E-5	Lower beam	SECC t=1.0	1
E-6	Side trash guide	SECC t=1.0	2
E-7	Center trash guide	SECC t=1.6	1
E-8	Slitter motor		1
O-13	Slitter motor harness		1
O-14	Slitter motor extention harness		1
E-9	Slitter motor bracket		1
E-10	Slitter motor shaft pulley		1
E-11	Timing belt		1
E-12	Thin brade ASSY		4
E-13	Thin brade	SKH51	4
E-14	Thin brade holder	C3604B	4
E-15	Thin brade holder spacer	POM	4
E-16	Thin brade pin	SUS303B-DG	4
E-17	Spring holder	POM	4
E-18	Spring	SWP	4
E-19	Thick brade(single)	SKD11	2
E-20	Thick brade(double)6mm	SKD11	1
E-21	Thick brade(double)12.7mm	SKD11	1
E-22	Slitter feed roller	B 3 6 0 4 B/EPDM	2
E-23	Tention roller	POM	2
E-24	Tention roller bearing		4
E-25	Spacer		10
E-27	Shim	SUS304	3
E-28	Shaft thin brade	SUS303B-DG	1
E-29	Shaft thick brade	SUS303B-DG	1
E-30	Thick brade shaft pulley		1
E-31	Gear(32)	POM/C3604B	1
E-32	Gear(28)	POM/C3604B	1
E-33	Bearing		4
E-34	Delivery roller 1 ASSY		1
E-35	Delivery roller shaft 1	SUS303B-DG	1
E-26	Delivery roller 1	POM	4
E-36	Delivery roller 2 ASSY		1
E-37	Delivery roller shaft 2	SUS303B-DG	1
E-38	Delivery roller 2	NEOPRENE	6
E-39	Gear(12)	POM	1
E-40	Gear(12)	POM	1

ONLY COMES COMPLETE

E3, E4, & E5 comes w/E1

Actual part #PAUE-6

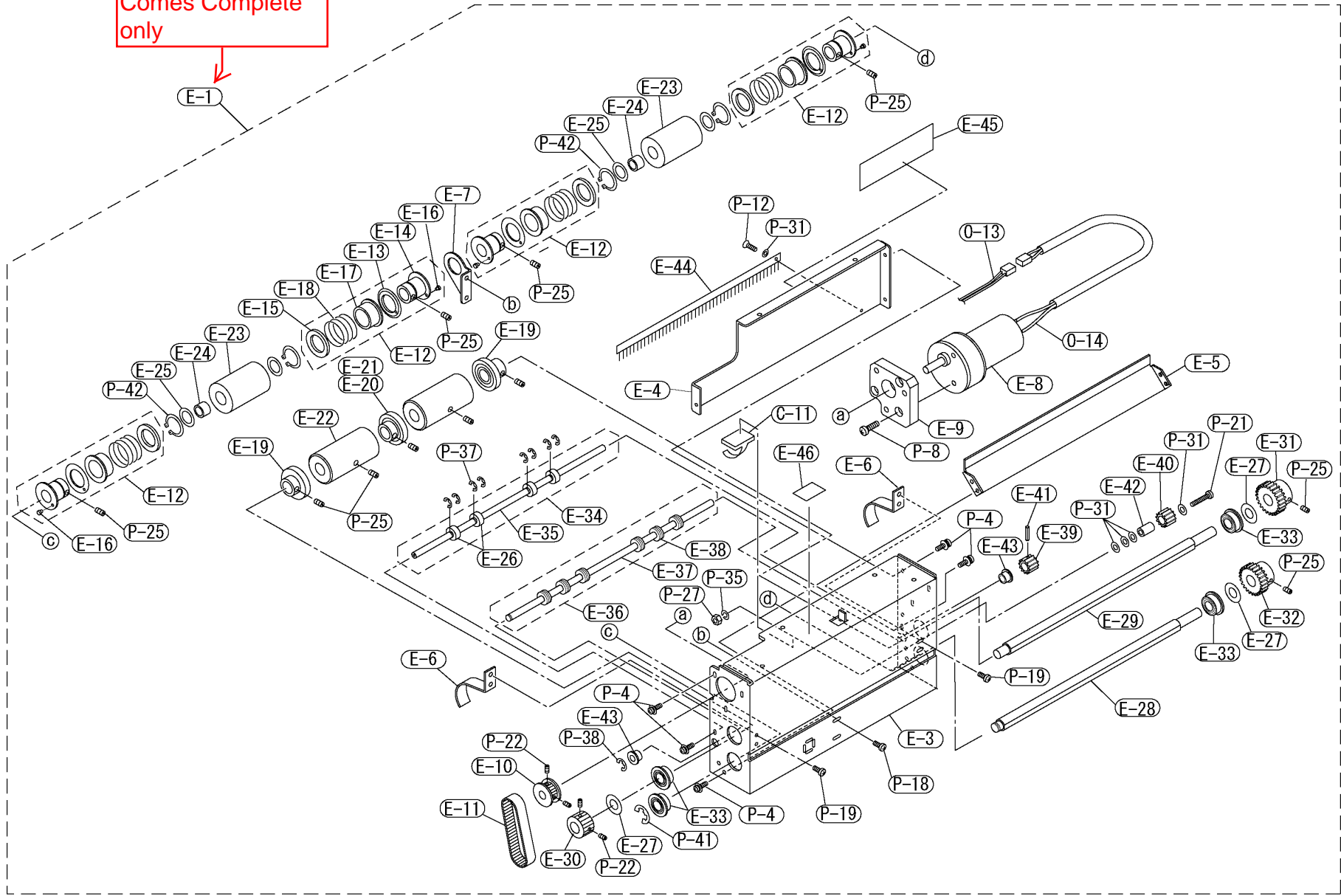
O13 & O14 comes w/E8

E13 - E18 comes w/E12

【E Slitter unit】

No.	Parts Name	Material	Q'ty
E-41	Spring pin		1
E-42	Collar	C3604BD	1
E-43	Delivery roller bearing		2
E-44	Static eliminator		1
C-11	Sticker with sponge		1
E-45	Warning label		1
E-46	Center label		1
P-41	E-ring, E-8	S60CM	1
P-37	E-ring, E-4	S60CM	8
P-38	E-ring, E-5	S60CM	1
P-42	C-ring, C-18	S60CM	4
P-4	Screw, B-SEMS M3×6	SWCH	14
P-18	Screw, binding M3×4	SWCH	2
P-19	Screw, binding M3×6	SWCH	4
P-21	Screw, binding M3×20	SWCH	1
P-12	Screw, flat head M2×5	SWCH	1
P-30	Washer, flat M3	SS400	1
P-31	Washer, flat M3(small)	SS400	5
P-35	Washer, split lock M3	SWRH	1
P-27	Nut, hex M3	SWCH	1
P-8	Screw, pan head M4×8	SWCH	3
P-22	Screw, hex socket set M3×3	SCM435	4
P-25	Screw, hex socket set M4×4	SCM435	11

Comes Complete only



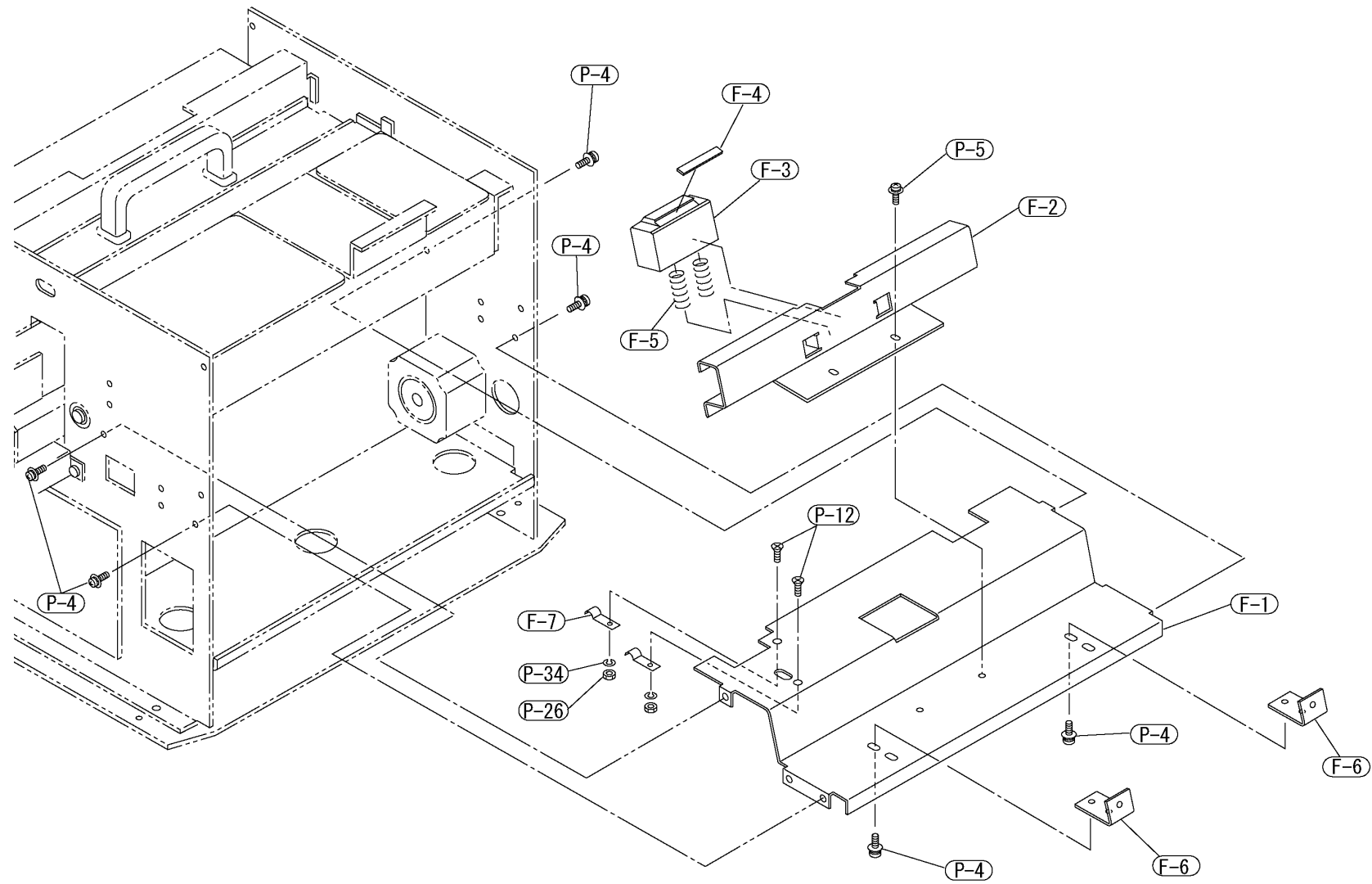
【E Slitter unit】

【F First feeder plate】

No.	Parts Name	Material	Q' ty
F-1	First feeder plate	SECC t=1.6	1
F-2	First feeder cover	SECC t=1.0	1
F-3	First pad base	POM	1
F-4	Separate pad		1
F-5	Spring	SUS304WPP	2
F-6	Tray bracket	SECC t=1.6	2
F-7	Push-up spring	SUS304 t=0.1	2
P-12	Screw, flat head M2×5	SWCH	2
P-4	Screw, B-SEMS M3×6	SWCH	10
P-34	Washer, split lock M2	SWRH	2
P-26	Nut, hex M2	SWCH	2
P-5	Screw, B-SEMS M3×8	SWCH	2

F1N for Serial #'s NM

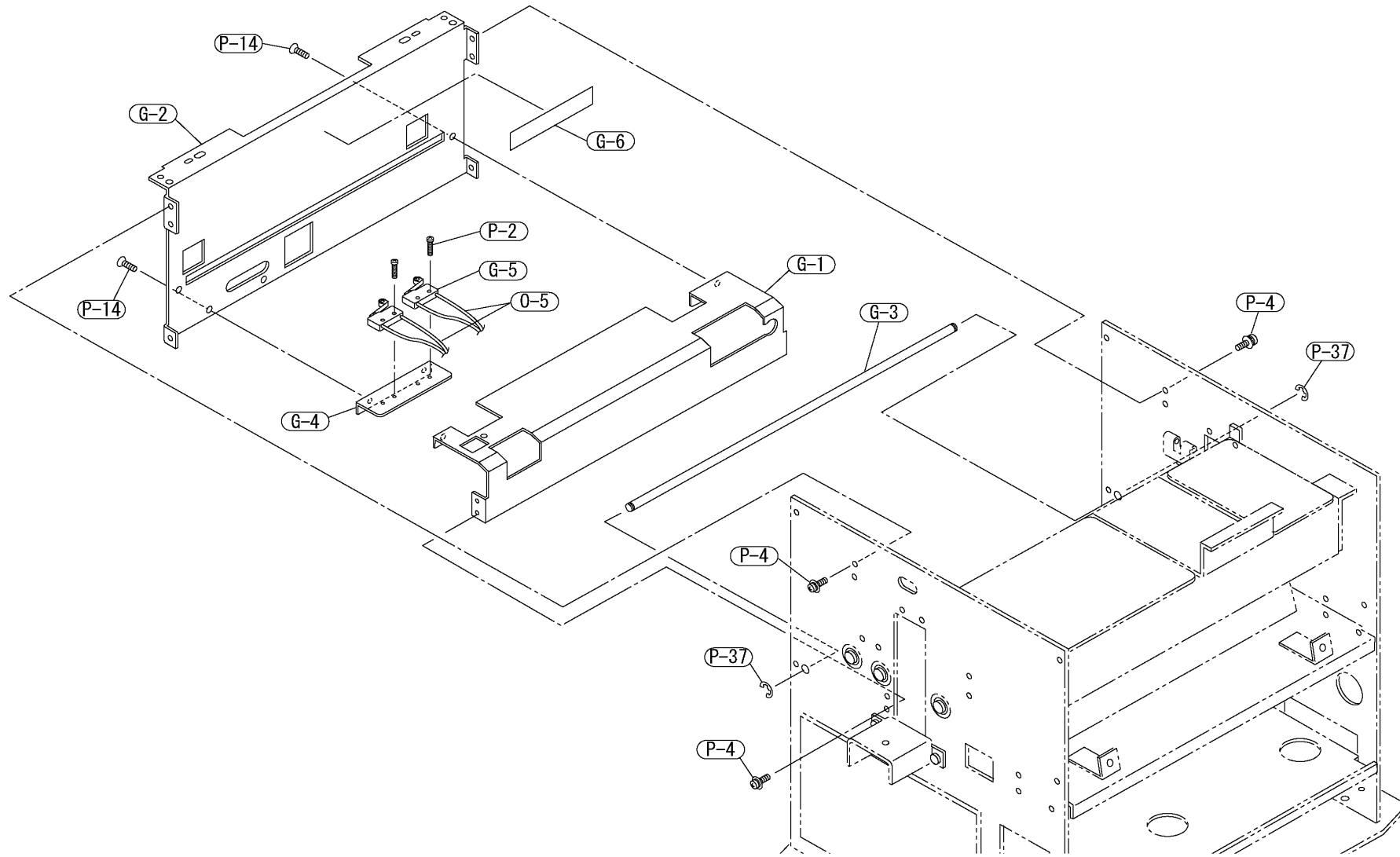
use F3 for Serial #'s M101001-M101040
Use F3N for Serial#'s M101327 UP



【F First feeder plate】

【G Second feeder plate】

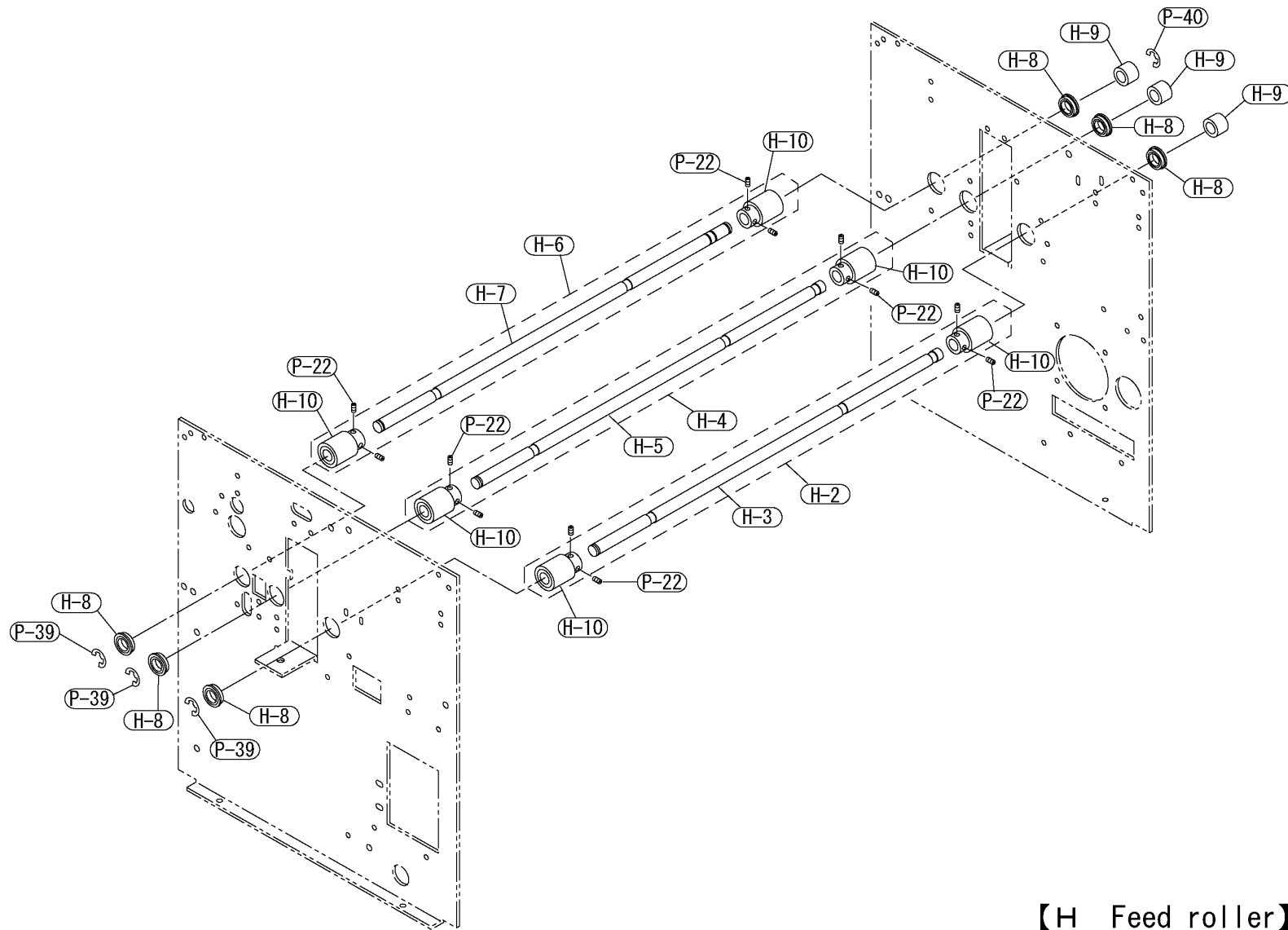
No.	Parts Name	Material	Q'ty	
G-1	Second feeder plate	SECC t=1.0	1	
G-2	Slitter unit bracket	SECC t=1.6	1	
G-3	Slitter unit support shaft	SUS303B	1	
G-4	Slitter sensor bracket	SECC t=1.2	1	
G-5	Slitter sensor MS		2	
O-5	Slitter sensor MS harness		1	
G-6	Caution label		1	
P-14	Screw, flat head M3×6	SWCH	4	
P-4	Screw, B-SEMS M3×6	SWCH	4	
P-37	E-ring, E-4	S60CM	2	



【G Second feeder plate】

【H Feed roller】

No.	Parts Name	Material	Q'ty	
H-2	First feed roller ASSY		1	
H-3	First feed roller shaft	SUS303B-DG	1	
H-4	Second feed roller ASSY		1	
H-5	Second feed roller shaft	SUS303B-DG	1	
H-6	Third feed roller ASSY		1	
H-7	Third feed roller shaft	SUS303B-DG	1	
H-8	Bearing		6	
H-9	Collar	C3604BD	3	
H-10	Feed roller	URETHANE/C3604B	6	
P-22	Screw, hex socket set M3×3	SCM435	12	
P-39	E-ring, E-6	S60CM	2	
P-40	E-ring, E-7	S60CM	2	



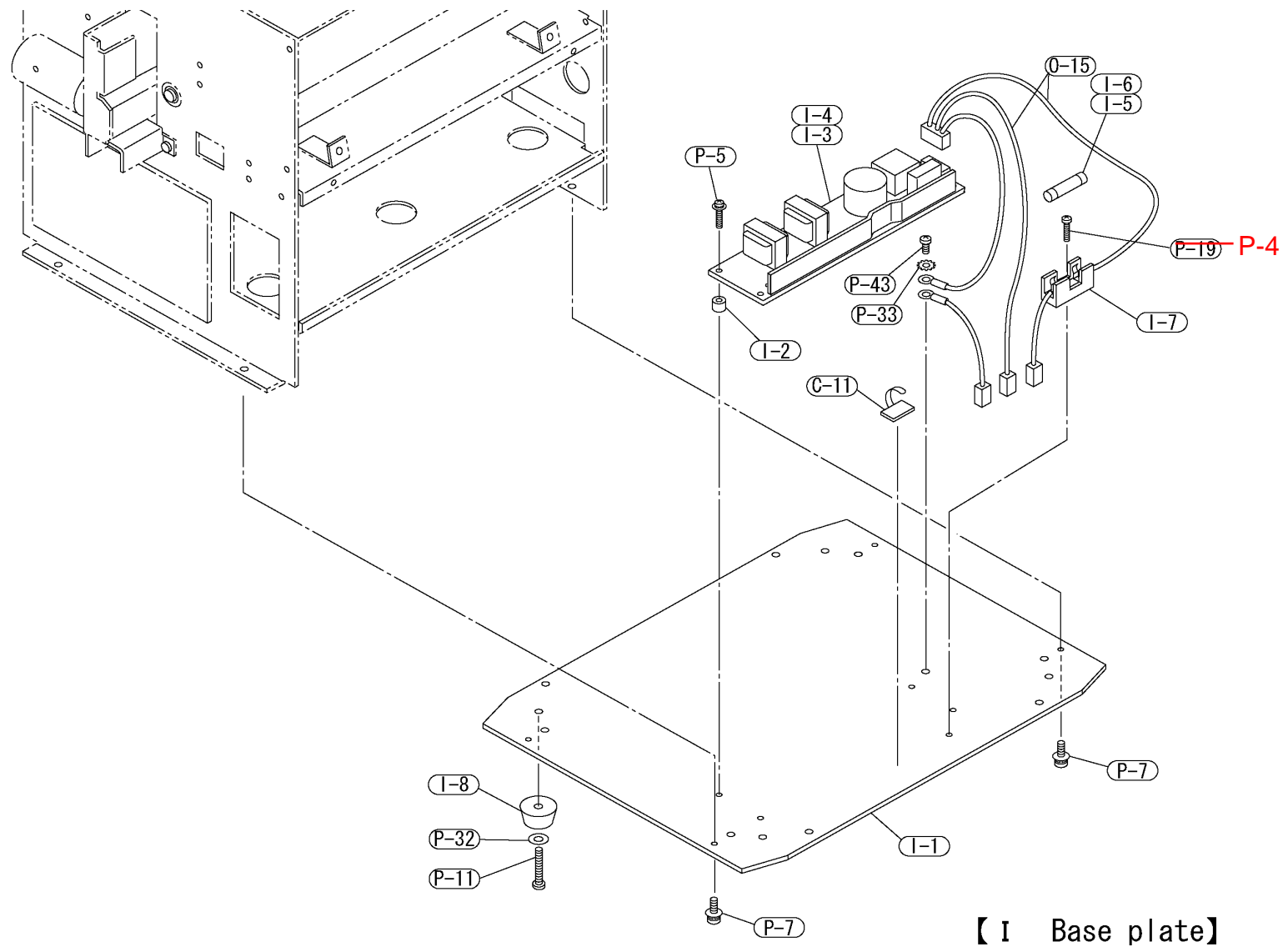
【H Feed roller】

【I Base plate】

No.	Parts Name	Material	Q'ty
I-1	Base plate	SECC t=2.3	1
I-2	Spacer, fix for power supply	SUM22	4
I-3	Power supply(AC100V)		1
I-4	Power supply(AC240V)		1
O-15	AC harness(Power switch to Power supply)		1
I-5	Fuse(125V)		1
I-6	Fuse(250V)		1
I-7	Fuse holder		1
I-8	Foot		4
I-9	Cable tie		2
I-10	Fuse label(125V)		1
I-11	Fuse label(250V)		1
I-12	Earth label		1
I-13	Warning label		1
C-11	Sticker with sponge		1
P-11	Screw, pan head M4×14	SWCH	4
P-4	Screw, B-SEMS M3×6	SWCH	7
P-19	Screw, binding M3×6	SWCH	1
P-7	Screw, B-SEMS M4×6	SWCH	4
P-5	Screw, B-SEMS M3×8	SWCH	4
P-43	Screw, binding M4×6	SWCH	1
P-33	Washer, external toothed lock M4	SS400	1
P-32	Washer, flat M4	SS400	4

I2 comes w/I1

use P4



【 I Base plate】

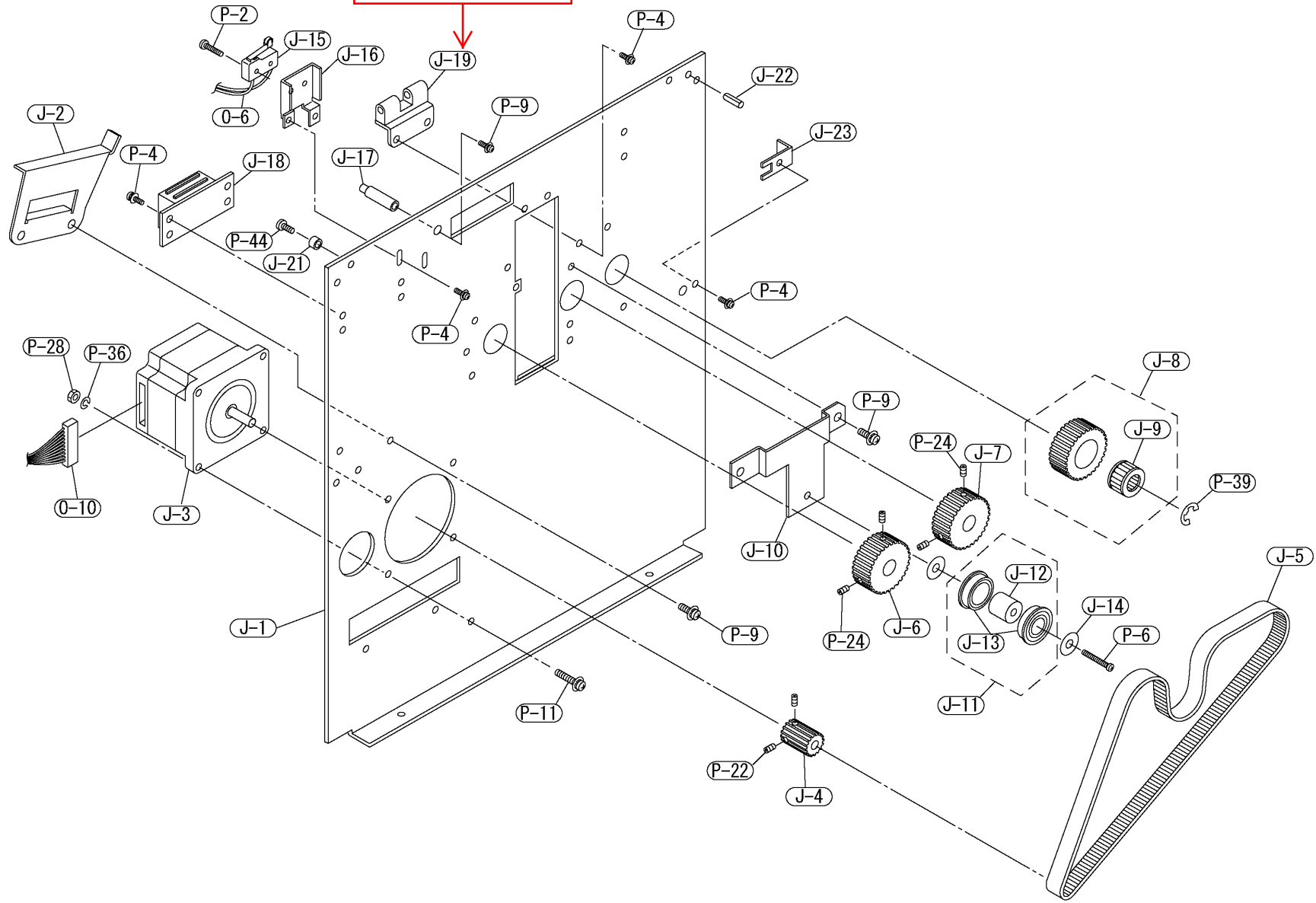
【J Side plate(R)】

No.	Parts Name	Material	Q'ty
J-1	Side plate(R)	SECC t=2.0	1
J-2	Bracket, paper feeder tray(R)	SECC t=1.6	1
J-3	Stepping motor		1
O-10	Stepping motor harness		1
J-4	Stepping motor shaft pulley		1
J-5	Timing belt		1
J-6	Timing pulley1		1
J-7	Timing pulley2		1
J-8	Timing pulley3 ASSY		1
J-9	One-way clutch		1
J-10	Aidoler bracket	SECC t=2.0	1
J-11	Aidoler ASSY		1
J-12	Aidoler collar	C3604BD	1
J-13	Bearing		2
J-14	Washer, 3×12	SS400	
J-15	Upper cover inter-lock MS		1
O-6	Upper cover inter-lock MS harness		1
J-16	Upper cover inter-lock cover		1
J-17	Paper feeder unit hinge pin	SUS	1
J-18	Magnet catch		1
J-19	Ball catch		1
J-20	Spiral tube		
J-21	PE tube		1
J-22	Spring pin	SWO	1
J-23	Rear panel holder	SECC t=1.6	1
P-9	Screw, B-SEMS M4×8	SWCH	4
P-2	Screw, pan head M2×10	SWCH	2
P-6	Screw, pan head M3×20	SWCH	1
P-11	Screw, pan head M4×14	SWCH	4
P-4	Screw, B-SEMS M3×6	SWCH	8
P-22	Screw, hex socket set M3×3	SCM435	2
P-24	Screw, hex socket set M3×5	SCM435	4
P-44	Screw, binding M4×8	SWCH	1
P-28	Nut, hex M4	SWCH	4
P-36	Washer, split lock M4	SWCH	4
P-39	E-ring, E-6	S60CM	1

O6 comes w/J15



Comes w/D12



【 J Side plate(R) 】

【K Side plate(L)】

No.		Material	Q'ty
K-1	Side plate(L)	SECC t=2	1
K-2	Bracket paper feeder(L)	SECC t=1.6	1
K-3	S1 sensor ASSY		1
K-4	S1 sensor bracket	SPCC t=2.3	1
K-5	S1 sensor PCB		1
O-7	S1 sensor harness		1
K-6	Main PCB		1
K-7	Spacer, fix for main PCB	SUM22	4
K-8	Bracket, cutter unit	SECC t=1.6	1
K-9	S3 sensor ASSY		1
K-10	S3 sensor bracket	SECC t=1.6	1
K-11	S3 sensor		1
O-2	S3 sensor harness		1
K-12	Trash-box inter-lock MS ASSY		1
K-13	Trash-box inter-lock MS		1
O-4	Trash-box inter-lock MS harness		1
K-14	Trash-box inter-lock MS brack	SECC t=1.2	1
K-15	Magnet catch		1
K-16	PE tube		1
K-17	Paper feeder unit hinge pin	SUS	1
K-18	Paper feeder unit stopper pin	SUS	1
K-19	Spring pin	SWO	1
K-20	Rear panel holder	SECC t=1.6	1
K-21	Ball catch		1
C-11	Sticker with sponge		6
I-9	Cable tie		9
P-1	Screw, pan head M2×5	SWCH	2
P-2	Screw, pan head M2×10	SWCH	2
P-26	Nut, hex M2	SWCH	2
P-4	Screw, B-SEMS M3×6	SWCH	15
P-7	Screw, B-SEMS M4×6	SWCH	2
P-9	Screw, B-SEMS M4×8	SWCH	6
P-18	Screw, binding M3×6	SWCH	2
P-44	Screw, binding M4×8	SWCH	1

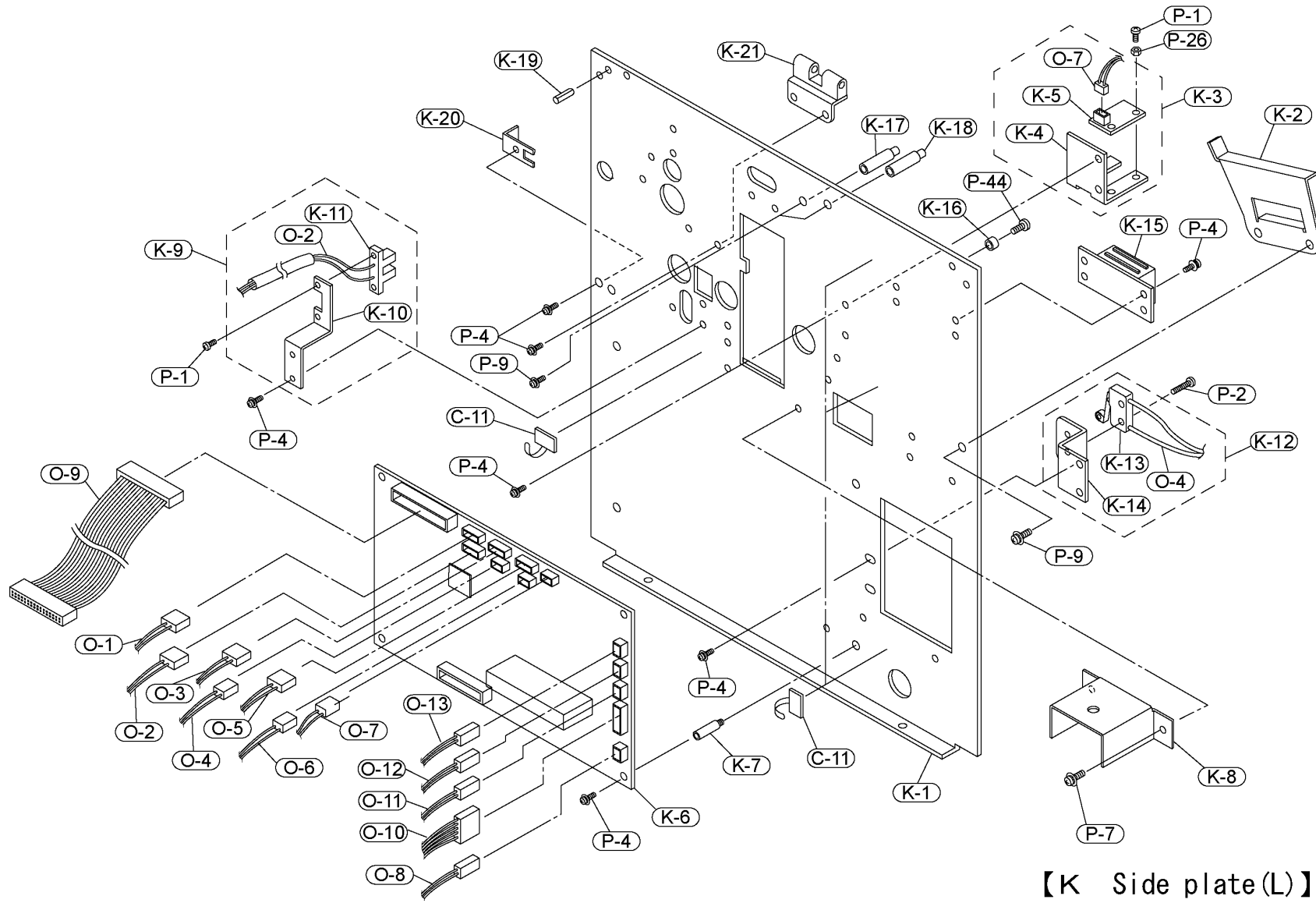
K4, K5, O7 comes w/K3

use K3 complete once these run out

K7 comes w/K6

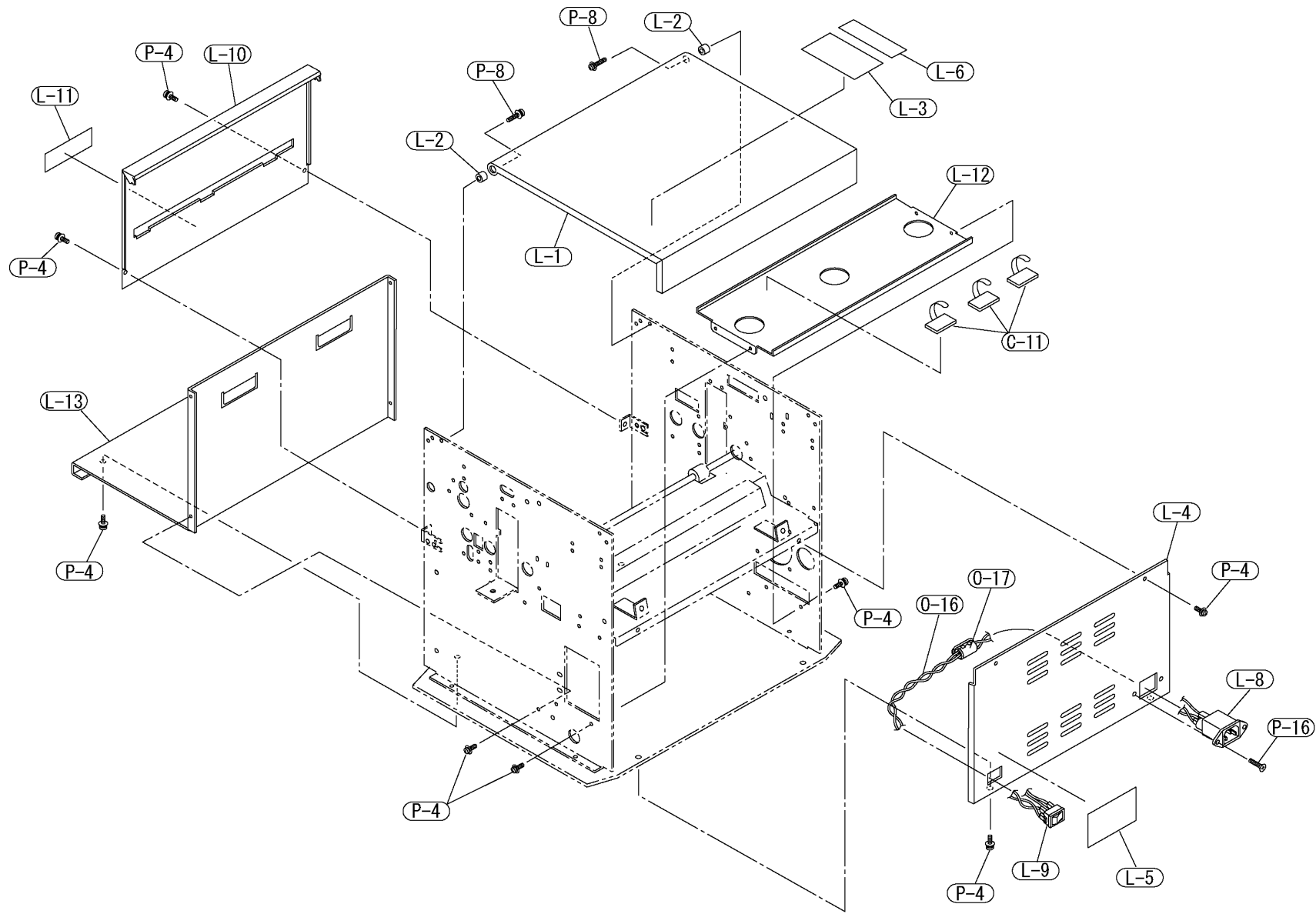
K10, K11, & O2 comes w/K9

K13, O4, & K14 comes w/K12



【L Upper cover, Front panel, Rear panel】

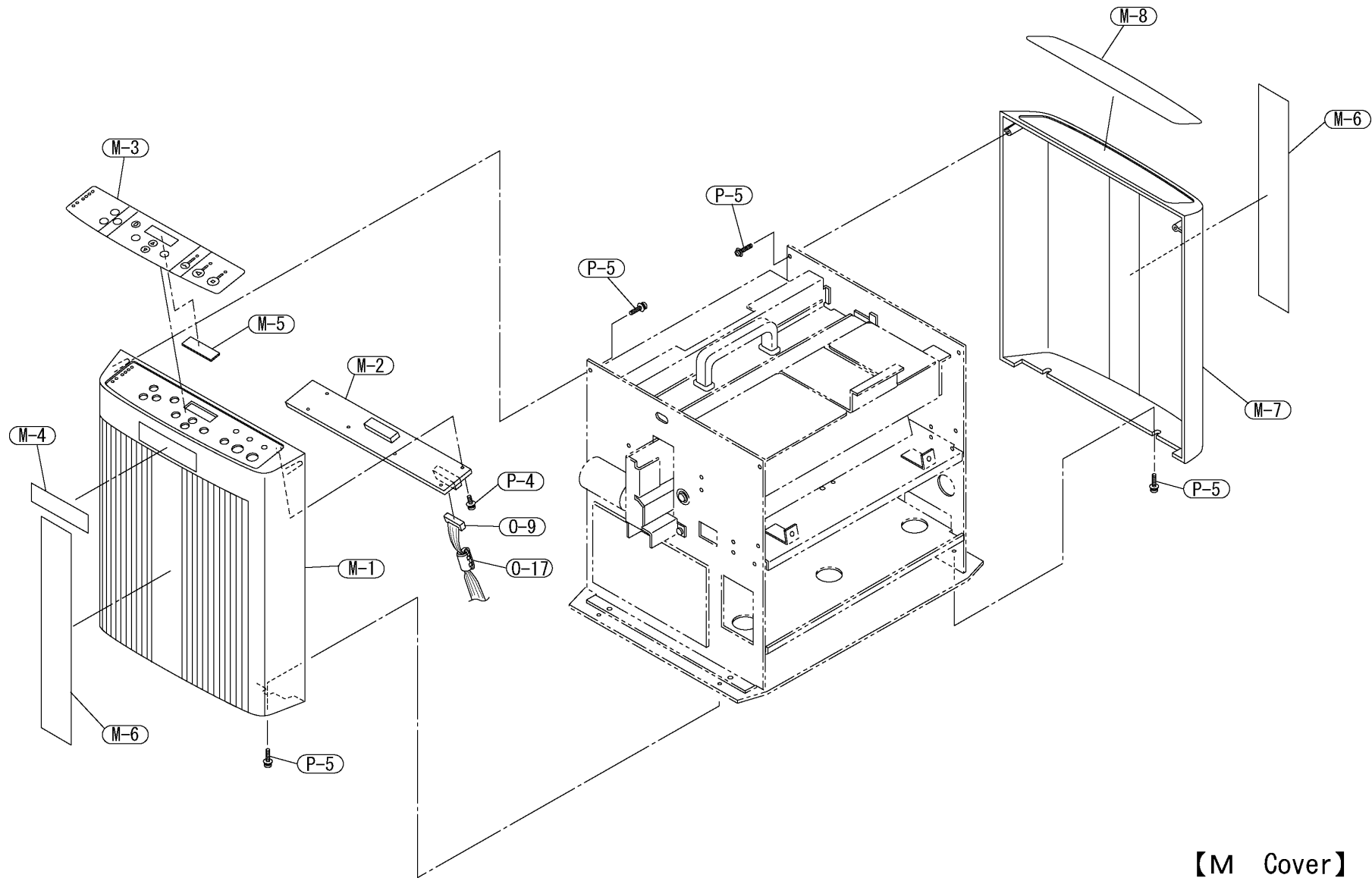
No.	Parts Name	Material	Q' ty
L-1	Upper cover	SECC t=0.8	1
L-2	Upper cover hinge collar		2
L-3	Caution label		1
L-4	Front panel	SECC t=1.0	1
L-5	Serial tag		1
L-6	Caution label		1
L-7	Warning label		1
L-8	Power inlet		1
O-16	AC harness(Power inlet to Power switch)		1
L-9	Power switch		1
O-15	AC harness(Power switch to Power supply)		1
L-10	Rear panel	SECC t=1.0	1
L-11	Warning label		1
L-12	Dust plate	SECC t=0.8	1
L-13	Partition	SECC t=1.0	1
P-8	Screw, pan head M4×8	SWCH	2
P-4	Screw, B-SEMS M3×6	SWCH	16
P-16	Screw, flat head M3×8	SWCH	2
C-11	Sticker with sponge		3



【L Upper cover, Front panel, Rear panel】

【M cover】

No.	Parts Name	Material	Q' ty	
M-1	Front cover	ABS	1	
M-2	Operation PCB		1	
O-9	Operation panel harness		1	
M-3	Operation panel		1	
M-4	Name plate		1	
M-5	Segment window	PVC t=1.0	1	
M-6	Decoration plate		2	
M-7	Rear cover	ABS	1	
M-8	Rear panel		1	
P-4	Screw, B-SEMS M3×6	SWCH	6	
P-5	Screw, B-SEMS M3×8	SWCH	8	

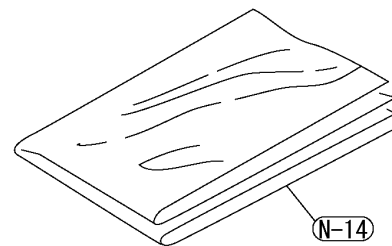
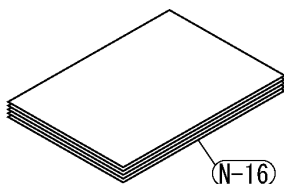
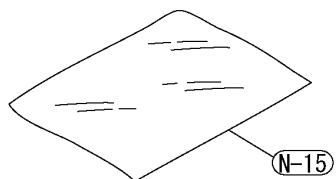
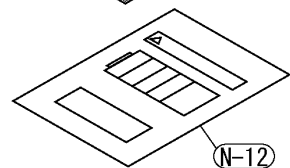
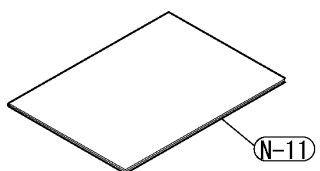
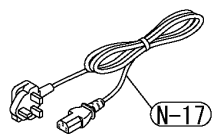
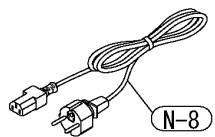
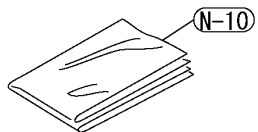
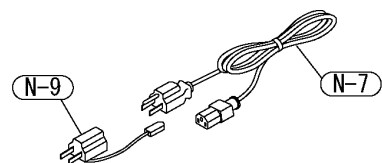
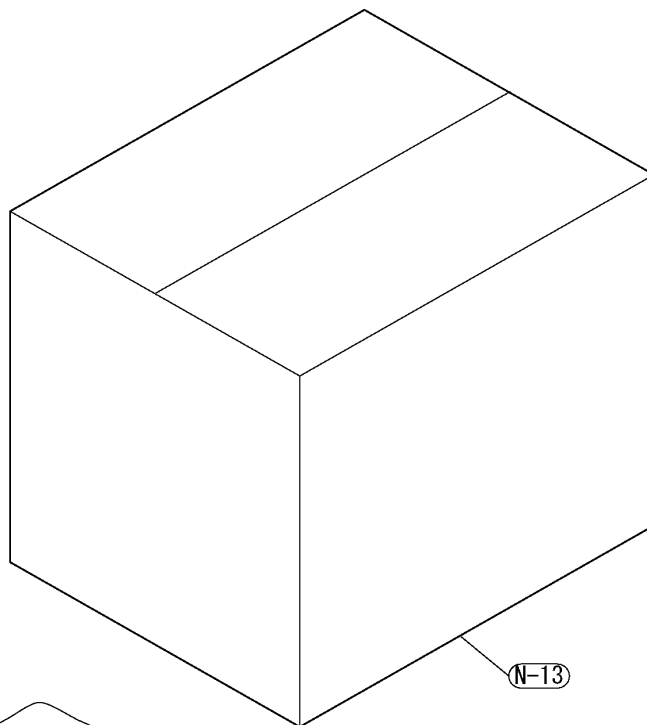
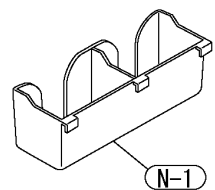
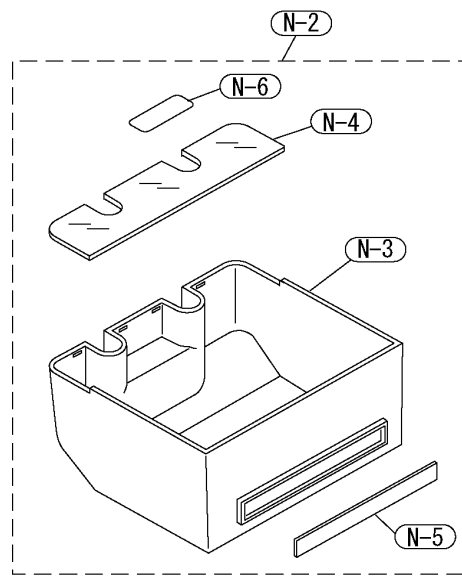


【M Cover】

【N Stacker box, Trash box】

No.	Parts Name	Material	Q' ty
N-1	Stacker box		1
N-2	Trash box ASSY		1
N-3	Trash box		1
N-4	Cover		1
N-5	Magnet sheet		1
N-6	Warning label		1
N-7	Power code (AC125V)		1
N-8	Power code (AC250V) EU	KP-4819D GTCE-3 1.0/2m KS-31A	1
N-17	Power code (AC250V) UK	KP-624 GTCE-3 1.0/2m KS-31A	1
N-9	Plug adapter		
N-10	PE bag (power code)	PE t=0.05 200×500mm	1
N-11	Operation manual		1
N-12	Recovery procedures		1
N-13	Carton		1
N-14	PE bag (machine)	PE t=0.05 800×700mm	1
N-15	PE bag (papers)	PE t=0.05 250×340mm	1
N-16	Sample papers (A4)	BC-R560-A4PF	5
	Sample papers (LTR)		5

N3 & N4 comes w/N2



【N Stacker box, Trash box】

【0 Harness】

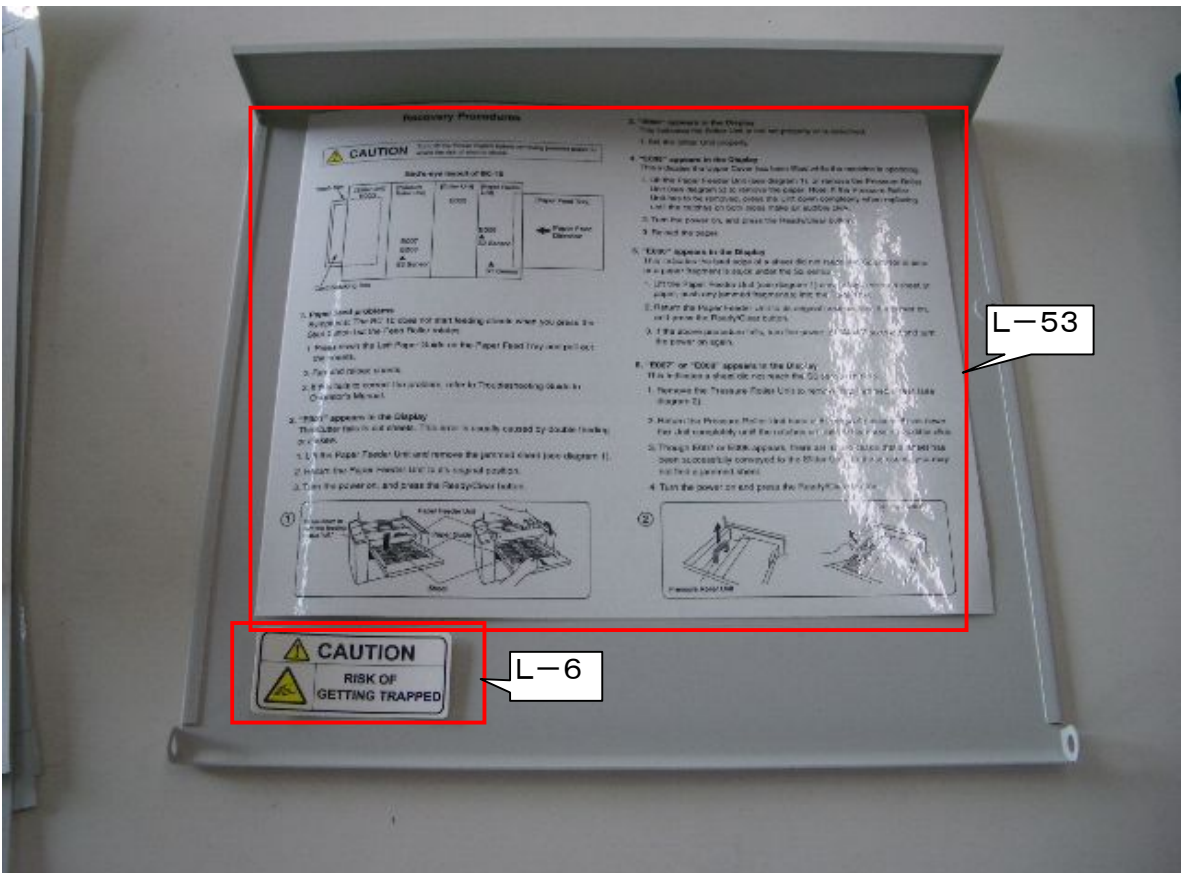
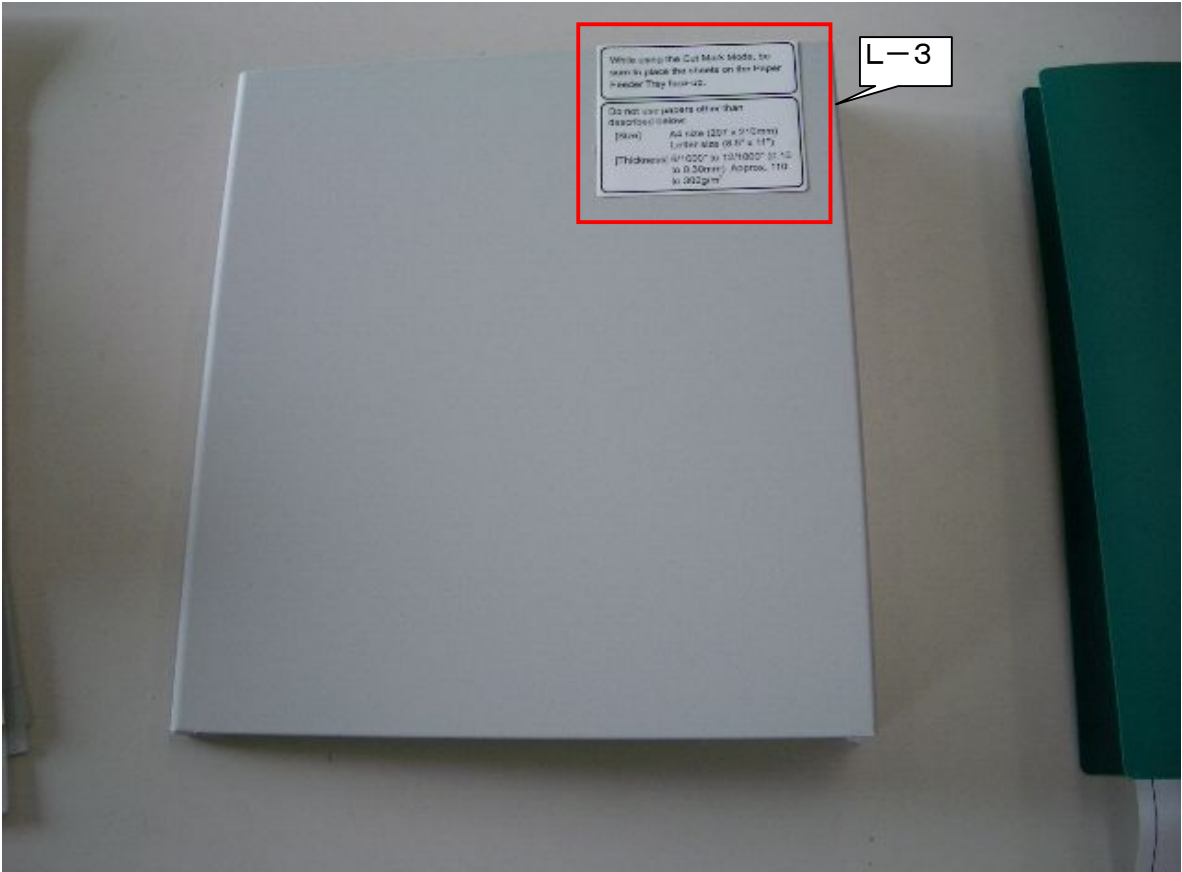
No.	Parts Name	Material	Q'ty	
O-1	S2 sensor harness		1	
O-2	S3 sensor harness		1	
O-3	Cutter sensor harness		1	
O-4	Trash box inter-lock MS harness		1	
O-5	Slitter sensor MS harness		1	
O-6	Upper cover inter-lock MS harness		1	
O-7	S1 sensor harness		1	
O-8	Power supply harness		1	
O-9	Operation panel harness		1	
O-10	Stepping motor harness		1	
O-11	Pick-up motor harness		1	
O-12	Cutter motor harness		1	
O-13	Slitter motor harness		1	
O-14	Slitter motor extention harness		1	
O-15	AC harness(Power switch to Power supply)		1	
O-16	AC harness(Power inlet to Power switch)		1	
O-17	Ferrite core		3	

use C6

use B12

【P Screw, Nut, Washer】

No.	Parts Name	Material	Q'ty	
P-1	Screw, pan head M2×5	SWCH		
P-2	Screw, pan head M2×10	SWCH		
P-4	Screw, B-SEMS M3×6	SWCH		
P-5	Screw, B-SEMS M3×8	SWCH		
P-6	Screw, pan head M3×20	SWCH		
P-7	Screw, B-SEMS M4×6	SWCH		
P-8	Screw, pan head M4×8	SWCH		
P-9	Screw, B-SEMS M4×8	SWCH		
P-10	Screw, pan head M4×11	SWCH		
P-11	Screw, pan head M4×14	SWCH		
P-12	Screw, flat head M2×5	SWCH		
P-13	Screw, flat head M3×5	SWCH		
P-14	Screw, flat head M3×6	SWCH		
P-16	Screw, flat head M3×8	SWCH		
P-17	Screw, hex socket cap M4×10	SCM435		
P-18	Screw, binding M3×4	SWCH		
P-19	Screw, binding M3×6	SWCH		
P-21	Screw, binding M3×20	SWCH		
P-22	Screw, hex socket set M3×3	SCM435		
P-23	Screw, hex socket set M3×4	SCM435		
P-24	Screw, hex socket set M3×5	SCM435		
P-25	Screw, hex socket set M4×4	SCM435		
P-26	Nut, hex M2	SWCH		
P-27	Nut, hex M3	SWCH		
P-28	Nut, hex M4	SWCH		
P-29	Nut, hex M5	SWCH		
P-30	Washer, flat M3	SS400		
P-31	Washer, flat M3(small)	SS400		
P-32	Washer, flat M4	SS400		
P-33	Washer, external toothed lock	SS400		
P-34	Washer, split lock M2	SWRH		
P-35	Washer, split lock M3	SWRH		
P-36	Washer, split lock M4	SWRH		
P-37	E-ring, E-4	S60CM		
P-38	E-ring, E-5	S60CM		
P-39	E-ring, E-6	S60CM		
P-40	E-ring, E-7	S60CM		
P-41	E-ring, E-8	S60CM		
P-42	C-ring, C-18	S60CM		
P-43	Screw, binding M4×6	SWCH		
P-44	Screw, binding M4×8	SWCH		



B22 Screws



B54N Stopper
Plate

