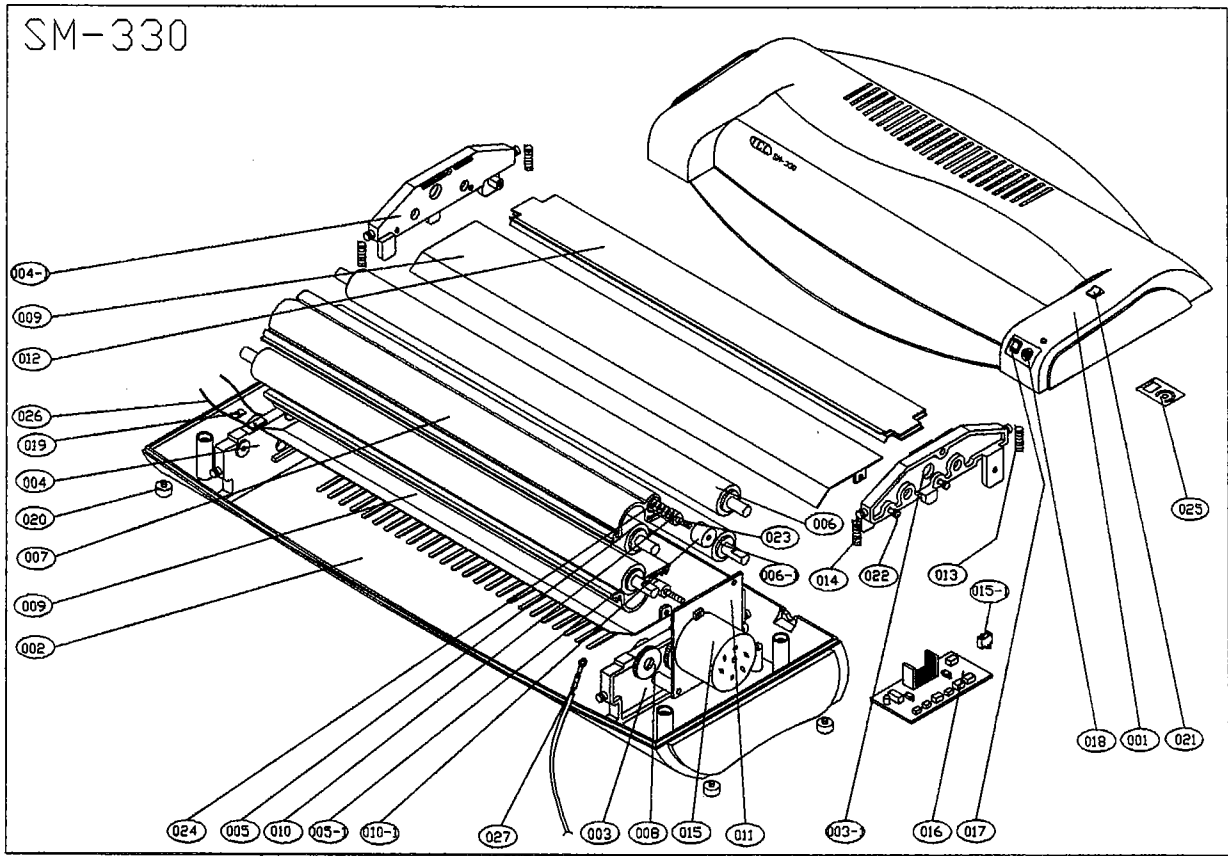


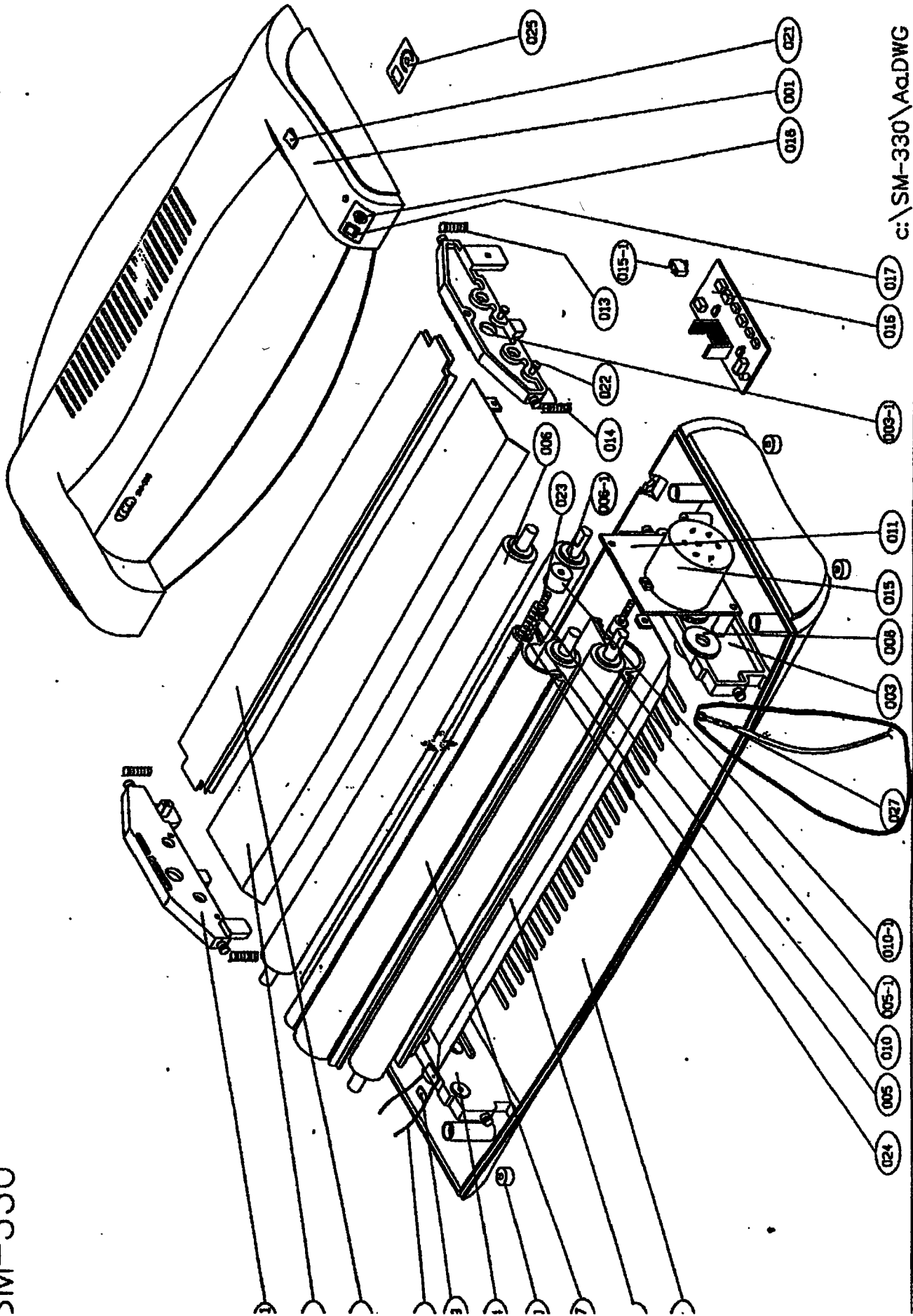
SM-330 LAMINATOR PART MANUAL

DRAWING NO	PART NO	DESCRIPTION	DRAWING NO	PART NO	DESCRIPTION
001	S3-A1	TOP COVER	017	S3-D19	POWER S.W
002	S3-A2	BASE	018	S3-D20	KNOB
003	S3-D3	RACKET (LOWER-R)	019	3LM-D26	SPRING PAD
003-1	S3-D5	RACKET (UPPER-R)	020	S3-D22	FOOT PAD
004	S3-D4	RACKET (LOWER-L)	021	S3-D23	REVERSE S.W
004-1	S3-D6	RACKET (UPPER-L)	022	S3-D24	SET PIN
005	S3-D1-1	UPPER-ROLLER (FRONT)	023	3H1-P8-1	FIXED SCREW
005-1	S3-D1-2	LOWER-ROLLER (FRONT)	024	3H1-P8-2	HEATER
006	S3-D1-3	UPPER-ROLLER (REAR)	025	S3-P5	AL PLATE
006-1	S3-D1-4	LOWER-ROLLER (REAR)	026	S3-D25	SENSOR WIRE
007	S3-D7	HEAT-PLATE	027	S3-D26	CUT-OFF FUSE
008	S3-D8	GEAR			
009	S3-D10	HEAT RESIST PLATE			
010	S3-D13	QUARTZ TUBE			
010-1	S3-D13-1	QUARTZ TUBE CAP			
011	S3-D15	MOTOR RACKET			
012	S3-D16	REAR PLATE			
013	S3-D17	SPRING			
014	S3-D18-1	SPRING			
015	S3-P1	AC MOTOR			
015-1	S3-P1-1	CONDENSER			
016	S3-P2	PCB			

SM-330



SM-330



c:\SM-330\Aa.DWG