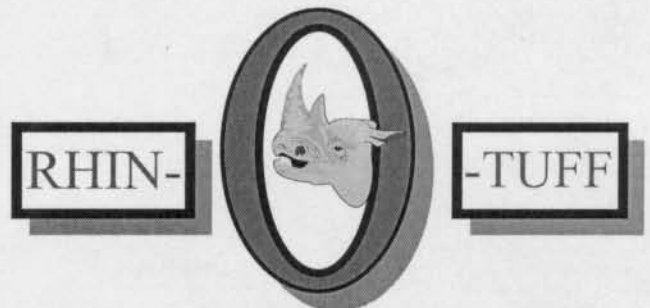
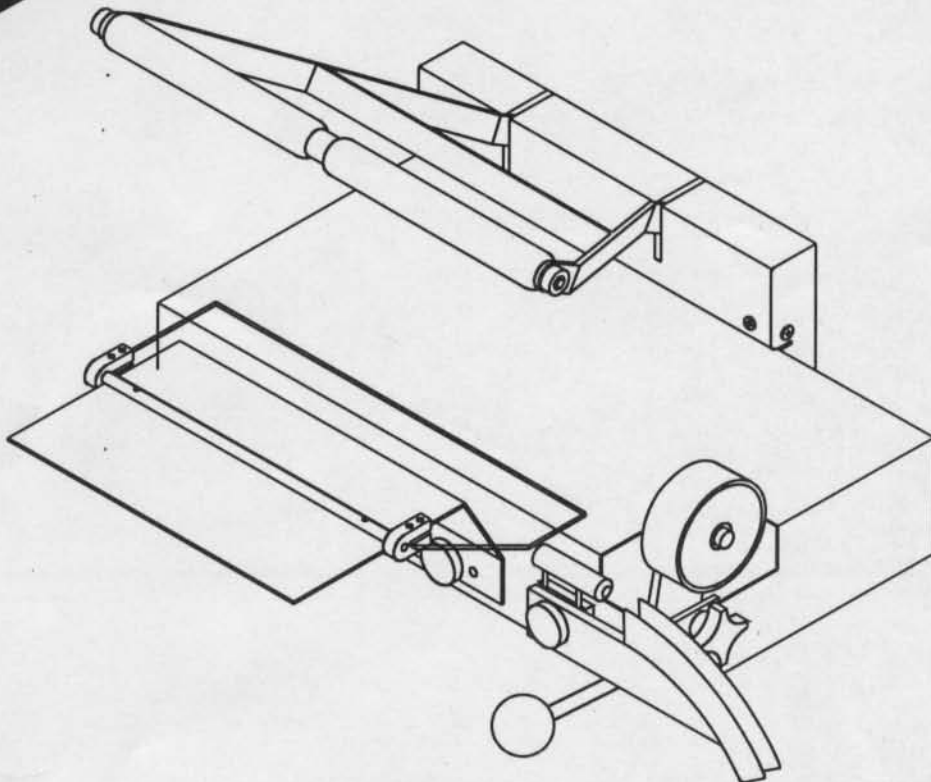


**PDI** Performance Design Inc.

# PC-2000 PARTS BOOK

- Punch & Coiler -



Mailing Address: 2350 E. Braniff, Boise, Idaho 83716-9613

Telephone: 208-384-8551

Fax: 208-384-8583

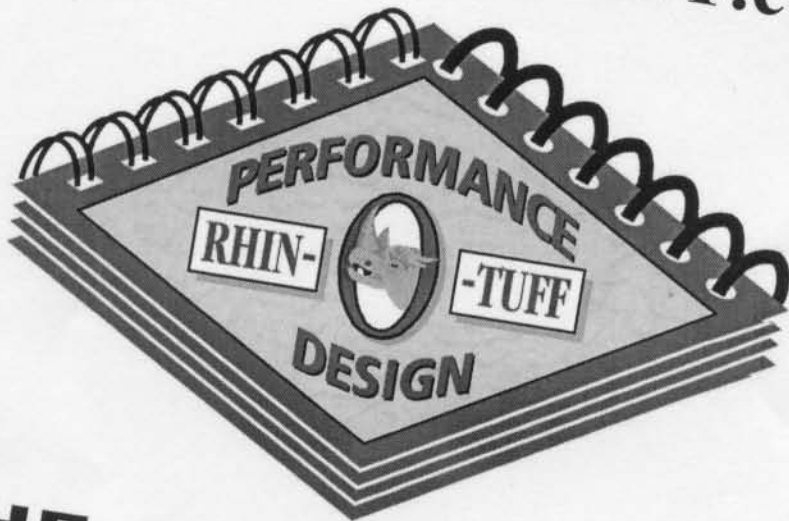
Electronic Mail: [PDI@PDIBIND.com](mailto:PDI@PDIBIND.com)

Web Site: [www.RHIN-O-TUFF.com](http://www.RHIN-O-TUFF.com)

---

**NEW!!!**  
**Online Machine Product  
Registration And Technical  
Support**

Visit us at  
**[www.RHIN-O-TUFF.com](http://www.RHIN-O-TUFF.com)**



**THE ULTIMATE IN:**  
Quality Paper Punching & Book Binding  
Equipment at Affordable Prices

---

# PC-2000 PARTS BOOK

Page 1

- Table Of Contents -

Table Of Contents	1
Trouble Shooting	2
Operating Instructions	3 & 4
Die Assembly	5 & 6
Motor Assembly	7
Electrical, Components	8
Dia, Mounting	9 & 10
Table & Coil Guide	11 & 12
Wiring Diagram	13

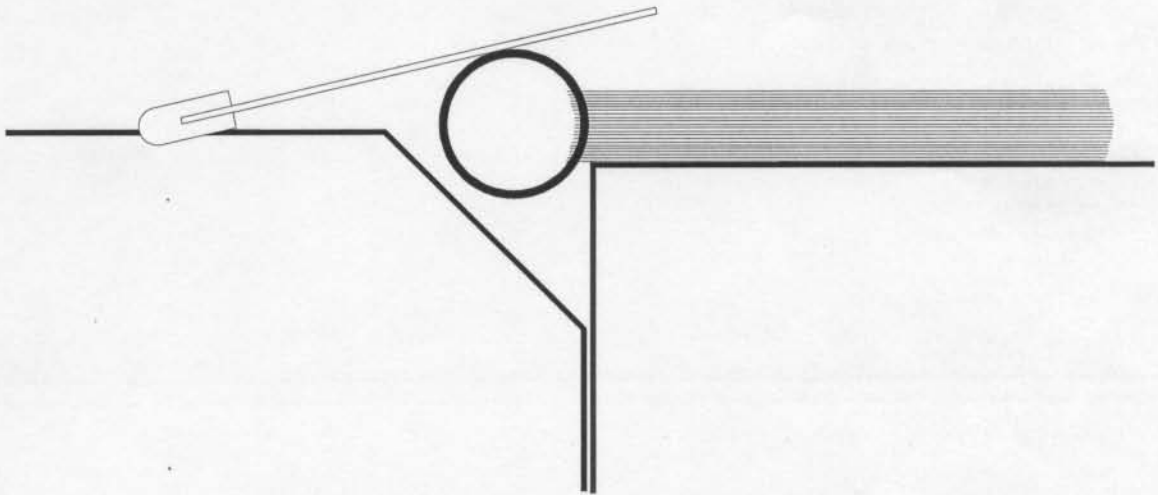
1. Make sure Mandrel is proper size. Too much play around the Mandrel or not enough may be a problem.
2. Make sure the Mandrel is at the proper height. Mandrel should be parallel with the machine surface and centered on book.
3. Make sure the proper size coil is being used for the number of sheets being bound. Too few sheets without any covers will create a problem. Too many sheets, with coil being too small, will not insert.
4. Over sized covers make starting and inserting coil very difficult.
5. When coiling thicker books using front table, make sure the table is at proper height. If table is too high, this will create a problem.
6. If you tie a knot in your coil, do not attempt to untie. This is a waste of time. Cut the coil and start over. Driving too hard with the drive wheel is not necessary. **Drive wheel must make contact gently.** You may even want to pump handle first to get the coil started, then apply even pressure.
7. Do not hold your hand on printed material while trying to spin the coil through the book. Allow the coil to the proper contour and pitch. The coil will move sheets and holes into proper position.
8. If problems persist, try holding your fingers gently on the lead edge of the coil as it is spinning through the book.
9. If you are still experiencing difficulties, please contact us at  
208-384-8551.

# PC-2000 PARTS BOOK

Page 3

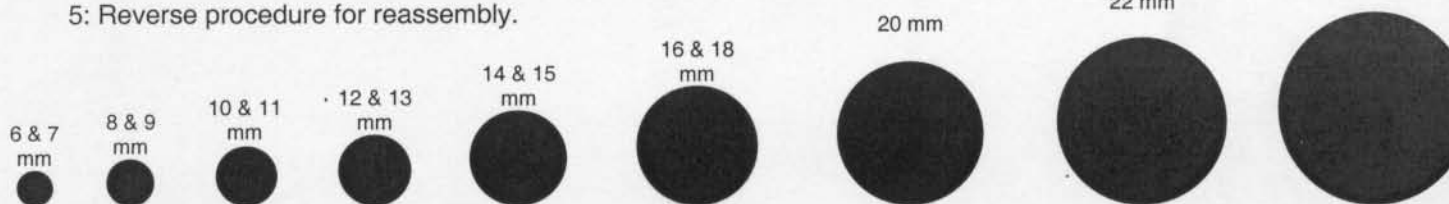
## - Operating Instructions -

- 1: Choose Proper Mandrel for Coil Being used. There are 9 different sizes of Mandrels. Choose a Mandrel size 1/16 inch smaller than inside of coil. Mandrel height adjustment should be approximately on centerline of book laying on surface. Mandrel should be installed with long end towards the Coil Guide.
- 2: Slide Coil over long end of Mandrel, while Coil lays in Coil Guide. Spin Coil by hand or by engaging Ruber Drive Wheel to the end of Mandrel.
- 3: Place Printed Material on Machine Surface, jogging sheets so all Punched Holes line up. Insert Leading Edge of Coil into first two Holes in Book.
- 4: Lay Lexan Guide on top of Coil and adjust the Table Height so that the Lexan Guide is at an incline, with the back end slightly higher than the front (see illustration below ). The Table **MUST BE LEVEL** from side to side in order for the Lexan Guide to work properly.
- 5: **GENTLY** engage Drive Wheel against the Coil to spin Coil thru the Book.
- 6: Use Cutter Crimper Pliers, with red dot in up position, to cut and crimp Coil. First cut the end closest to the Drive Wheel. Then flip book over, from left to right, and crimp.



## REMOVING PUNCH PIN

- 1: Remove top cover by removing two mounting screws and lifting off.
- 2: Remove 4 push pins.
- 3: Raise handle and push bar will come out of die assembly.
- 4: Remove which ever pins are necessary, by lifting straight up.
- 5: Reverse procedure for reassembly.



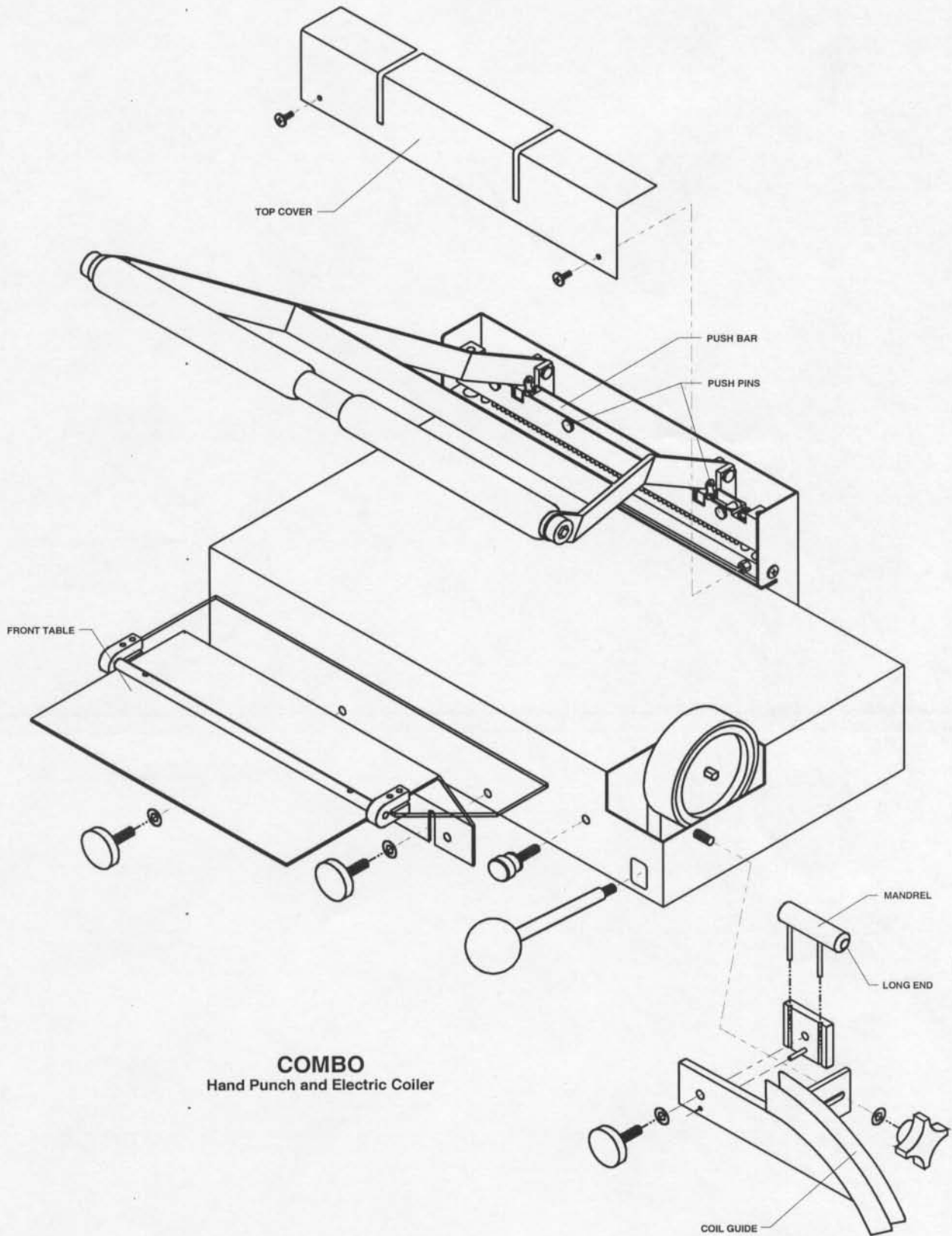
**PDI** Performance Design Inc.

2350 E. Braniff, Boise, Idaho 83716 / 208-384-8551 / PDI@PDIBIND.com / www.RHIN-O-TUFF.com

# PC-2000 PARTS BOOK

Page 4

- Operating Instructions -

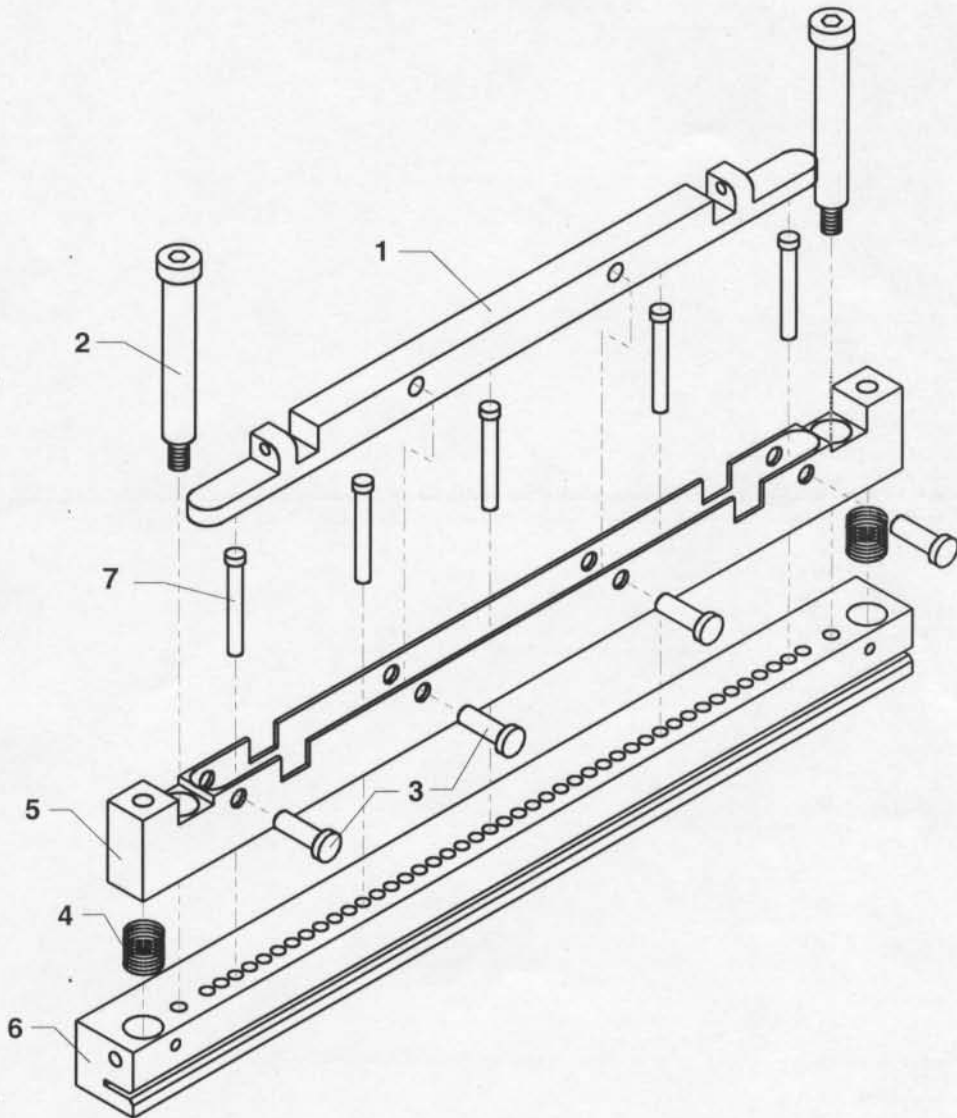
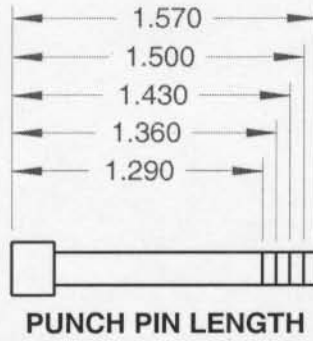


**COMBO**  
Hand Punch and Electric Coiler

# PC-2000 PARTS BOOK

Page 5

- Die Assembly -



# PC-2000 PARTS BOOK

Page 6

- Die Assembly -  
Index

4-1 ROUND PUNCH COMPLETE DIE ASSEMBLY - PART NO. 010750			
INDEX NO.	PART NO.	PART NAME	NO. REQ.
1	020380	TOP CAP	1
2	005260	5/16 X 2 SHOULDER BOLT	2
3	001190	1/4 X 3/4 CLEVIS PIN	4
4	001200	DIE SPRING	2
5	020450	PUNCH RETAINER	1
6	020440	DIE	1
7	BELOW	PUNCH PIN	46

PIN LENGTH	1.290	1.360	1.430	1.500	1.570
NO. REQ.	10	9	9	9	9
PART NO.	051330	051340	051350	051360	051370

5MM ROUND PUNCH COMPLETE DIE ASSEMBLY - PART NO. 010580			
INDEX NO.	PART NO.	PART NAME	NO. REQ.
1	020380	TOP CAP	1
2	005260	5/16 X 2 SHOULDER BOLT	2
3	001190	1/4 X 3/4 CLEVIS PIN	4
4	001200	DIE SPRING	2
5	020370	PUNCH RETAINER	1
6	020390	DIE	1
7	BELOW	PUNCH PIN	59

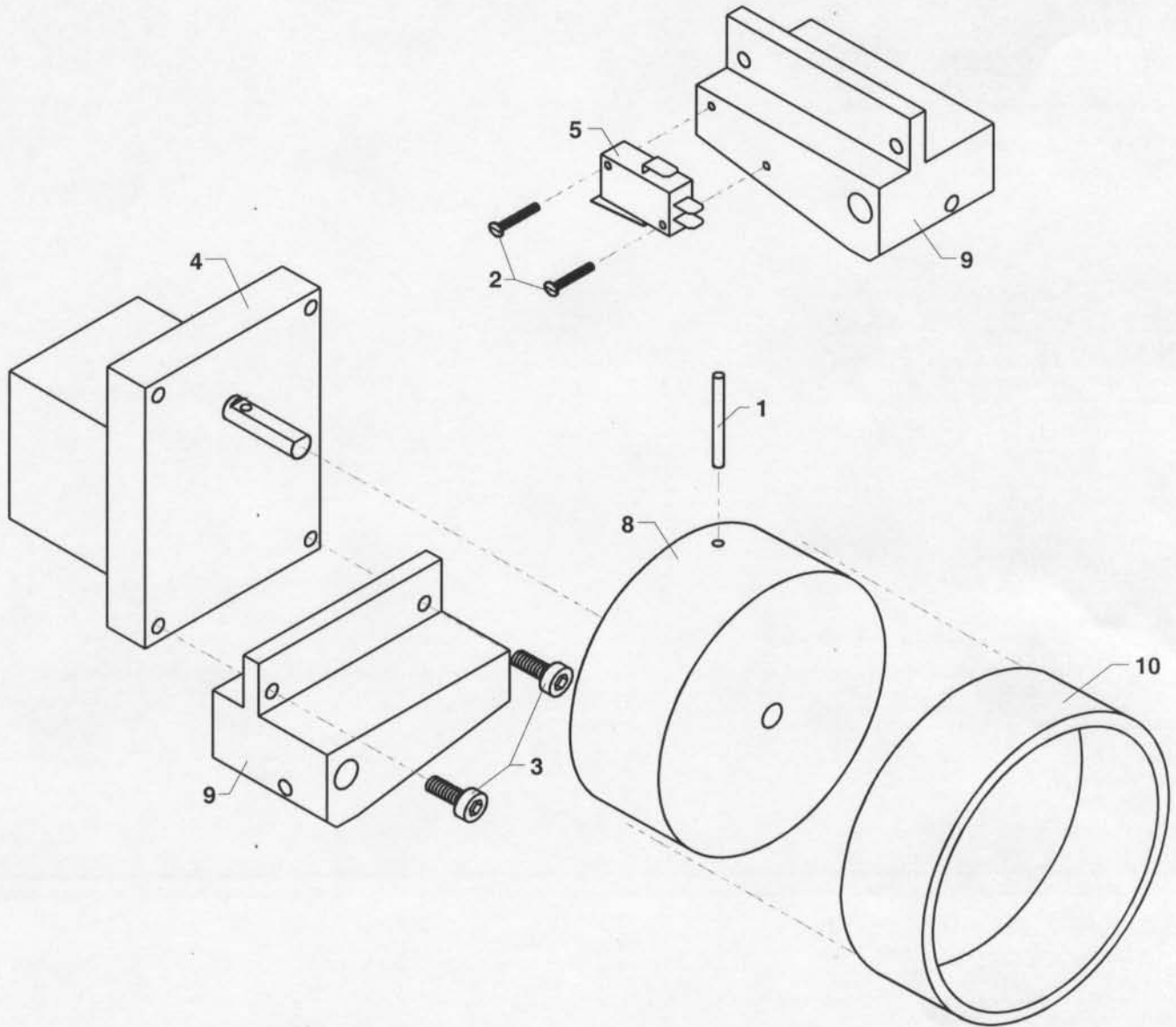
PIN LENGTH	1.250	1.340	1.430	1.520	1.610
NO. REQ.	12	12	12	12	11
PART NO.	051030	051040	051050	051060	051070



# PC-2000 PARTS BOOK

Page 7

- Small Motor Assembly -

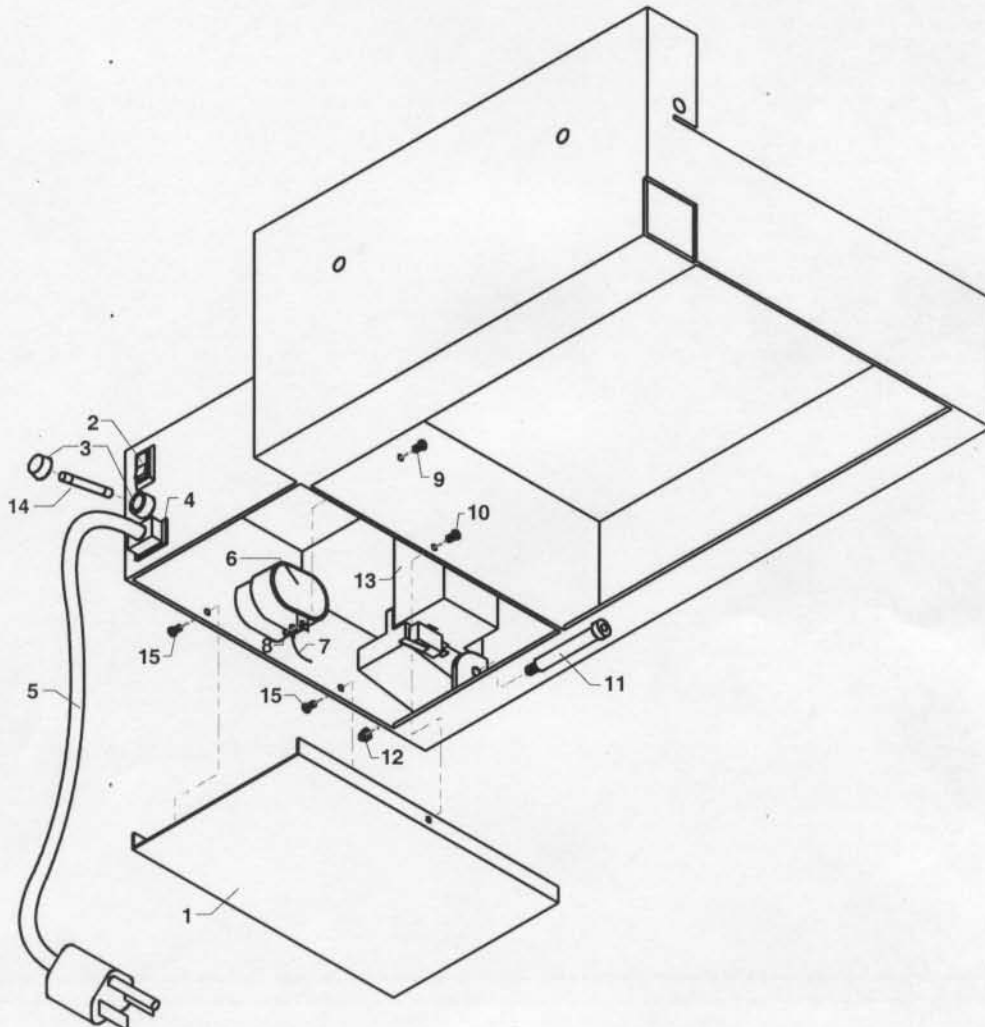


INDEX NO.	PART NO.	PART NAME	NO. REQ.
1	001490	1/8 X 1 ROLL PIN	1
2	002110	4-40 X 1/2 MACHINE SCREW	2
3	005240	8-32 X 3/4 SHCS BOLT	2
4	007170	GEAR MOTOR	1
5	007240	SAFETY SWITCH	1
6	007850	3/16 SPADE TERM TAPE (NOT SHOWN)	1
7	007860	1/4 SPADE TERM TAPE (NOT SHOWN)	2
8	020120	DRIVE COIL INSERTER WHEEL	1
9	020210	MOUNT COMBO/COILER MOTOR	1
10	030450	RUBBER WHEEL	1

# PC-2000 PARTS BOOK

Page 8

- Electrical Components -



INDEX NO.	PART NO.	PART NAME	NO. REQ.
1	020200	BOTTOM PLATE	1
2	007180	SWITCH	1
3	007000	FUSE HOLDER	1
4	007050	POWER INLET	1
5	007090	POWER CORD	1
6	007310	CAPACITOR & BRACKET	1
7	SEE PAGE 10	GROUND WIRE (GREEN)	1
8	004050	4-40 NYLOC NUT	1
9	002110	4-40 X 1/2 MACHINE SCREW	1
10	002060	10-32 X 1/2 SCREW	1
11	005250	3/8 X 2 SHOULDER BOLT	1
12	004080	5/16 ACORN NUT	1
13	SEE PAGE 4	MOTOR ASSEMBLY	1
14	007160	FUSE AGC 5 AMP	1
15	002090	10-32 X 3/16 PPHS	2

020320 SHIPPING KIT

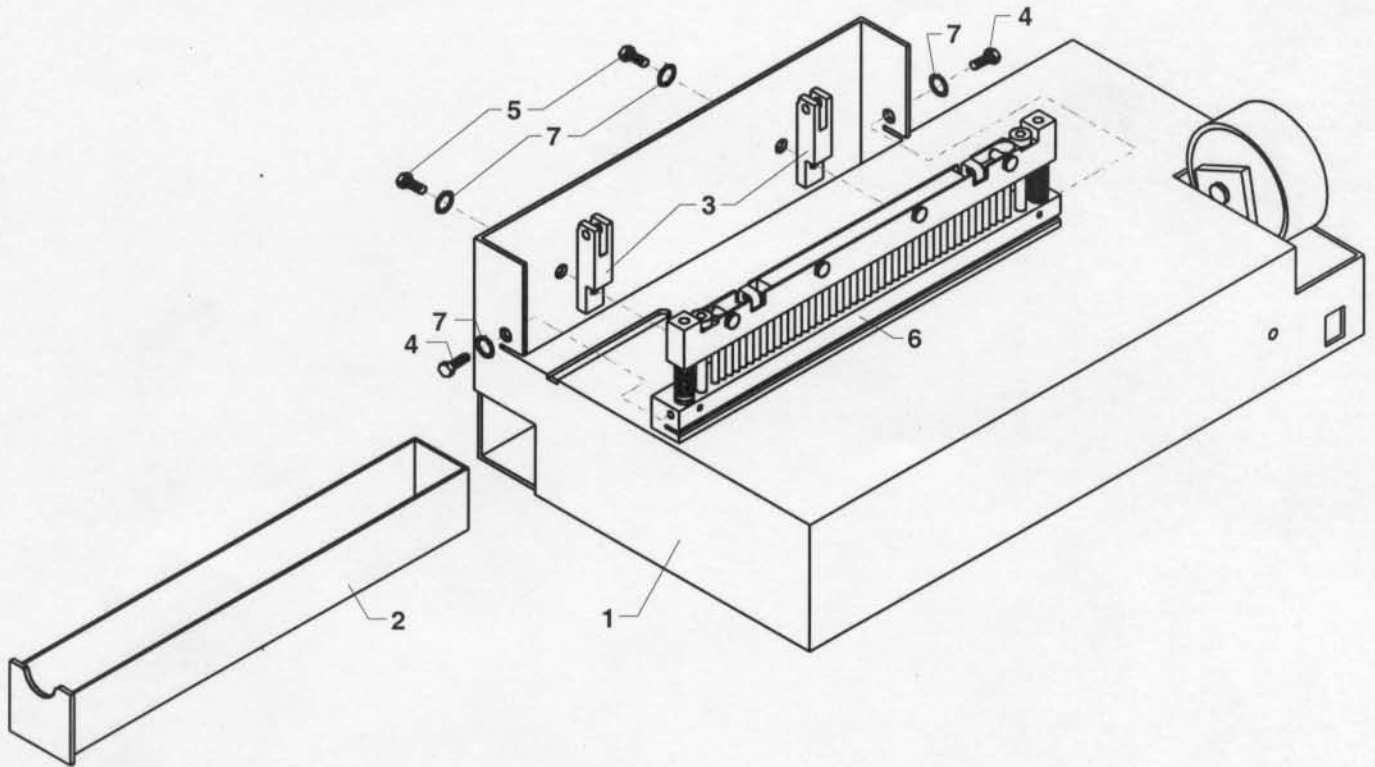
**PDI** Performance Design Inc.

2350 E. Braniff, Boise, Idaho 83716 / 208-384-8551 / PDI@PDIBIND.com / www.RHIN-O-TUFF.com

# PC-2000 PARTS BOOK

Page 9

- Die Mounting -



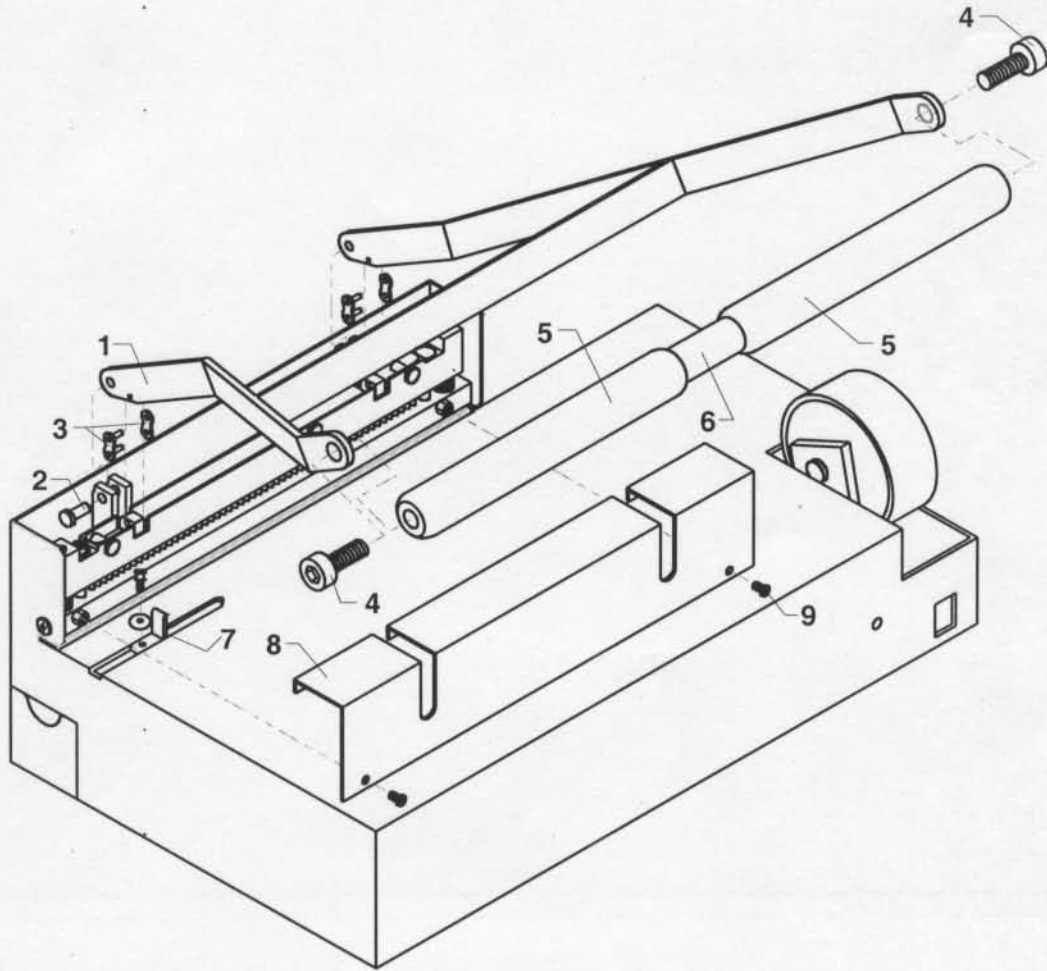
INDEX NO.	PART NO.	PART NAME	NO. REQ.
1	020050	CASE	1
2	020090	DRAWER	1
3	010060	HANDLE PIVOT	2
4	005310	1/4-20 x 1/2 HEX SCREW	2
5	005020	1/4-20 x 3/4 HEX SCREW	2
6	SEE PAGE 3	COMPLETE DIE ASSEMBLY	1
7	003030	1/4 LOCK WASHER	4

**PDI** Performance Design Inc.

2350 E. Braniff, Boise, Idaho 83716 / 208-384-8551 / PDI@PDIBIND.com / www.RHIN-O-TUFF.com

# PC-2000 PARTS BOOK

Page 10  
- Die Mounting -



INDEX NO.	PART NO.	PART NAME	NO. REQ.
1	010510	HANDLE WELD ASSEMBLY	1
2	001190	1/4 X 3/4 CLEVIS PIN	2
3	001180	#40 CONNECTING LINK	2
4	005150	3/8 X 3/8 SHOULDER BOLT	2
5	001500	FOAM GRIPS	2
6	020130	HANDLE BAR	1
7	020190	PAPER STOP	1
8	010500	TOP COVER	1
9	002090	10-32 X 3/16 PHILLIPS SCREW	2
10	001010	8-32 X 3/8 THUMB SCREW	1
11	003070	#8 X 3/4 FENDER WASHER	1
12	001860	DECAL (NOT SHOWN)	1

020310 ASSM.

020310 ASSM.

020310 ASSM.

020310 ASSM.

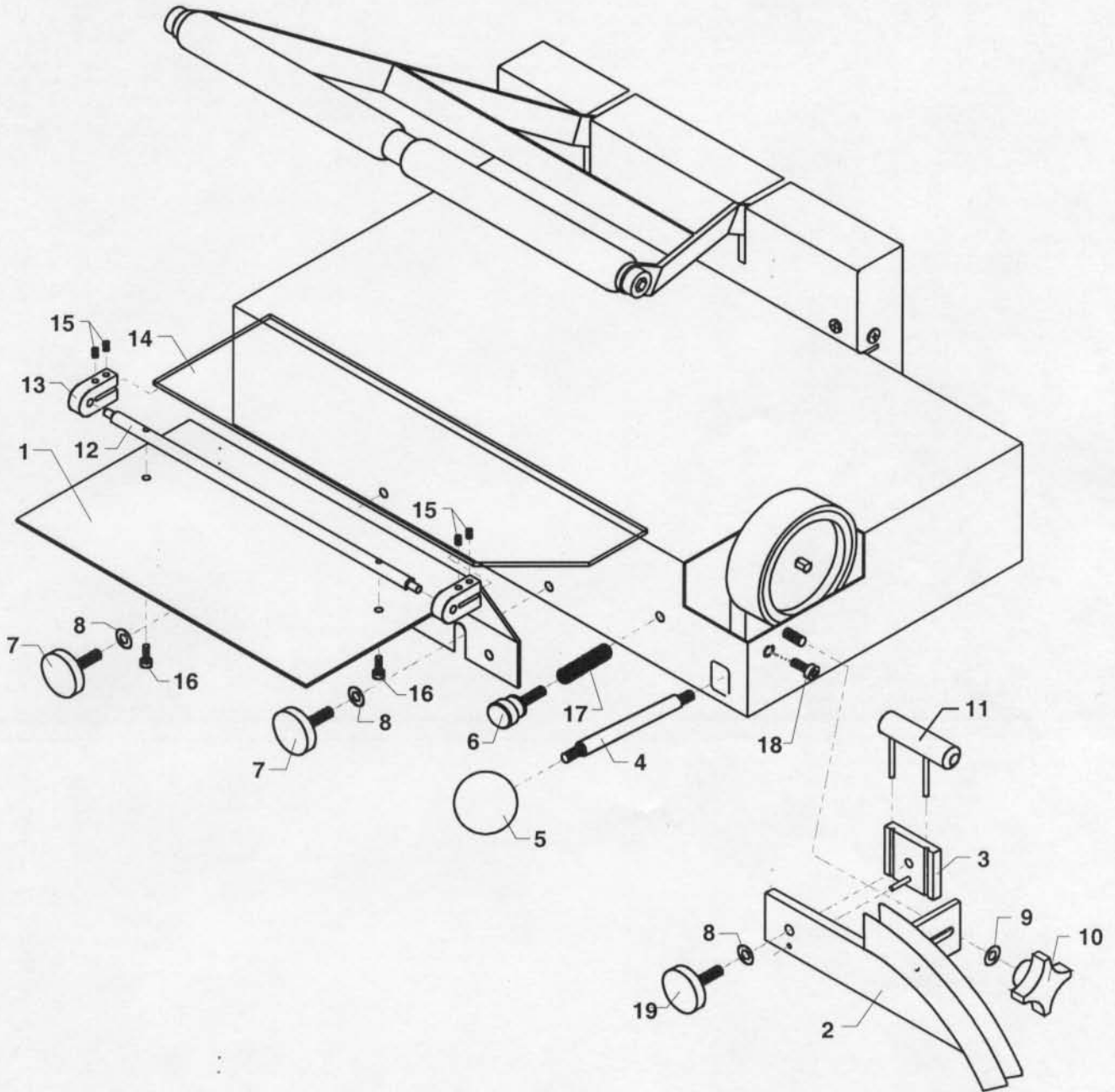
**PDI** Performance Design Inc.

2350 E. Braniff, Boise, Idaho 83716 / 208-384-8551 / PDI@PDIBIND.com / www.RHIN-O-TUFF.com

# PC-2000 PARTS BOOK

Page 11

- Table And Coil Guide -



# PC-2000 PARTS BOOK

Page 12

## - Table And Coil Guide - Index

SHIPPING KIT - PART NO. 020320			
INDEX NO.	PART NO.	PART NAME	NO. REQ.
2	030140	COIL GUIDE WELD ASSY.	1
3	030280	MANDREL ADJ. PLATE	1
	001240	1/8 X 1/2 ROLL PIN	1
4	030410	ENGAGEMENT SHAFT	1
5	001480	#1/4-20 FEM. 1" ROUND KNOB	1
6	031010	#8-32 x 1 KBTHS	1
7	001134	#1/4-20 X 1" STUDDED KNOB	2
8	003090	#1/4 FLAT WASHER	3
9	003080	#5/16 SAE FLAT WASHER	1
10	001270	#5/16-18 FEM. FLUTED KNOB	1
11	BELOW	MANDRELS	9
17	001260	1/4 DIA. X 1" SPRING	1
18	005180	#10-24 X 1/4 SHCS	1
19	001317	#1/4 X 1/2 KNOB	1

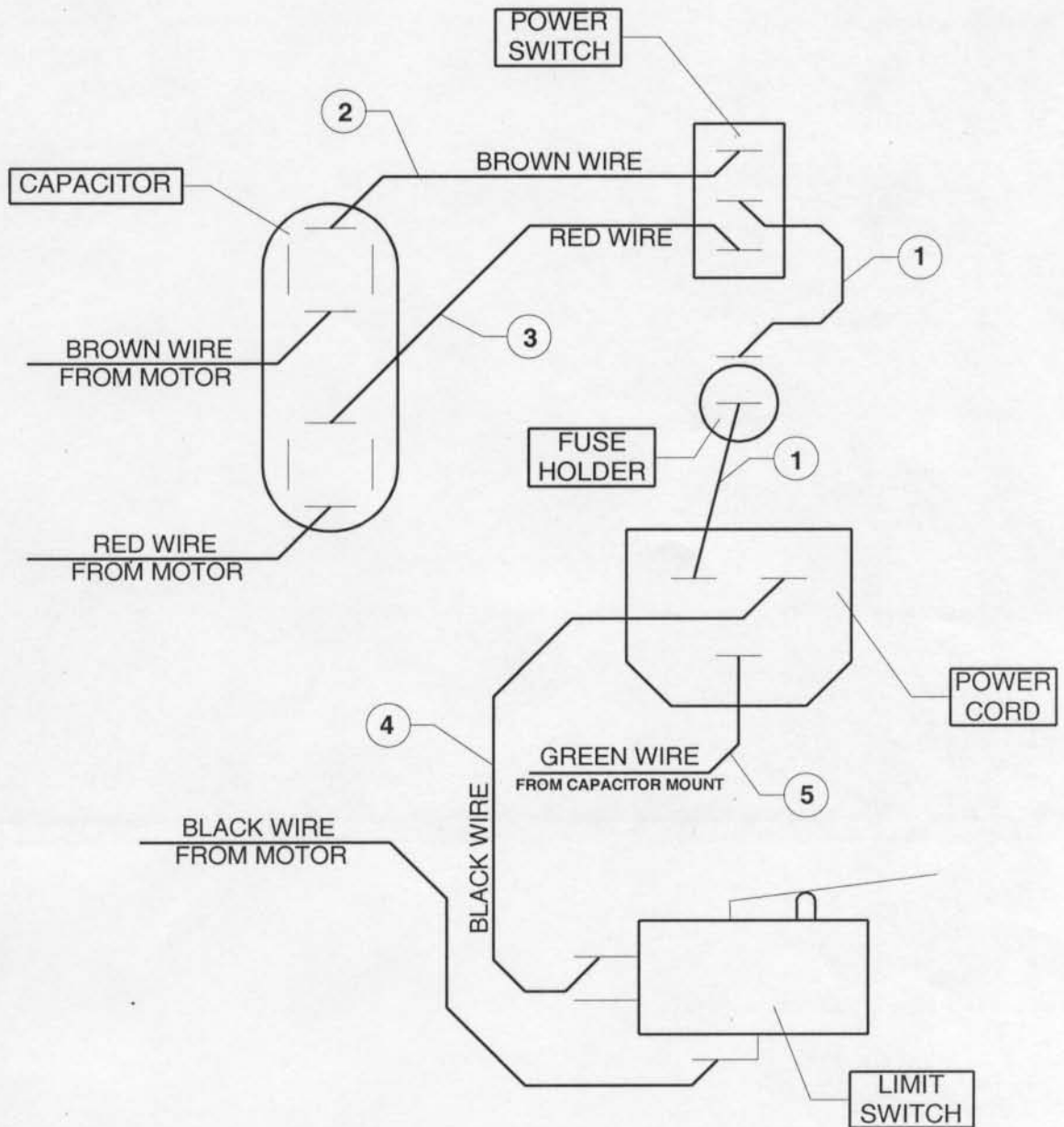
MANDRELS - PART NO. 030670	
PART NO.	PART NAME
030620	3/16" MANDREL ASSY.
030610	1/4" MANDREL ASSY.
030600	5/16" MANDREL ASSY.
030590	3/8" MANDREL ASSY.
030580	1/2" MANDREL ASSY.
030570	5/8" MANDREL ASSY.
030830	3/4" MANDREL ASSY.
030840	7/8" MANDREL ASSY.
030850	1" MANDREL ASSY.

SMALL TABLE RETRO-FIT KIT - PART NO. 020270			
INDEX NO.	PART NO.	PART NAME	NO. REQ.
1	020110	SMALL TABLE	1
12	030980	SMALL TABLE SHAFT	1
13	030990	LEXAN MOUNT	2
14	031020	LEXAN GUIDE	1
15	002120	#10-24 X 1/4 SET SCREW	4
16	005290	#8-32 x 1/4 SHCS	2

# PC-2000 PARTS BOOK

Page 13

- Wiring Diagram -



INDEX NO.	PART NO.	PART NAME	NO. REQ.
1	050760	JUMP WIRE ASSM.	2
2	020230	REVERSE WIRE ASSM.	1
3	020220	POWER WIRE ASSM.	1
4	020240	LIMIT SWITCH WIRE ASSM.	1
5	020250	GROUND WIRE ASSM.	1

**PDI** Performance Design Inc.

2350 E. Braniff, Boise, Idaho 83716 / 208-384-8551 / PDI@PDIBIND.com / www.RHIN-O-TUFF.com