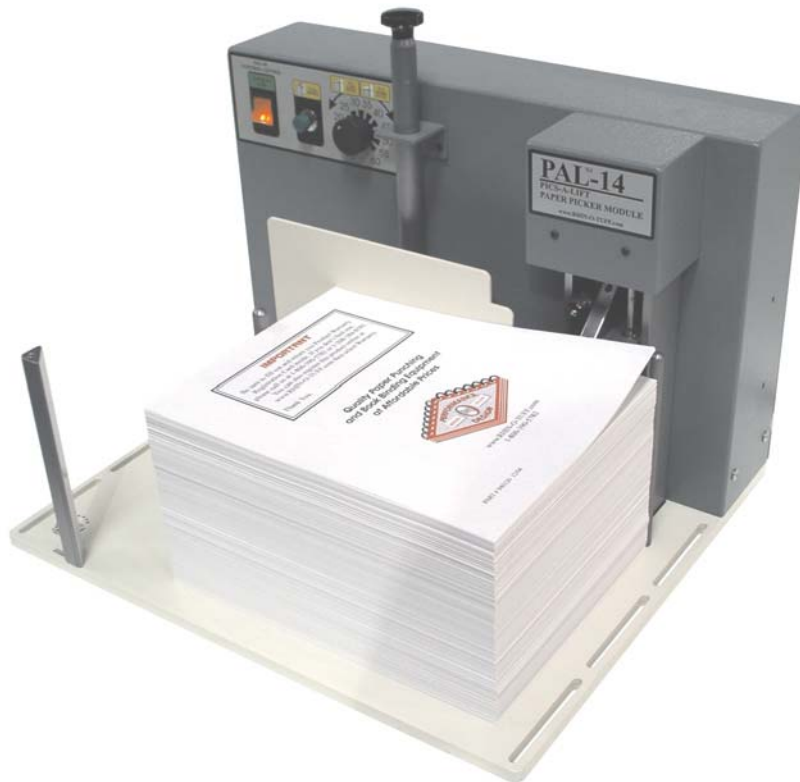


PDi Performance Design Inc.

PAL-14 PARTS BOOK UL

CE
Piks-A-Lift



Performance Design Inc.
2350 E. Braniff Street
Boise, Idaho 83716-9613

WWW. RHIN-



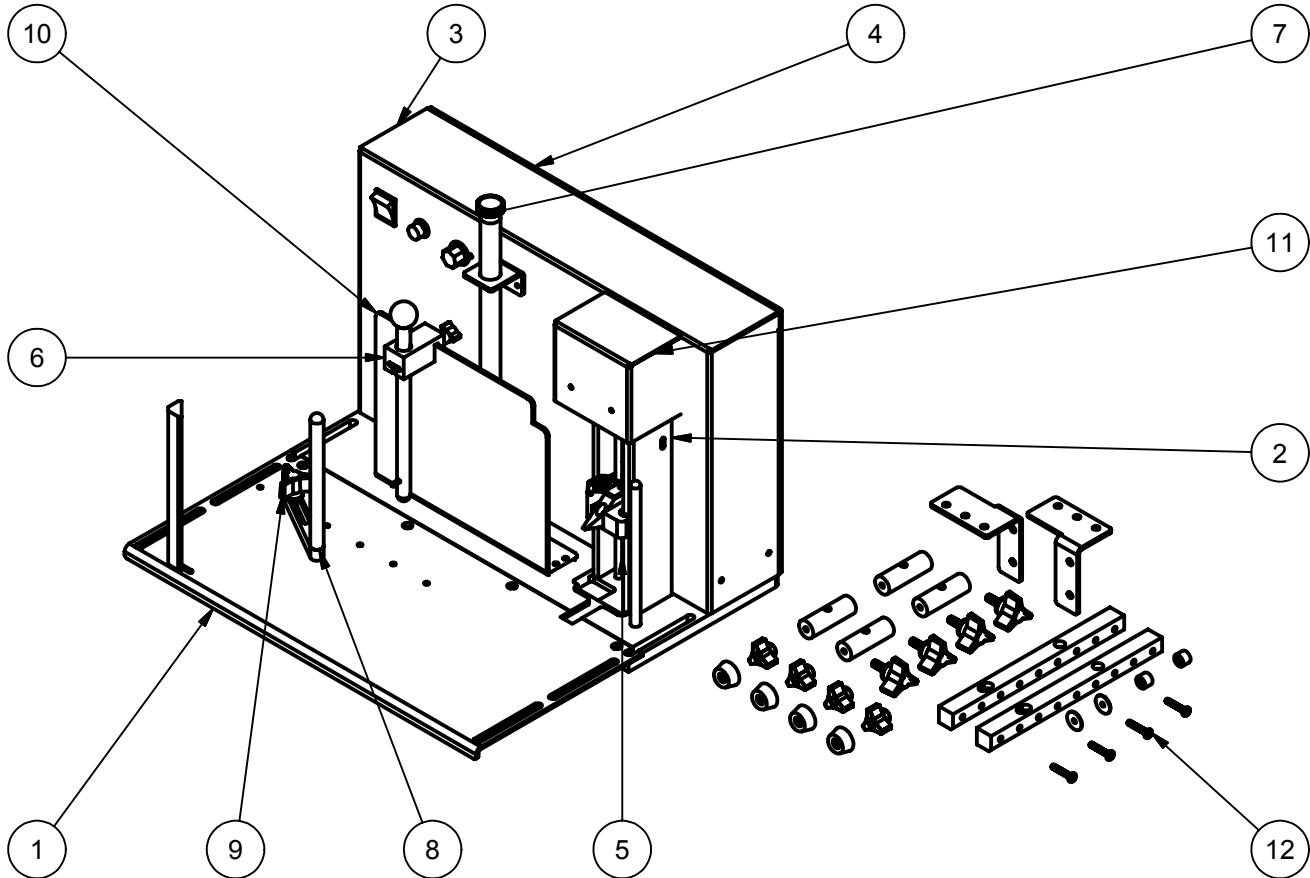
-TUFF .COM

1-800-390-5782 (English speaking)
FAX 1-800-390-5783 (All Languages)
Pdi@pdibind.com (All Languages)

PAL-14 Parts Book

Page 1

PAL Main Assembly

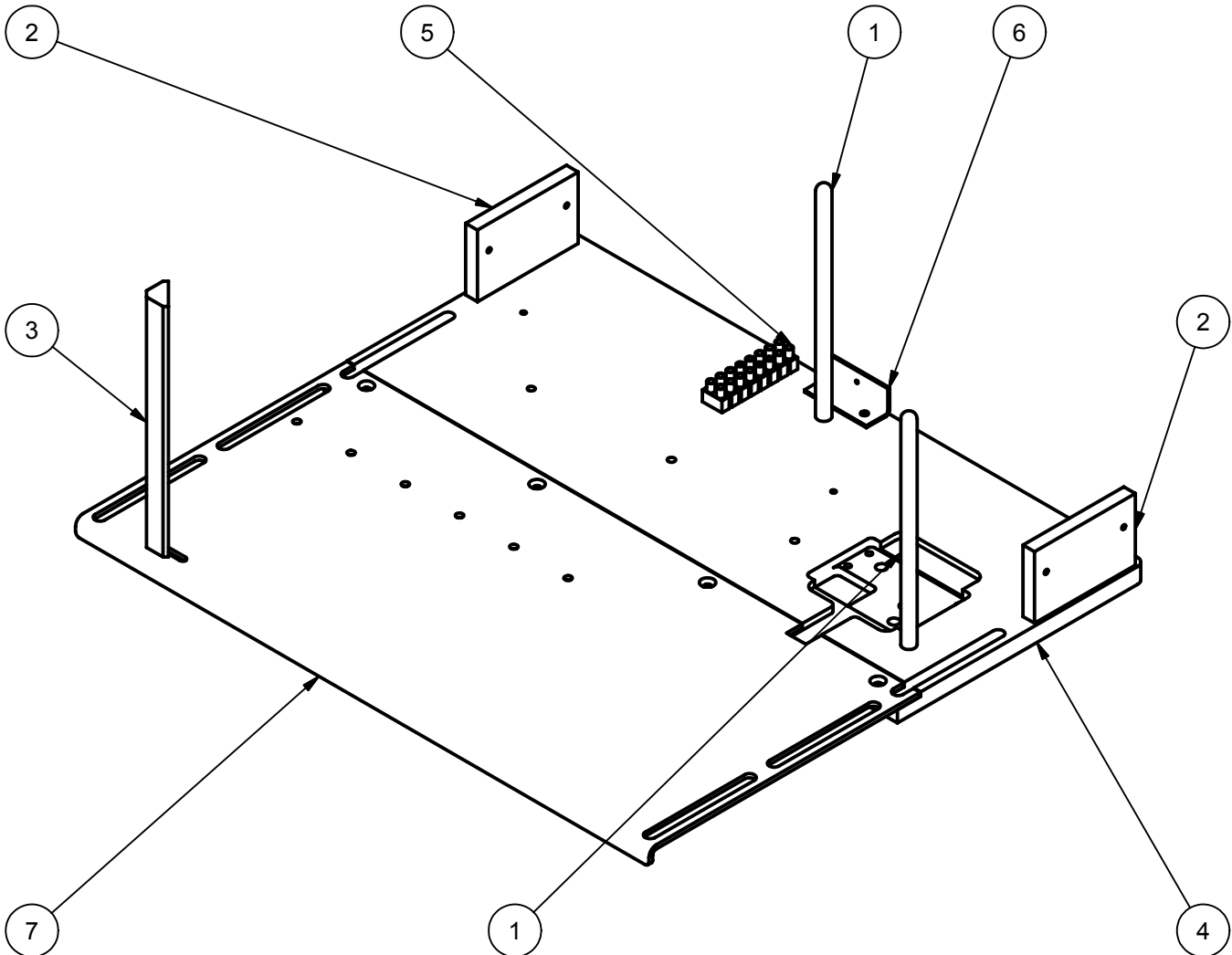


PAL Main Assembly				
ITEM	QTY	PART NUMBER	DESCRIPTION	NOTE
1	1	000730	Base Plate Assembly	See Page 2
2	1	000731	Stabber Tower Assembly	See Page 3
3	1	000732	Control Cover Assembly	See Page 5
4	1	000733	Back Panel Assembly	See Page 6
5	1	000734	Electrical Panel Assembly	See Page 7
6	1	000735	Plunger Assembly	See Page 8
7	1	000736	Rear Stop Clamp Screw Assembly	See Page 9
8	1	000737	Adjustable Paper Stop Assembly	See Page 10
9	1	001447	Knob, Three Arm 1/4-20 x 3/4	
10	1	900700	Rear Stop Plate	
11	1	900703	Motor Cover	
12	1	Mounting Accessories		See Page 11

PAL-14 Parts Book

Page 2

Base Plate Assembly

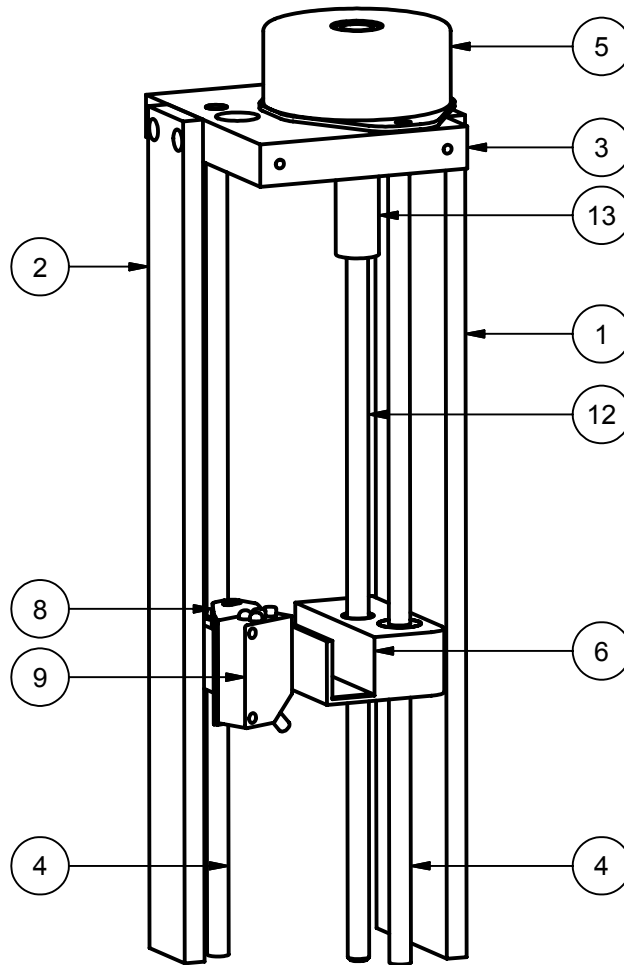


Parts List				
ITEM	QTY	PART NUMBER	DESCRIPTION	NOTE
1	2	000706	Rear Stop Rod / Harness Guide	
2	2	000707	Cover Bracket	
3	1	000722	Reflector Bracket	001104 Reflective Tape
4	1	000743	Base Plate	
5	1	001702	Strip, Terminal 8 Pole	
6	1	900706	Back Cover Support	
7	1	900709	Base Plate, Front	

PDI Performance Design Inc.

2350 East Braniff, Boise ID 83716 / 800-390-5782 / PDI@PDIBIND.COM / www.RHIN-O-TUFF.com

Tower Assembly

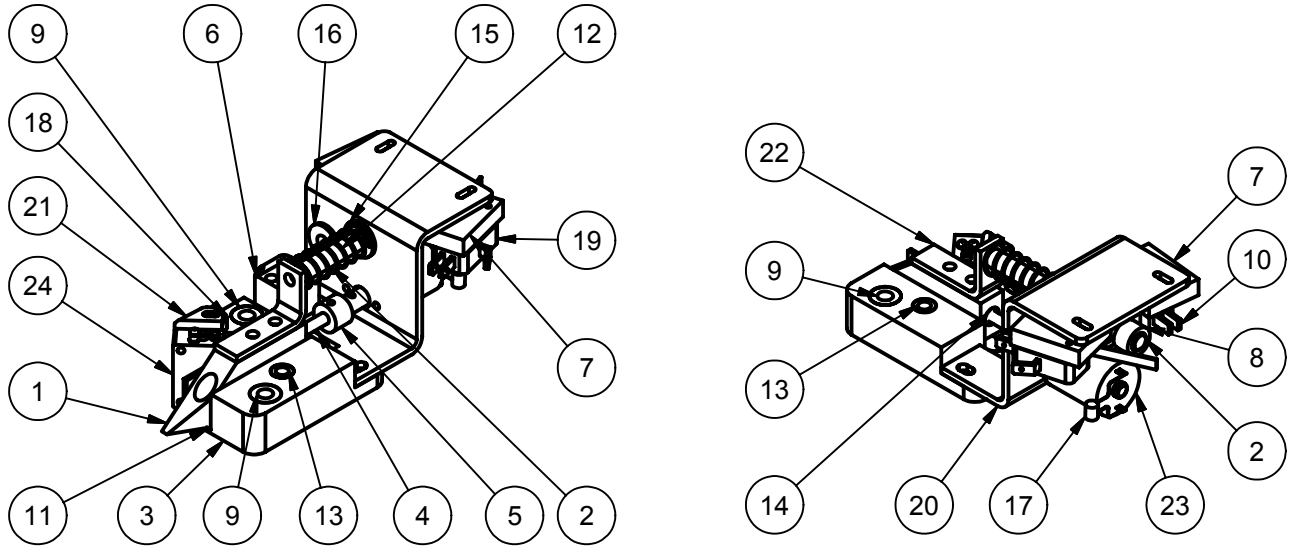


Parts List				
ITEM	QTY	PART NUMBER	DESCRIPTION	NOTE
1	1	000710	Elevator Arm, Right	
2	1	000721	Elevator Arm, Left	
3	1	000712	Motor Mount	
4	2	001695	Precision Shaft 1/4" x 10"	
5	1	900720	Stepping Motor	
6	1	000709	Elevator Plate	
7	2	001297	Slide Frelon Bushing	
8	1	900708	Sensor Bracket	
9	1	900740	sun-x sensor	
12	1	000715	Elevator Screw	
13	1	000714	Motor Coupling, Stepper	

PAL-14 Parts Book

Page 4

Stabber Assembly



Stabber Assembly				
ITEM	QTY	PART NUMBER	DESCRIPTION	NOTE
1	1	000705B	Stabber Two-Piece	
2	1	000708	Stabber Guide Rod	
3	1	000709	Elevator Plate	
4	1	000716	Stabber Screw	
5	1	000717	Motor Coupling, Stabber	
6	1	000719	Cam, Microswitch	
7	2	000720	Bracket, Stop Rod Microswitch	
8	1	001233	5/16 collar	
9	2	001297	Slide Frelon Bushing	
10	1	001406	Switch, Roller	
11	1	001407	UHMW tape	
12	1	001694	Spring, Stabber	
13	1	001696	1/4-28 insert	
14	1	001697	Threaded Insert 10-24	
15	1	001698	Bushing, Nylon	
16	1	001699	Grommet	
17	1	001704	Capacitor, 0.1uF	
18	1	001707	Nylon Spacer 5/16 x 5/16	
19	1	007960	Switch, Versa	Modified Lever
20	1	900704	Motor Bracket	
21	1	900708	Sensor Bracket	
22	1	900713	Stabber Extension	
23	1	900730	Moter, Stabber	
24	1	900740	sun-x sensor	

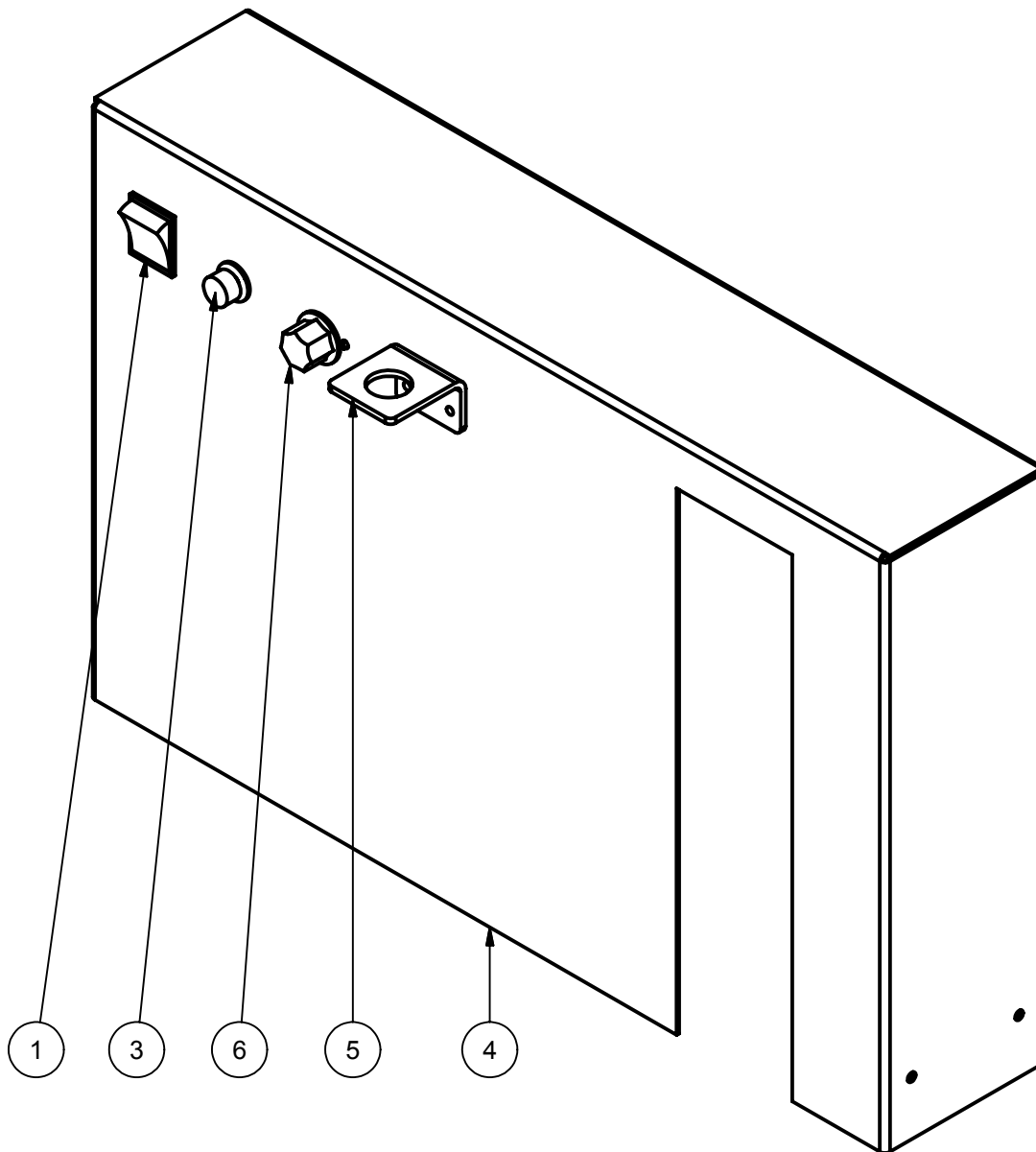
PDI Performance Design Inc.

2350 East Braniff, Boise ID 83716 / 800-390-5782 / PDI@PDI.BIND.COM / www.RHIN-O-TUFF.com

PAL-14 Parts Book

Page 5

Control Cover Assembly



Control Cover Assembly				
ITEM	QTY	PART NUMBER	DESCRIPTION	NOTE
1	1	001496	Switch,Rocker	230VAC Model Use P/N: 001711
2	1	007022	Filter,Corcom 6EHT1	Not Shown; 230VAC Model Only
3	1	071760LP	Switch, Pushbutton	
4	1	900702	Cover	
5	1	900707	Clamp Screw Bracket	
6	1	900760	Potentiometer Assembly	

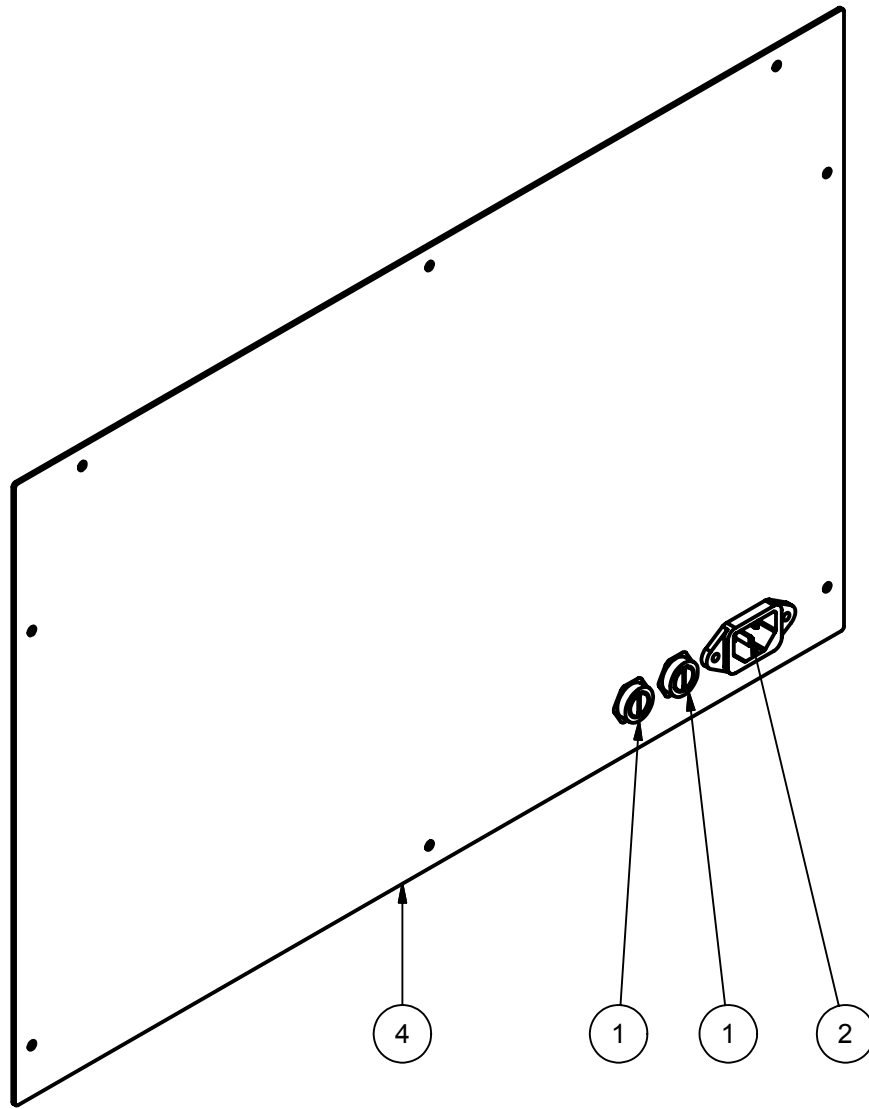
PDI Performance Design Inc.

2350 East Braniff, Boise ID 83716 / 800-390-5782 / PDI@PDIBIND.COM / www.RHIN-O-TUFF.com

PAL-14 Parts Book

Page 6

Back Panel Assembly



Back Panel Assembly				
ITEM	QTY	PART NUMBER	DESCRIPTION	NOTE
1	2	007000	Fuse Holder, 1/4 x 1 1/4 Panel	230VAC Model Use P/N: 007005
2	1	007050	Recepticle, Power Cord	
3	2	007120	Fuse, MDL 2 Amp Slow (Not Shown)	230VAC Mode Use P/N: 007019
4	1	900705	Back Cover	

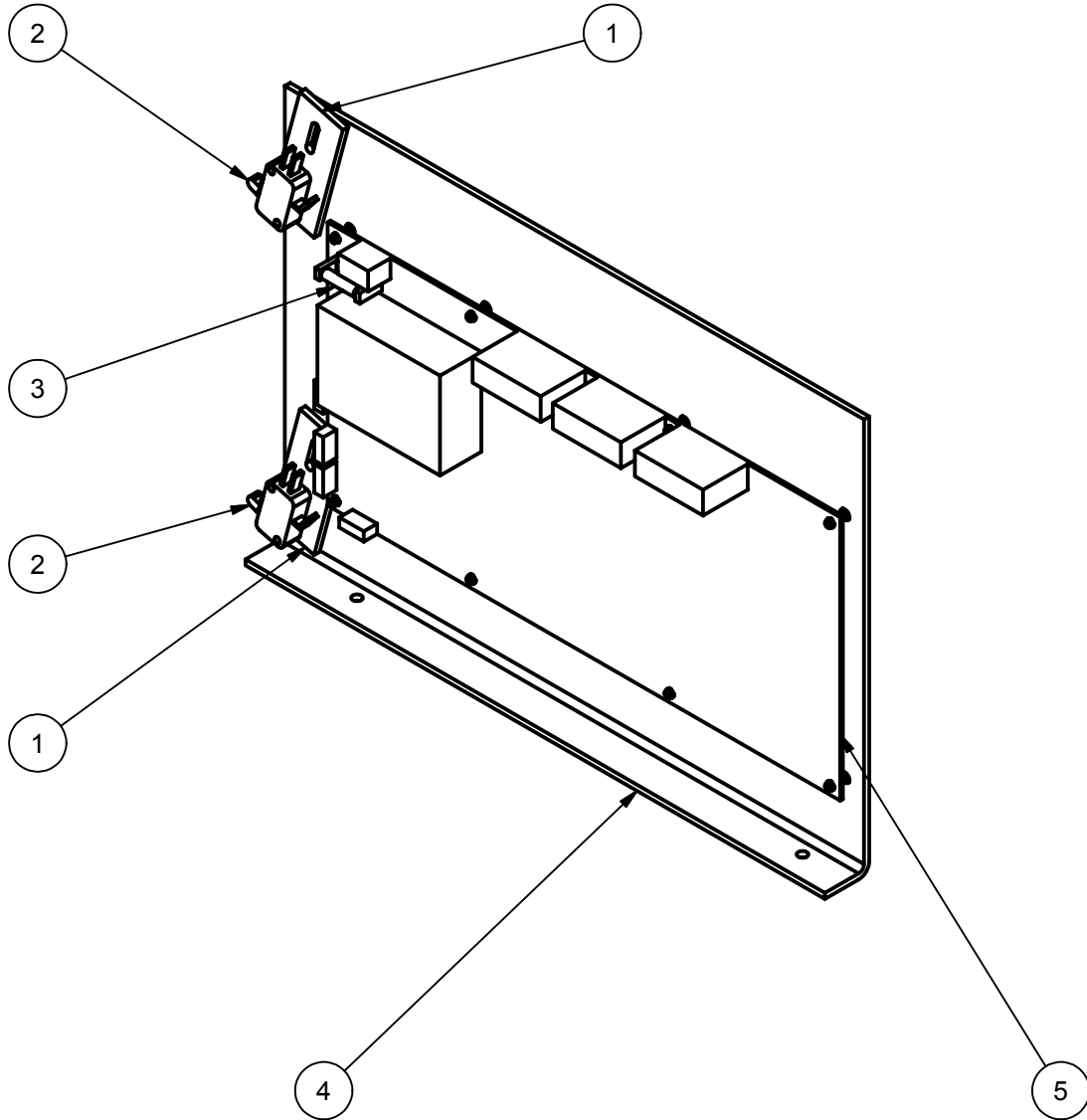
PDI Performance Design Inc.

2350 East Braniff, Boise ID 83716 / 800-390-5782 / PDI@PDI.BIND.COM / www.RHIN-O-TUFF.com

PAL-14 Parts Book

Page 7

Electrical Panel Assembly



Electrical Panel Assembly				
ITEM	QTY	PART NUMBER	DESCRIPTION	NOTE
1	2	000718	Bracket, Microswitch	
2	2	001406	Switch, Roller	
3	1	001664	Fuse M5 x 20 1 Amp Fast	
4	1	900701	Electrical Panel	
5	1	900755	Picker Circuit Board	

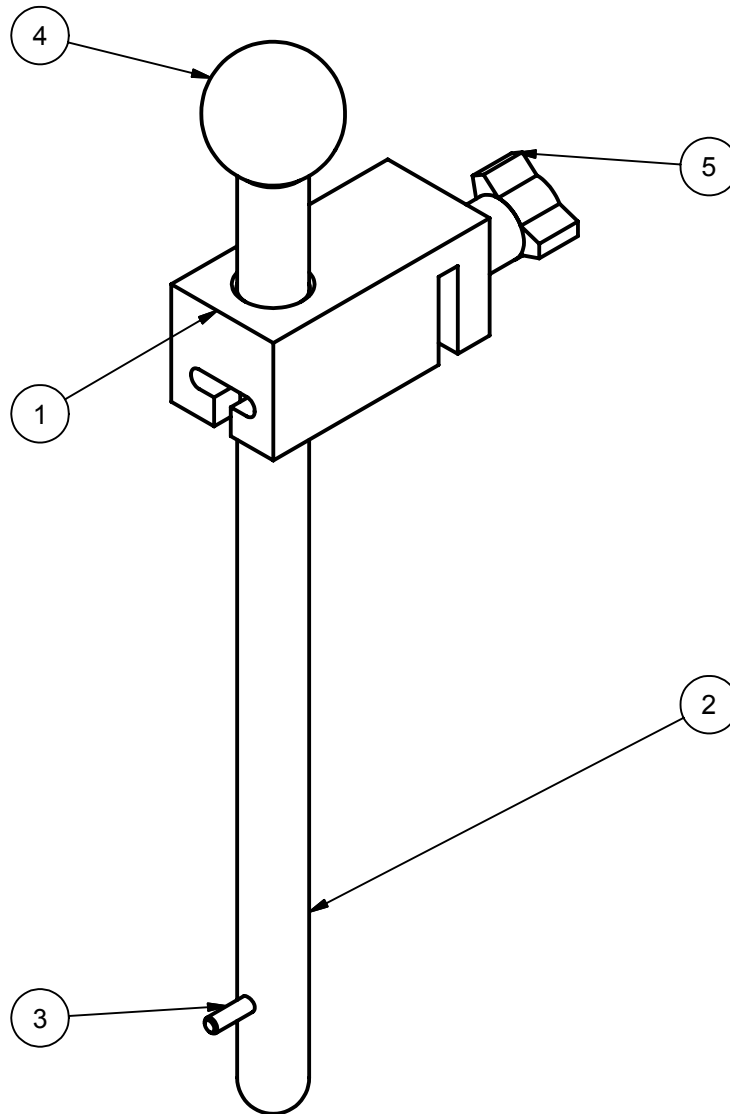
PDI Performance Design Inc.

2350 East Braniff, Boise ID 83716 / 800-390-5782 / PDI@PDIBIND.COM / www.RHIN-O-TUFF.com

PAL-14 Parts Book

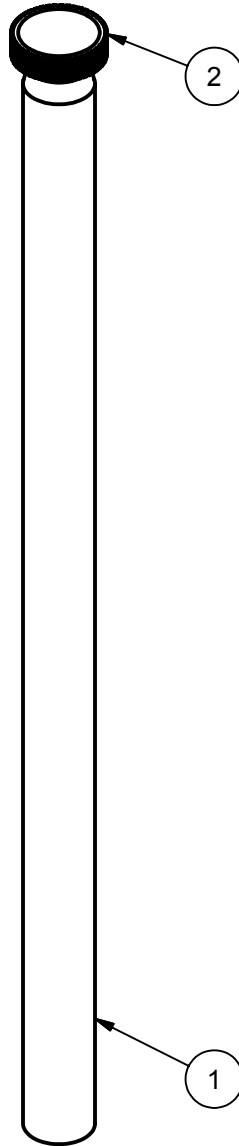
Page 8

Plunger Assembly



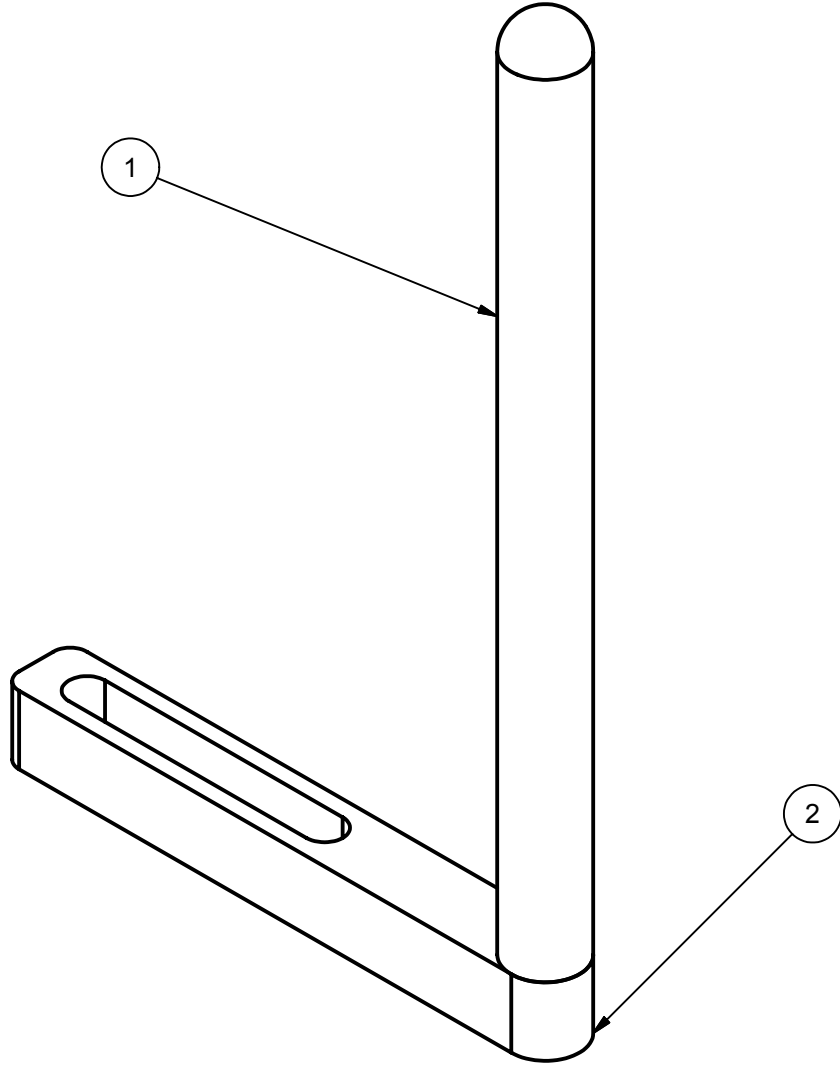
Parts List				
ITEM	QTY	PART NUMBER	DESCRIPTION	NOTE
2	1	000703	Plunger	Assembly P/N:000735
1	1	000704	Plunger Bracket	Assembly P/N:000735
3	1	001076	Pin, Dowel 1/8 x 5/8	Assembly P/N:000735
4	1	001480	Knob, Round 1" Diameter	Assembly P/N:000735
6	1	001606	Screw, SHSS 1/4-20 x 3/4 Stainless	Assembly P/N:000735
5	1	002210	Knob, 8-32 X 9-16 Plastic 3 Lug	

Rear Stop Clamp Screw Assembly



Rear Stop Clamp Screw Assembly				
ITEM	QTY	PART NUMBER	DESCRIPTION	NOTE
1	1	000713	Rear Stop Clamp Screw	Assembly P/N:000736
2	1	001317	Knob, Studded 1/4-20 x 1/2	Assembly P/N:000736

Adjustable Paper Stop Assembly

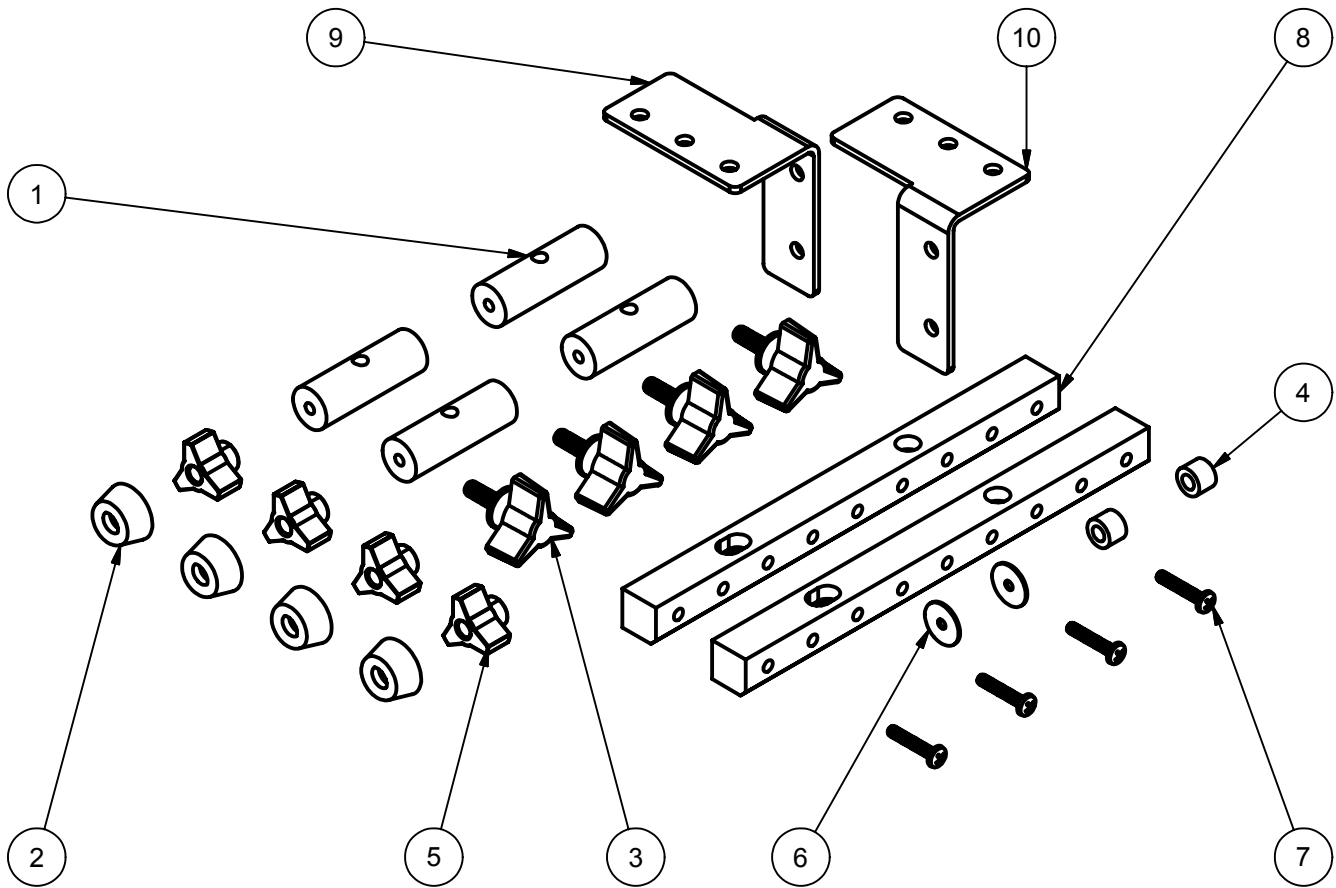


Adjustable Paper Stop Assembly				
ITEM	QTY	PART NUMBER	DESCRIPTION	NOTE
1	1	000701	Adjustable Paper Stop Rod	Assembly P/N:000737
2	1	000702	Adjustable Paper Stop Bracket	Assembly P/N:000737

PAL-14 Parts Book

Page 11

Mounting Accessories



Mounting Accessories				
ITEM	QTY	PART NUMBER	DESCRIPTION	NOTE
1	4	000711	Standoff, APES	With Stud Insert
2	4	001050	Foot, Rubber Screw Mount	
3	4	001447	Knob, Three Arm 1/4-20 x 3/4	
4	2	001712	Base Plate Spacer	
5	4	001714	Knob, Three Arm 10-32 Female	
6	2	003070	Washer, Flat #8 x 750	
7	4	005410	Screw, PPHMS 10-32 x 1	
8	2	082570	Block, Mate 4700 8270 8370	
9	1	940002	Bracket, Right HD Module	
10	1	940003	Bracket, Left HD Module	

PDI Performance Design Inc.

2350 East Braniff, Boise ID 83716 / 800-390-5782 / PDI@PDI.BIND.COM / www.RHIN-O-TUFF.com