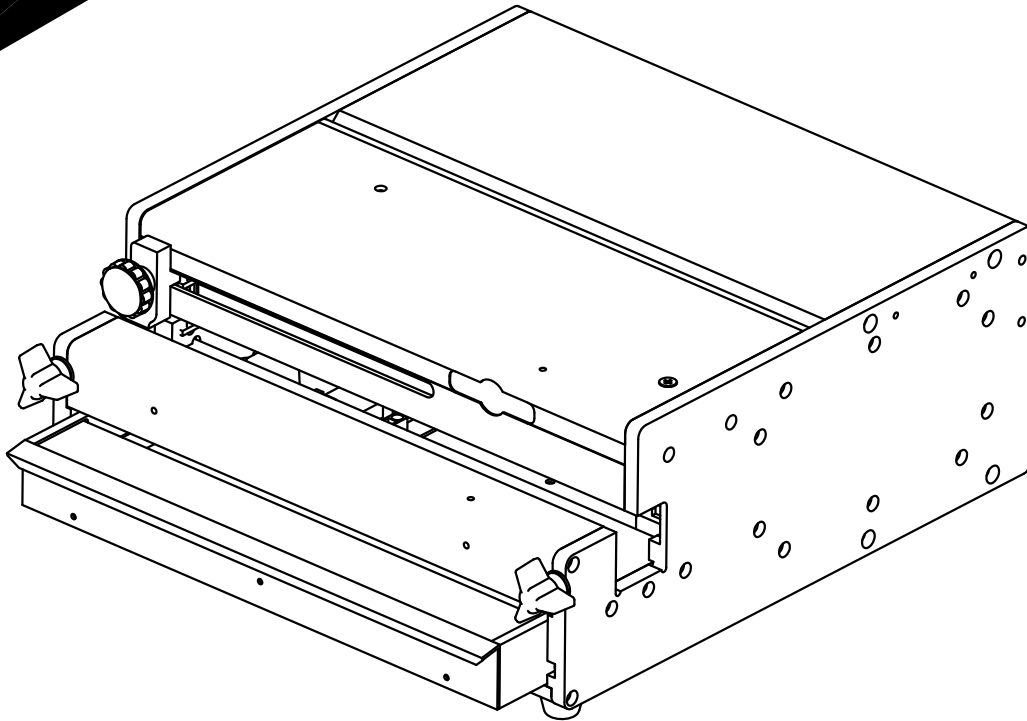


# RHIN-O-TUFF

# OD-4012 PARTS BOOK

Ultima 12" Punch  
Rev. 0



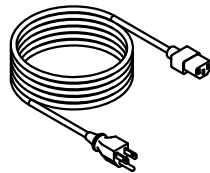
Mailing Address: 2350 E. Braniff, Boise, Idaho 83716-9613  
Telephone: 208-384-8551  
Fax: 208-384-8583  
Web: [www.RHIN-O-TUFF.com](http://www.RHIN-O-TUFF.com)

# OD-4012 PARTS BOOK

Page 1  
Introductory Page

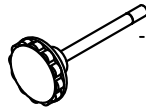
Upon unpacking their new HD 4170 punch, they should have the following items included:

Power Cord .....



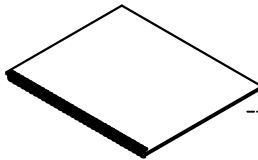
..... PDi Part # 007090

Reversing Tool .....



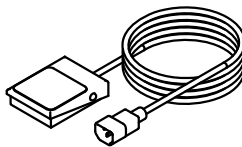
..... PDi Part # 001281

OD-4012 Instruction Book .....



..... PDi Part # 940120

Foot Pedal CE/UL .....



..... PDi Part # 007013

This book is intended for Rhin-O-Tuff dealers.

Performance Design, LLC

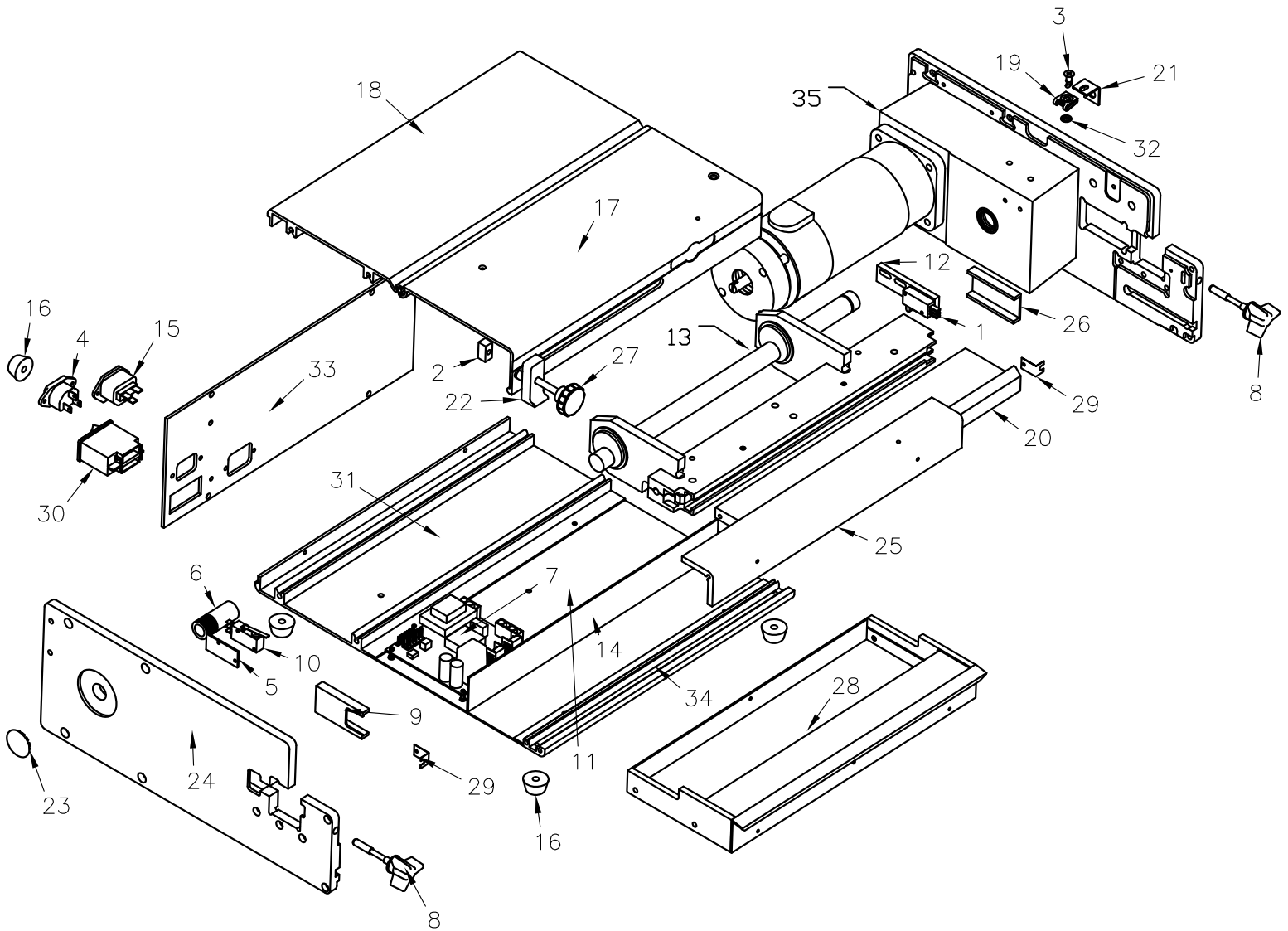
2350 E. Braniff, Boise, Idaho 83716 / 208-384-8551 / [www.RHIN-O-TUFF.com](http://www.RHIN-O-TUFF.com)

Introductory Page .....	1
Table Of Contents .....	2
4170 Final Assembly, Machine .....	3
4170 Final Assembly, Index .....	4
Assembly, Pusherbar .....	5
Assembly, Gearbox .....	6
Assembly, Gearbox, index .....	7
4012 Wiring Diagram UL .....	8
4012 Wiring Diagram CE .....	9

# HD-4012 PARTS BOOK

Page 3

- Final Assembly, Machine -



Performance Design, LLC

2350 E. Braniff, Boise, Idaho 83716 / 208-384-8551 / [www.RHIN-O-TUFF.com](http://www.RHIN-O-TUFF.com)

# HD-4012 PARTS BOOK

Page 4

- Final Assembly, Machine -

Item #	PDI P/N	Qty	Description	Notes
1	001950	1 ea	SWITCH,SHORT ROLLER .1 AMP	
2	052510	1 ea	VERSASWITCH NUT	
2	004000	1 ea	NUT,NYLOCK 1/4-20 USE WITH 052510	
3	001157	1 ea	SCREW,LOCK SAFETY FASTENER	
4	007050	1 ea	RECEPTICLE, CORD POWER	115VAC
5	001151	1 ea	INSULATOR,SWITCH	
6	040012	1 ea	GUIDE,REVERSE TOOL ENTRANCE	
7	*	1 ea	PCA CONTROL BOARD	115/230
8	040018	2 ea	ASSY,DIE LOCK KNOB 4012 REPL.	
9	040140	1 ea	BUSHING,DELFIN PUSHERBAR LEFT	
10	001840	1 ea	SWITCH,LEVER ACTION .1 AMP	
11	940730	1 ea	PANEL,BOTTOM W/BD MNTS HD-4012	
12	040023	1 ea	BLOCK,STOP SWITCH MOUNT II	
13	-	1 ea	PUSHERBAR ASSEMBLY	
14	940720	1 ea	PLATE,SHIELD HD-4012	
15	007040	1 ea	RECEPTICLE, CORD FOOT PEDAL	115VAC
16	001050	5 ea	FEET,RUBBER SCREW MOUNT	
17	040040	1 ea	COVER,FRONT	
18	040090	1 ea	PLATE,TOP	
19	001159	1 ea	RECEPTICAL,SAFETY FASTENER	
20	040105	1 ea	MOUNT,DIE HD-4012	
21	040670	1 ea	BRACKET,SAFETY SCREW	
22	071930	1 ea	STOP,PAPER 7000/6500 SCRIBE	
23	001662	1 ea	PLUG,HOLE STEEL NICKEL 15/16"	
24	040735	1 ea	SIDEPLATE,LEFT HD-4012	
25	040055	1 ea	TOP,FRONT HD-4012	
26	040240	1 ea	BUSHING,PUSHER BAR RIGHT	
27	001838	1 ea	KNOB,SUREGRIP 1/4-20 X 1 1/4"	
28	040600	1 ea	ASSY,DRAWER CHIP OD-4012	
28	940001	1 ea	COVER,LEXAN CHIP DRAWER OD4012	
30	007013	1 ea	BREAKER,CIRCUIT 10 AMP	115VAC
30	008160	1 ea	SWITCH,CIRCUIT BREAKER CE	230VAC
30	007011	1 ea	FILTER,CORCOM 6EP1	230VAC
31	040170	1 ea	PLATE,BOTTOM 4000/4012	
32	001158	1 ea	KEEPER, SAFETY FASTENER	
33	940710	1 ea	PANEL,ELETRICAL HD-4012	
34	040030	1 ea	FRONT,BOTTOM	
35	-	1 ea	ASSEMBLY, GEARBOX	

\* Call Rhin-O-Tuff Service at 1-208-384-8551

for this replacement part.

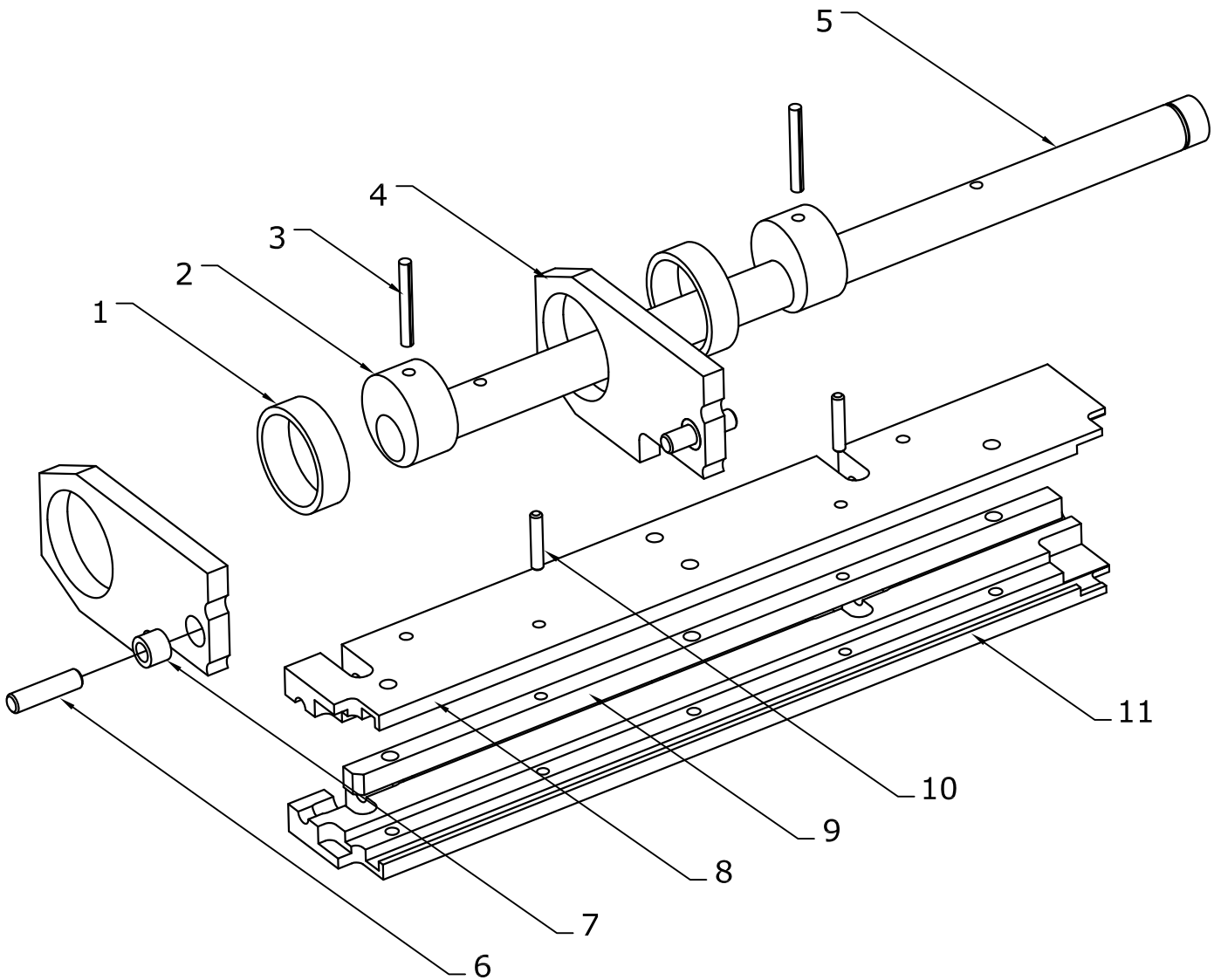
Performance Design, LLC

2350 E. Braniff, Boise, Idaho 83716 / 208-384-8551 / [www.RHIN-O-TUFF.com](http://www.RHIN-O-TUFF.com)

# HD-4012 PARTS BOOK

Page 5

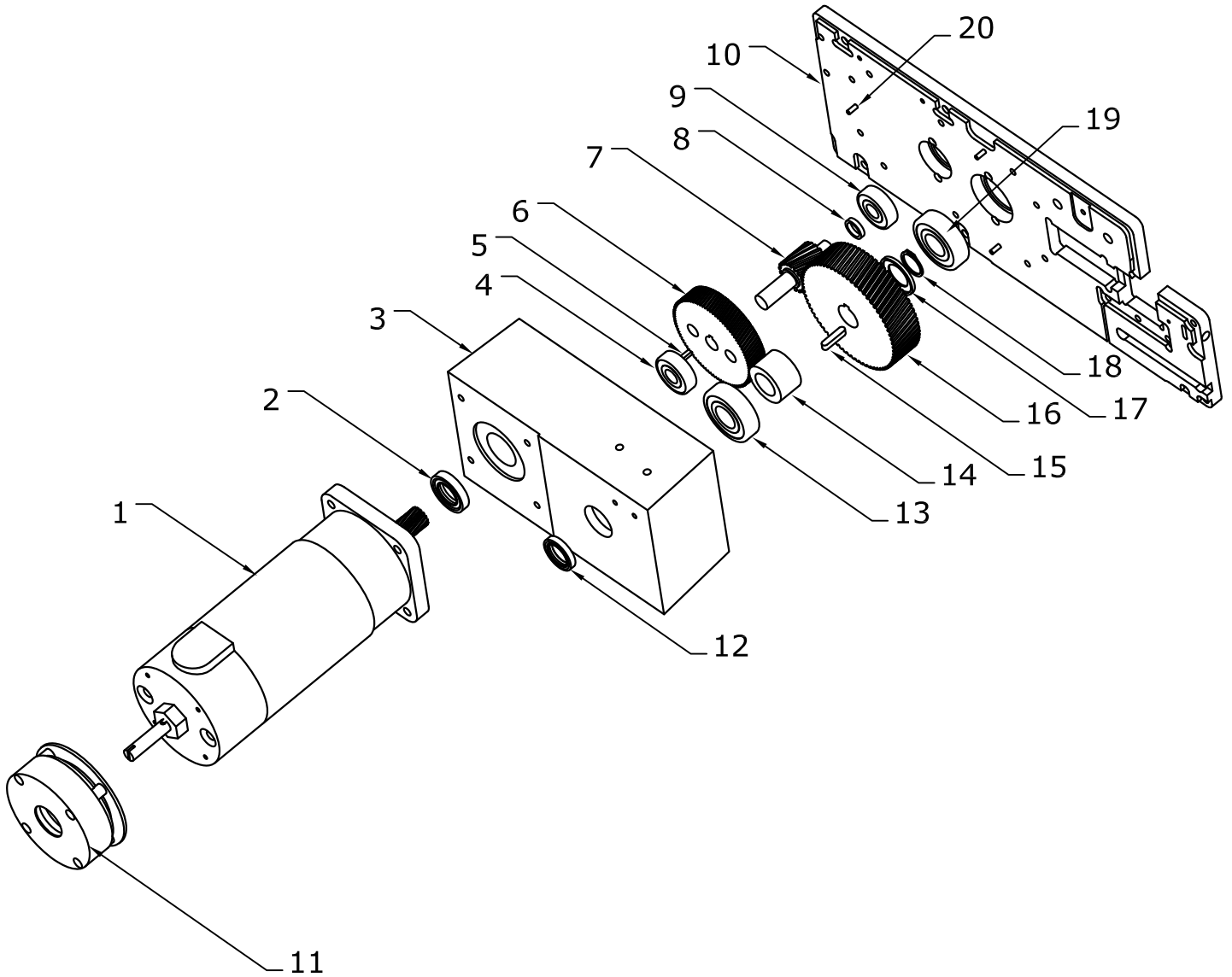
- Assembly, Pusherbar -



Item #	PDI P/N	Qty	Description	Notes
1	040460	2 ea	BUSHING,OILLITE 1.5 X 1.75 X .5	
2	040110	2 ea	CAM,CONNECTING ROD	
3	001422	2 ea	PIN,GROOVE 3/16 X 1 1/2"	
4	040081	2 ea	ROD,CONNECTING 4000/4012 5/08	
5	040001	1 ea	CRANKSHAFT,HD-4000 HD-4012	
6	001063	2 ea	PIN,DOWEL 5/16 X 1.1/4	
7	040300	2 ea	BUSHING,OILLITE .314 X .502 X .375	
8	048185	1 ea	PUSHERBAR, TOP HALF HD-4012	
9	048160	1 ea	BAR,PIN BACKUP 4000/4800	
10	005090	2 ea	PIN,DOWEL 3/16 X 1"	
11	048175	1 ea	PUSHERBAR,BOTTOM HALF HD4012	

Performance Design, LLC

2350 E. Braniff, Boise, Idaho 83716 / 208-384-8551 / www.RHIN-O-TUFF.com



# HD-4012 PARTS BOOK

Page 7

- Assembly, Gearbox -

Item #	PDI P/N	Qty	Description	Notes
1	941020	1 ea	MOTOR,1/3HP 115V DC	115VAC
1	941030	1 ea	MOTOR,1/3HP 230V DC	230VAC
2	001416	1 ea	SEAL, MOTOR 7700 GEARBOX	
3	*	1 ea	GEARBOX, HD-4012	
4	*	1 ea	BEARING,PINION 7700 GEARBOX	
5	*	1 ea	KEY, PINION 7700 GEARBOX	
6	*	1 ea	GEAR, 90T. 32 D.P. HIGH SPEED	
7	*	1 ea	GEAR, 18T. 20D.P. PINION	
8	*	1 ea	SPACER,HIGH SPEED GEAR BEARING	
9	*	1 ea	BEARING,PINION 7700 GEARBOX	
10	040075	1 ea	SIDEPLATE,RIGHT HD-4012	
11	001470	1 ea	BRAKE,110VAC	115VAC
11	001472	1 ea	BRAKE,230VAC	230VAC
12	001049	1 ea	SEAL, GEARBOX SHAFT 7000	
13	*	1 ea	BEARING, CRANKSHAFT 7700	
14	*	1 ea	SPACER,LOW SPEED GEAR	
15	*	1 ea	KEY, CRANKSHAFT 7700 GEARBOX	
16	*	1 ea	GEAR, 69T. 20D.P.	
17	*	1 ea	SPACER,GEARBOX CRANKSHAFT	
18	*	1 ea	RING, EXTERNAL RETAINING 3/4"	
19	*	1 ea	BEARING, CRANKSHAFT 7700	
20	*	1 ea	PIN,DOWEL 1/8 X 5/8	

\* Call Rhin-O-Tuff Service at 1-208-384-8551  
for this replacement part.

Performance Design, LLC

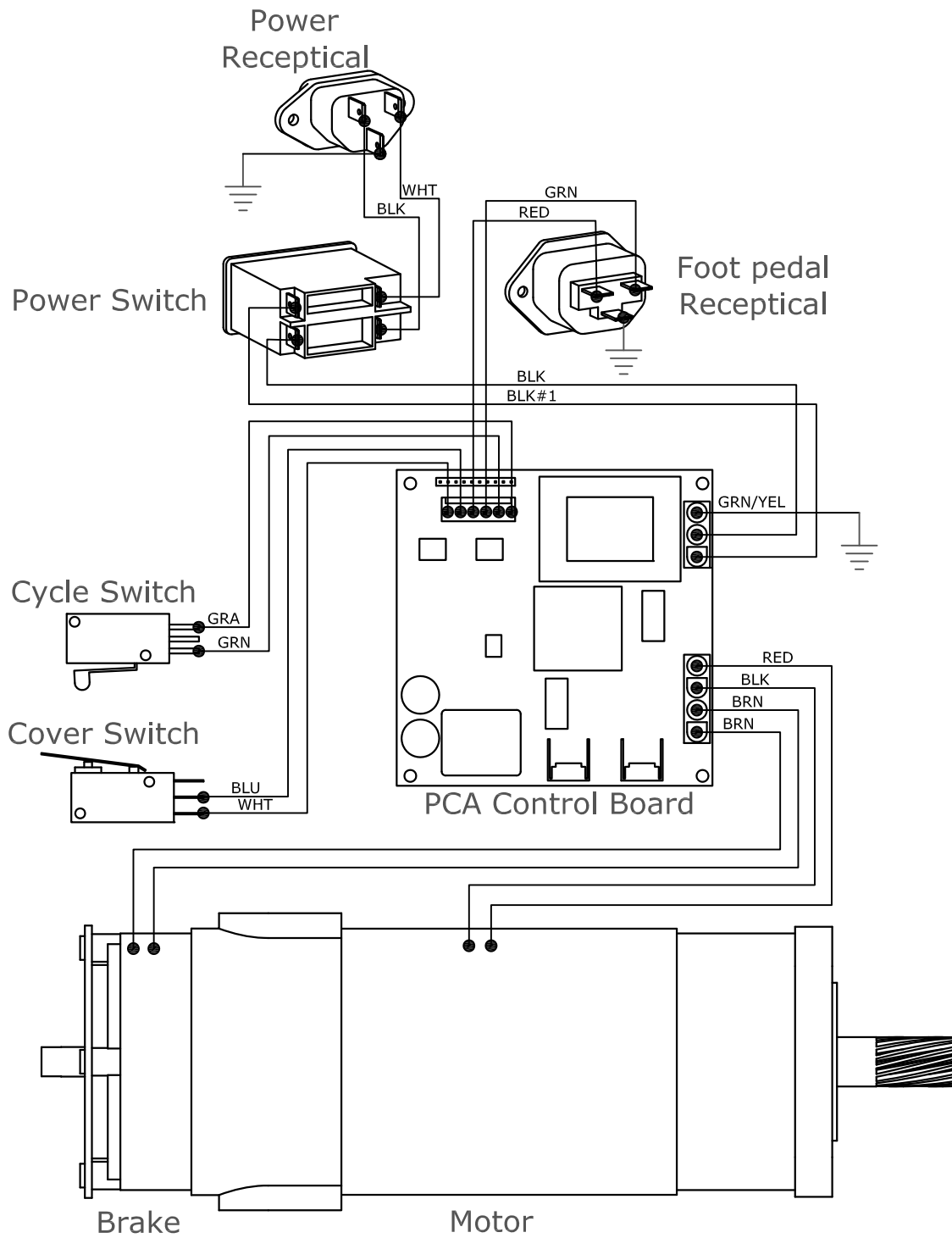
2350 E. Braniff, Boise, Idaho 83716 / 208-384-8551 / [www.RHIN-O-TUFF.com](http://www.RHIN-O-TUFF.com)



# OD-4012 PARTS BOOK

Page 8

- UL Wiring Diagram -



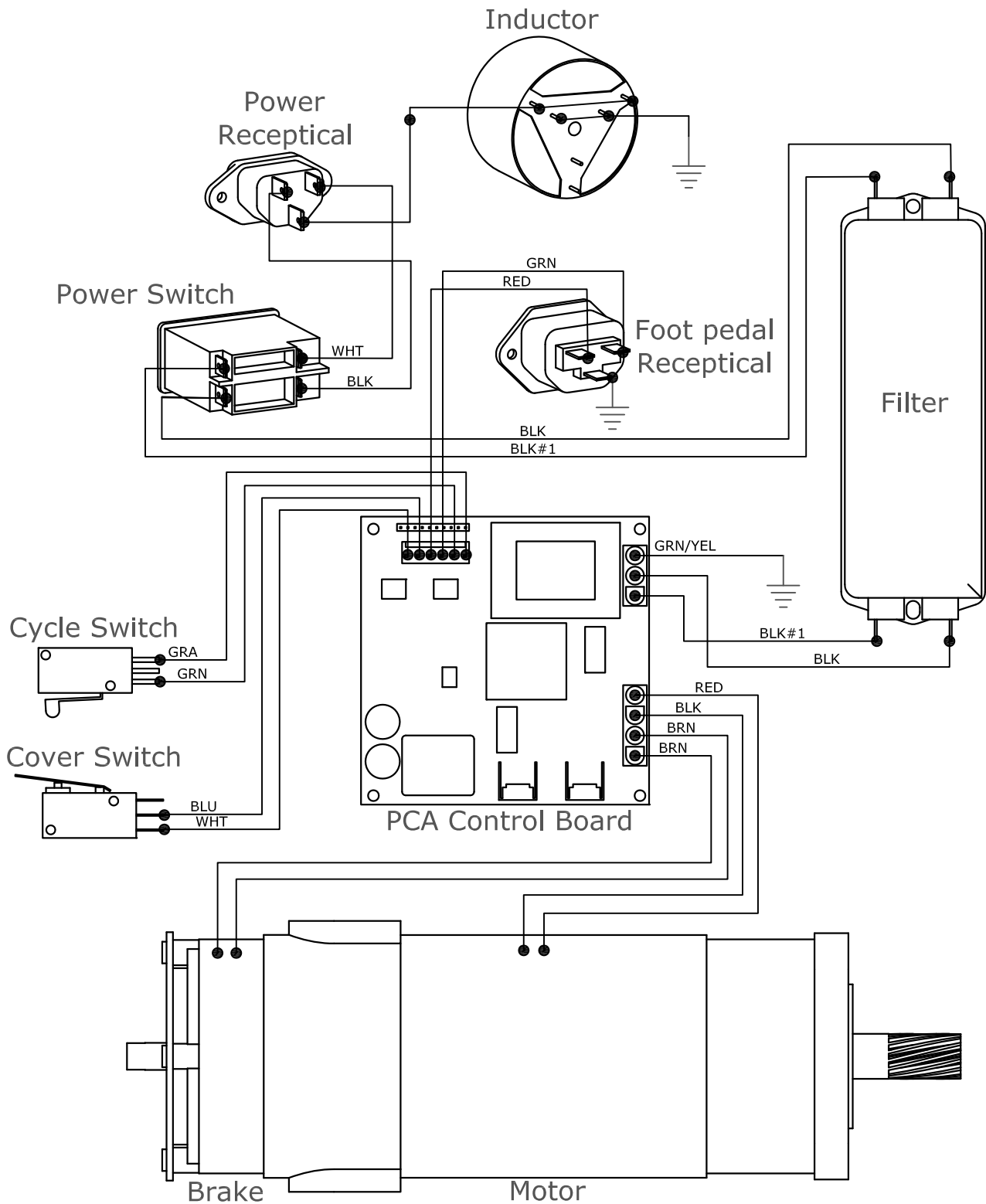
Performance Design, LLC

2350 E. Braniff, Boise, Idaho 83716 / 208-384-8551 / [www.RHIN-O-TUFF.com](http://www.RHIN-O-TUFF.com)

# OD-4012 PARTS BOOK

Page 9

- CE Wiring Diagram -



Performance Design, LLC

2350 E. Braniff, Boise, Idaho 83716 / 208-384-8551 / [www.RHIN-O-TUFF.com](http://www.RHIN-O-TUFF.com)