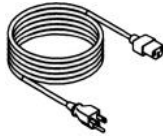


4000 Parts Book

Page 1
Introductory Page

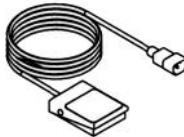
Upon unpacking their new OD 4000 punch, they should have the following items included:

Cord, Power 18 Ga



PDi Part # 007090

Assembly, Foot Pedal CE/UL



PDi Part # 007031

Oil, 3 in 1



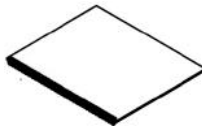
PDi Part # 001085

Brush, Acid, 1/2"



PDi Part # 001086

Book, Instruction 4000/3500/4800



PDi Part # 001172

Kit, Knob 4000



PDi Part # 004050

This book is intended for Rhin-0-Tuff dealers.



Performance Design Inc.

4000 Parts Book

Page 2

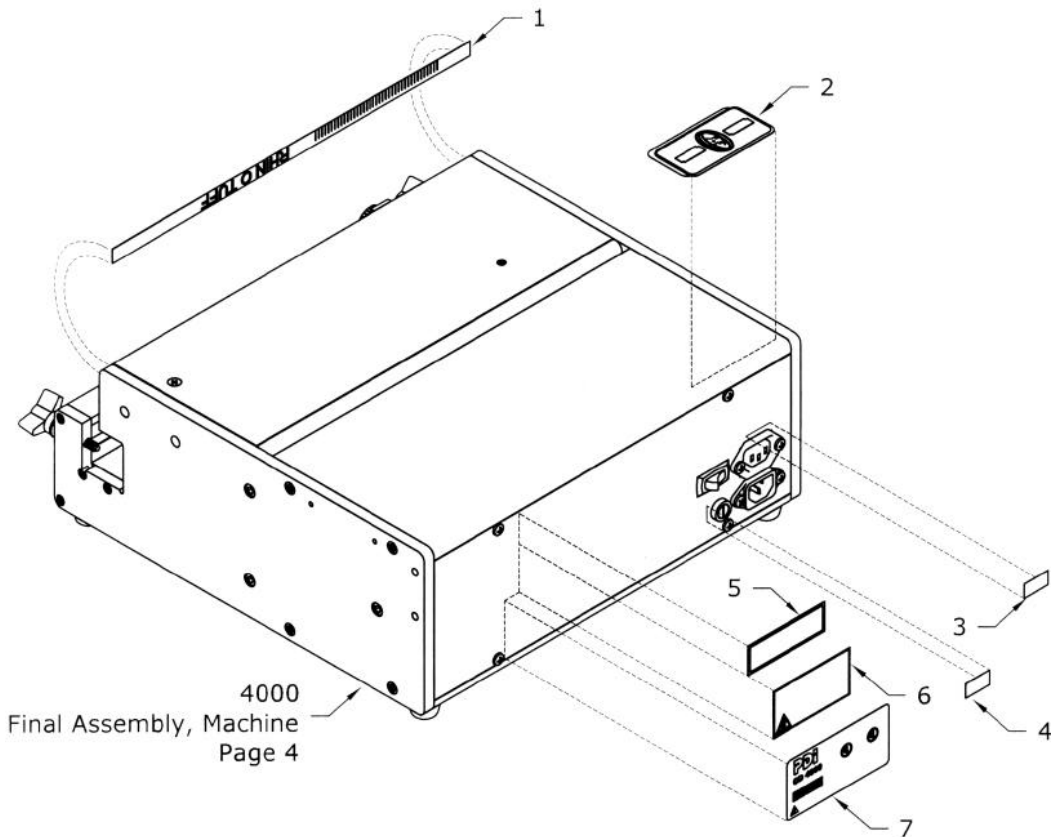
Table Of Contents

Introductory Page	1
Table Of Contents	2
4000 Final Assembly, Labels and Index	3
4000 Final Assembly, Machine	4
4000 Final Assembly, Index	5
Assembly, Motor OD 4000	6
Assembly, Motor OD 4000 and Index	7
Assembly, Back Panel 4000 and Index	8
Assembly, Bottom Panel 4000 and Index	9
4000 Accessories	10
4000 Schematic - UL	11
4000 Schematic - Pre UL	12

4000 Parts Book

Page 3

- 4000 Final Assembly, Labels -

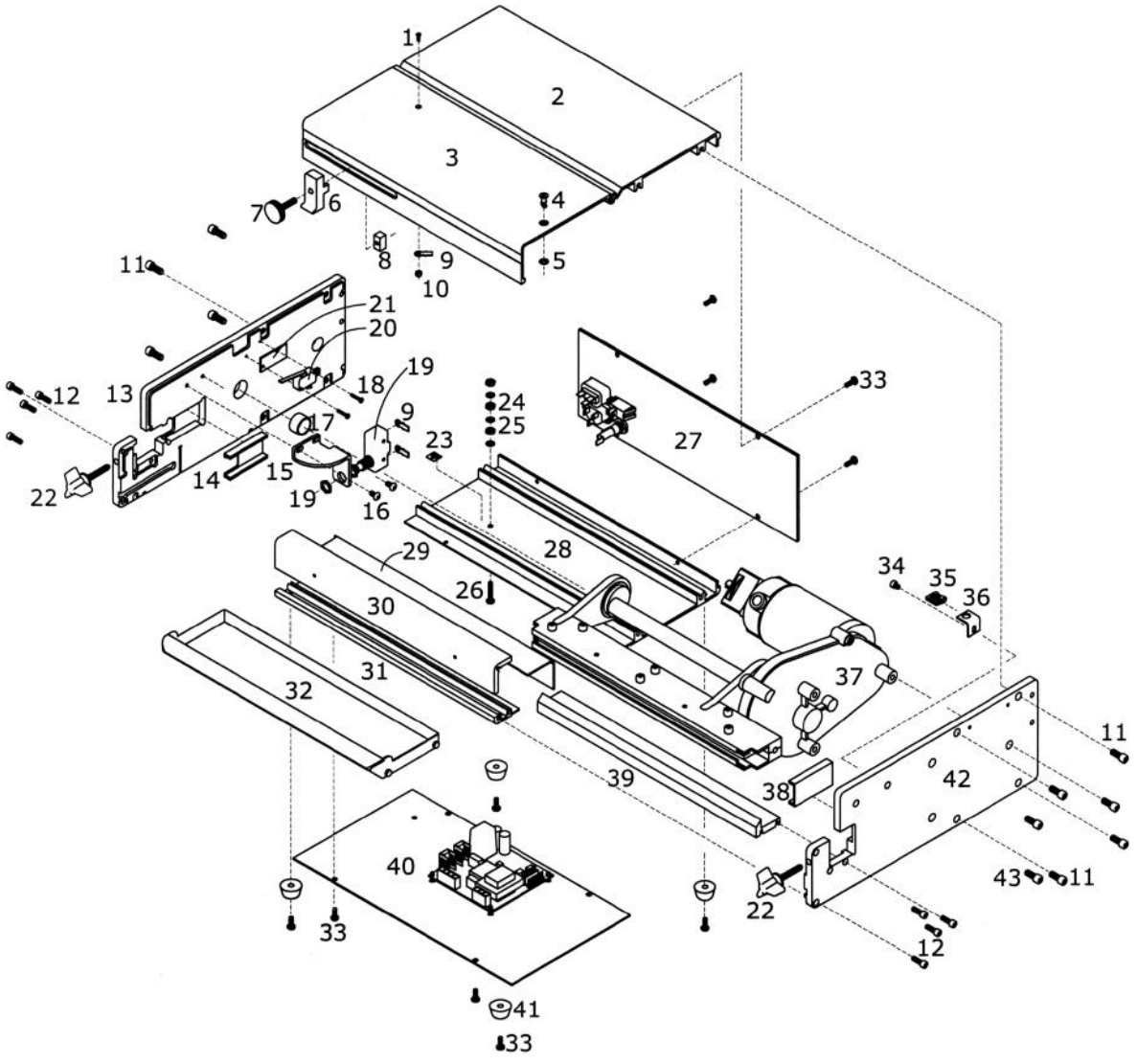


<u>Item #</u>	<u>PDi P/N</u>	<u>Qty</u>	<u>Description</u>
1	040270	1 ea	Decal, Rhin-0-Tuff OD4000
2	001125	1 ea	Decal, Rhin-0-Tuff
3	001155	1 ea	Decal, Receptacle
4	001145	1 ea	Decal, Fuse 5.OA 250V MDL
5	001146	1 ea	Decal, Caution Fuse
6	001188	1 ea	Decal, Caution Electrical Panel
7	001136	1 ea	Decal, Serial Label 4000

4000 Parts Book

Page 4

- 4000 Final Assembly, Machine -



4000 Parts Book

Page 5

- 4000 Final Assembly, Machine -
Index

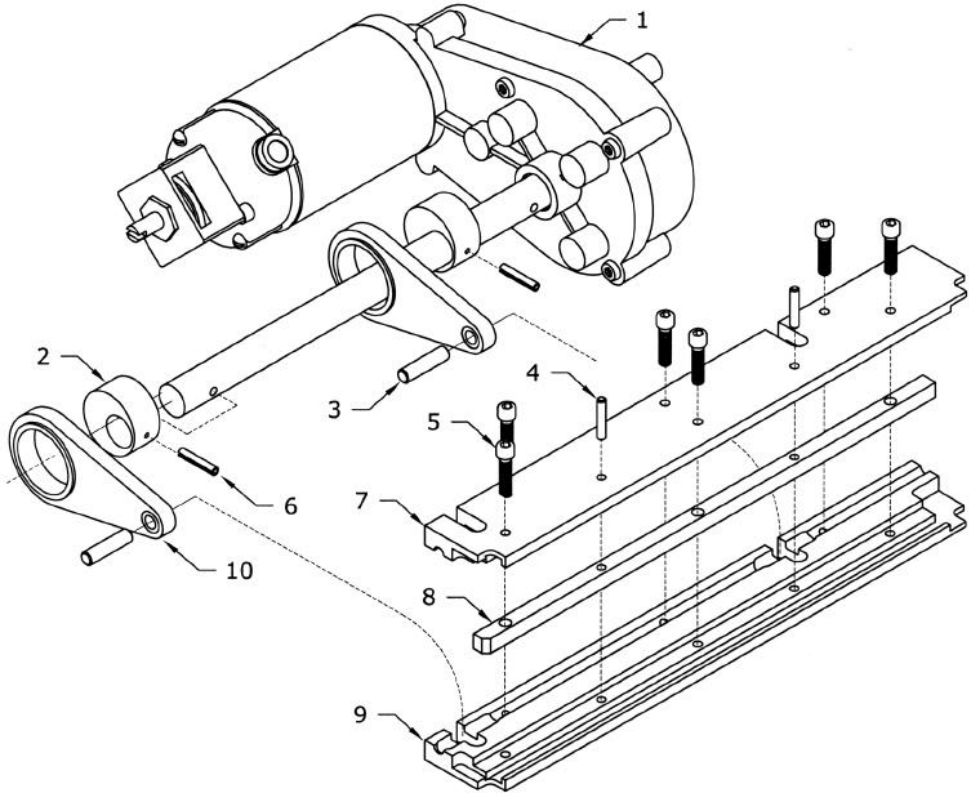
<u>Item #</u>	<u>PDi PIN</u>	<u>Qty</u>	<u>Description</u>	<u>Notes</u>
1	002370	1 ea	FHMS, 4-40 X 3/8	
2	040090	1 ea	Plate, Top	
3	040040	1 ea	Cover, Front	
4	001157	1 ea	Screw, Lock Safety Fastener	
5	001158	1 ea	Keeper, Safety Fastener	
6	071930	1 ea	Stop, Paper 7000/6500 Scribe	
7	001134	1 ea	Knob, Studded 1/4-20 X 1	
8	052510	1 ea	Versaswitch Nut	
9	007930	3 ea	Adapter, Ring To 1/4" Spade	
10	004050	1 ea	Nut, 4-40 Nylock	
11	002450	8 ea	SHCS, Taptite 1/4-20 X 5/8 T30 - TORX 11 Per IFI	
12	002440	8 ea	SH STL Taptite 10-24 X 5/8 T27 - TORX Per IFI	
13	040730	1 ea	Sideplate, Left 4000CE/4800	
14	040140	1 ea	Bushing, Delrin Pushbar Left	
15	040700	1 ea	Bracket, Stop Switch 4000	
16	002350	2 ea	BHSHCS, 10-24 X 3/8	
17	040470	1 ea	Bushing, Oillite 3/4id X 7/8od X 1/2 Wide	
18	002480	2 ea	PPHMS, 4-40 X 5/8	
19	007830	1 ea	Switch, One Cycle WP700/PMPXa	
20	007960	1 ea	Switch, Versaswitch I I	
21	001151	1 ea	Insulator, Switch	
22	004050	1 ea	Kit, Knob 4000	
	001212	2 ea	Knob, 1/4-20 X 1.1/2 Three Arm	
23	001203	1 ea	Decal, Ground Universal	
24	004160	3 ea	Nut, 10-32 Finish	
25	003190	3 ea	Washer, Star #10	
26	005410	1 ea	PPHMS, 10-32 X 1	
27	040770	1 ea	Assy, Back Panel 4000	Page a
28	040170	1 ea	Plate, Bottom	
29	040310	1 ea	Guard, Chip Drawer	
30	040050	1 ea	Front, Top	
31	040030	1 ea	Front, Bottom	
32	001223	1 ea	Drawer, Vacuum Formed W/Holes	
33	002060	12 ea	PPHMS, 10-32 X 1/2 Type F Self Tapper	
34	005180	1 ea	SHCS, 10-24 X 1/4	
35	001159	1 ea	Receptacle, Safety Fastener	
36	040760	1 ea	Bracket, Stop Switch Blackened	
37	040490	1 ea	Assy, Motor OD 4000	Page 6, 7
38	040240	1 ea	Bushing, Pushbar Right	
39	040100	1 ea	Mount, Die	
40	040780	1 ea	Assy, Bottom Panel 4000	Page 9
41	001050	4 ea	Foot, Rubber Screw Mount	
42	040070	1 ea	Side, Plate Right	
43	005200	3 ea	SHCS, 114-20 X 5/8	

4000 Parts Book

Page 6

PDi P/N 040490

- Assembly, Motor OD 4000 -

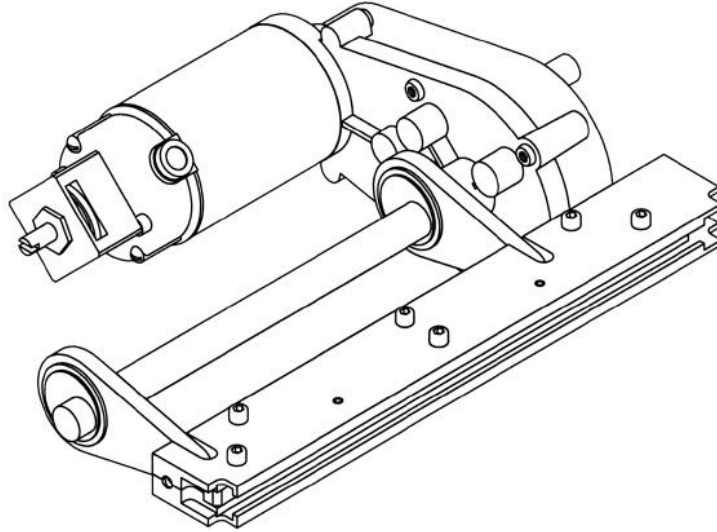


4000 Parts Book

Page 7

PDi P/N 040490

- Assembly, Motor OD 4000 -
Index



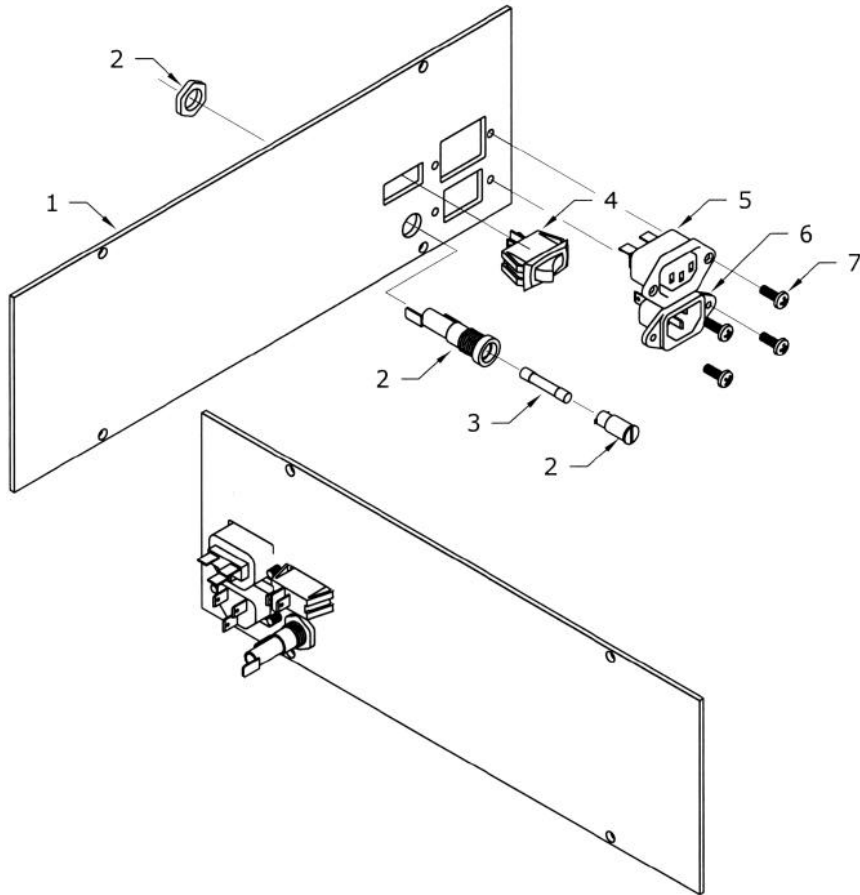
<u>Item #</u>	<u>PDi P/N</u>	<u>Qty</u>	<u>Description</u>	<u>Notes</u>
1	008000	1 ea	Motor, Von Weise DC-Fasco	
2	040110	2 ea	Cam, Connecting Rod	
3	001063	2 ea	Pin, Dowel 5/16 X 1-1/4	
4	005090	2 ea	Pin, Dowel 3/16 X 1	
5	005040	6 ea	SHCS, 1/4-20 X 1	
6	001095	2 ea	Pin, Roll 3/16 X 1	
7	048180	1 ea	Pushbar, Top Slide In Die	
8	048160	1 ea	Bar, Pin Backup 4000/4800	
9	048170	1 ea	Pushbar, Bottom 4800 Slide In Die	
10	040530	2 ea	(Sub) Assy, Connecting Rod 4000	
	040080	1 ea	Rod, Connecting	
	040460	1 ea	Bushing, Oillite 1.500id X 1.750od	
	040300	1 ea	Bushing, Oillite .314id X .500od	
11	007111	2 ea	Connector, Pin 14-20 Ga Molex (Motor)	Not Shown
12	007112	2 ea	Connector, Pin 18-24 Ga Molex (Break)	Not Shown

4000 Parts Book

Page 8

PDi P/N 040770

- Assembly, Back Panel 4000 -



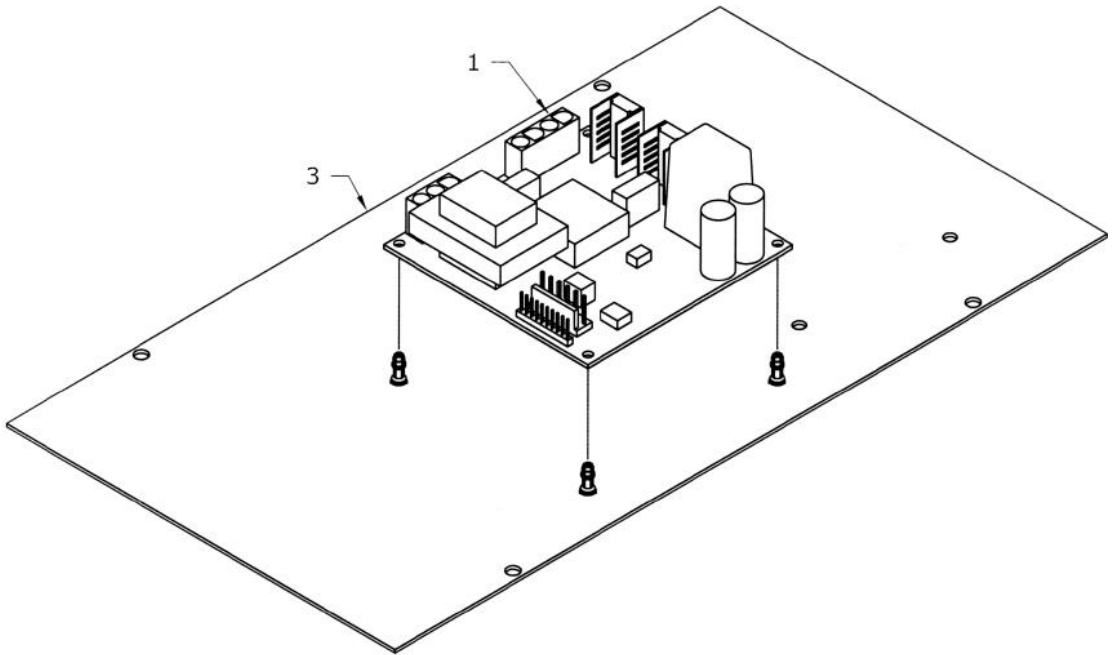
<u>Item #</u>	<u>PDi P/N</u>	<u>Qty</u>	<u>Description</u>
1	040710	1 ea	Panel, Electrical UL 4000
2	007000	1 ea	Fuse, Holder
3	007029	1 ea	Fuse, MDL 5
4	007060	1 ea	Switch, On-Off
5	007040	1 ea	Receptacle, Cord Foot Pedal
6	007050	1 ea	Receptacle, Cord Power
7	002060	4 ea	PPHMS, 10-32 X 1/2 Type F Self Tapper

4000 Parts Book

Page 9

PDi P/N 040780

- Assembly, Bottom Panel 4000 -



<u>Item #</u>	<u>PDi P/N</u>	<u>Qty</u>	<u>Description</u>	<u>Notes</u>
1	040970	1 ea	PCA, Control Board UL	
	040980	1 ea	PCA, Control Board CE	
2	040190	1 ea	Assy, Wire Harness 4000 UL	
3	040690	1 ea	Panel, Bottom Wi PC Board Mts	Page 11

4000 Parts Book

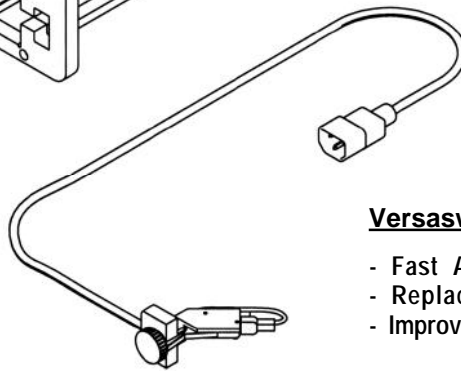
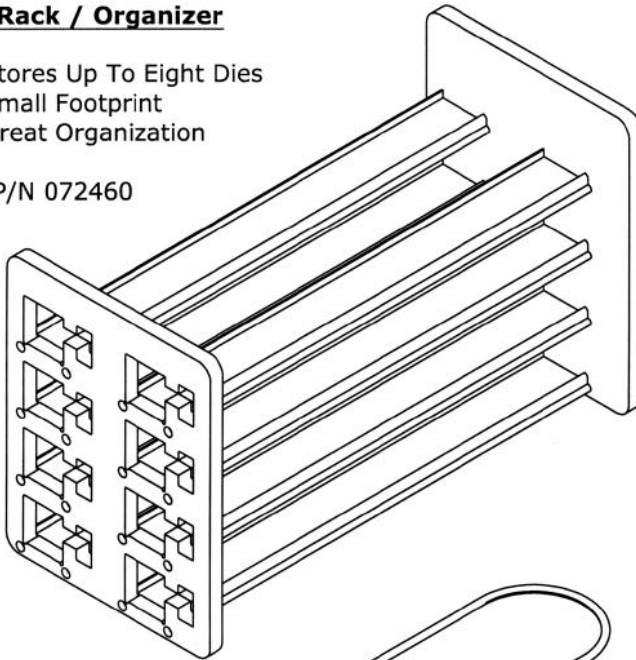
Page 10

- 4000 Accessories -

Die Rack / Organizer

- Stores Up To Eight Dies
- Small Footprint
- Great Organization

PDi P/N 072460



Versaswitch II

- Fast Accurate Operation
- Replaces Foot Pedal
- Improves Throughput

UL - PDi P/N 072180

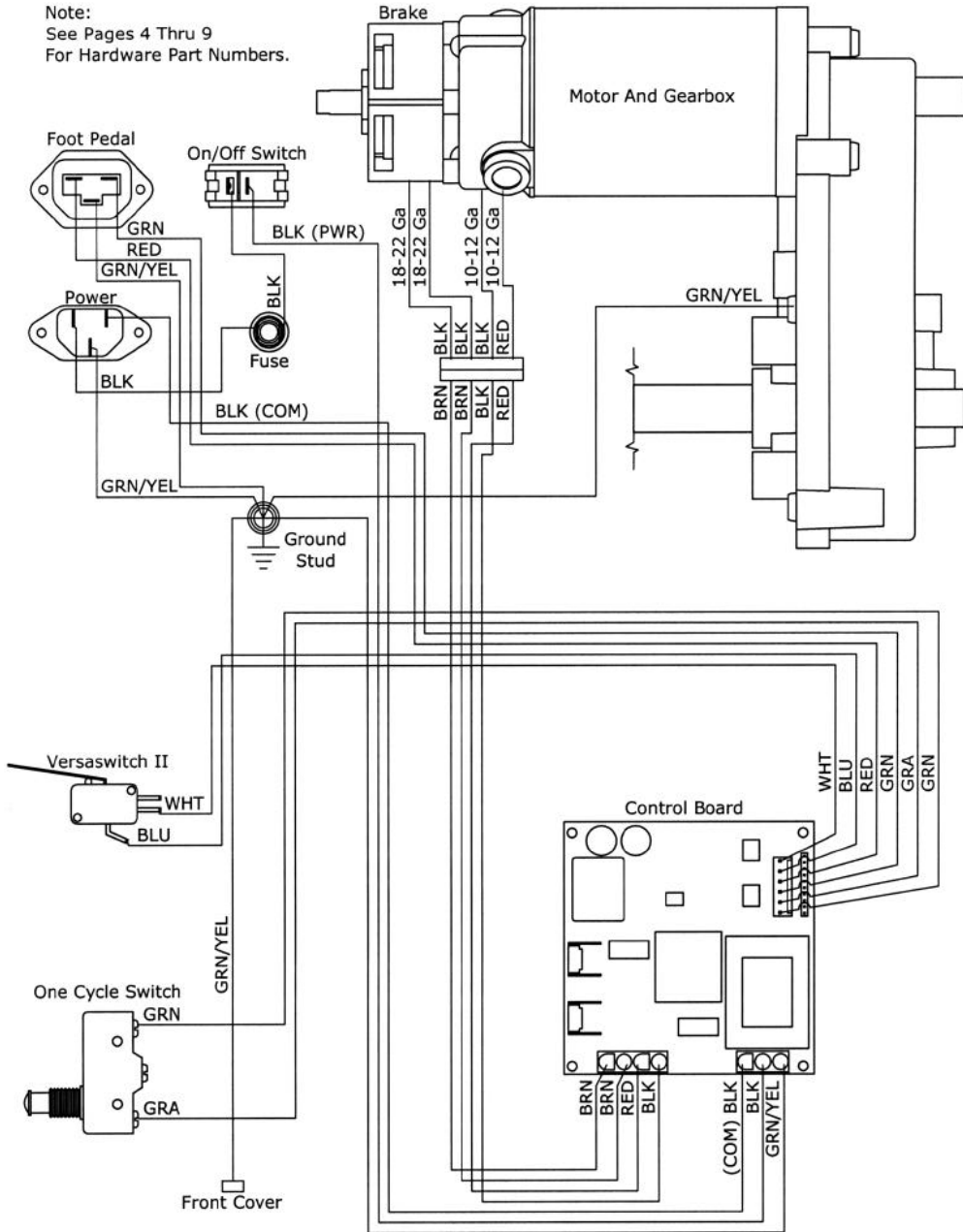
non UL - PDi P/N 071670

4000 Parts Book

Page 11

PDi P/N 040190 (Assy, Wire Harness)
- 4000 Schematic UL -

Note:
See Pages 4 Thru 9
For Hardware Part Numbers.



4000 Parts Book

Page 12

- 4000 Schematic Pre UL -

