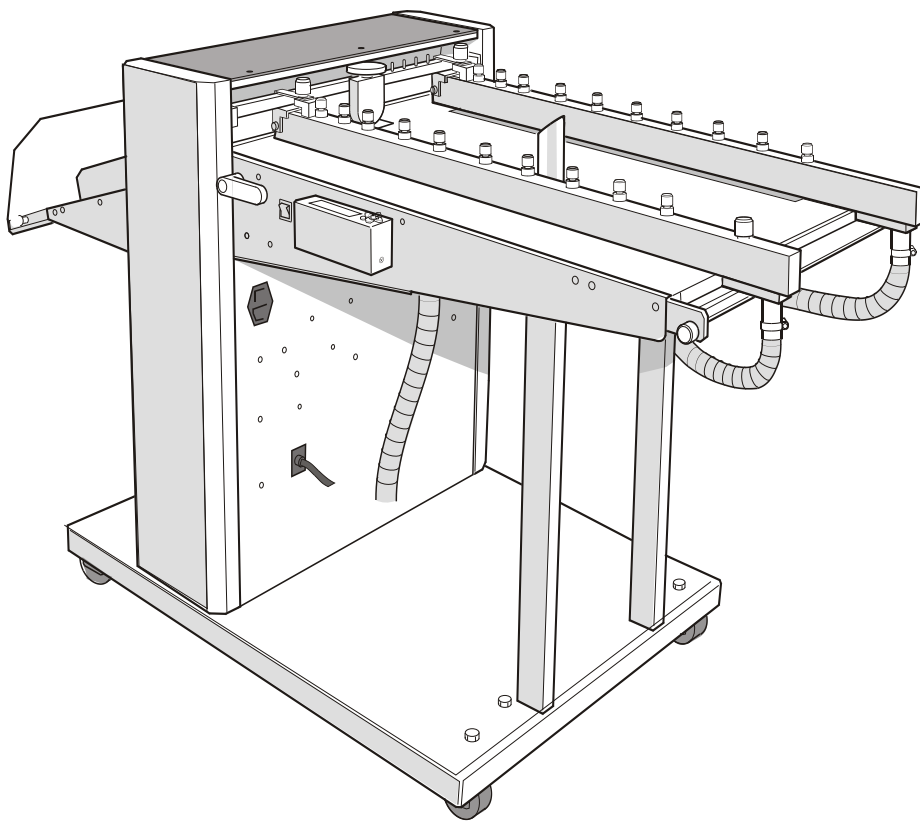


Auto50 Creasing machine

Parts Lists and Drawings



KAS

KAS Paper Systems Limited
Brewers Hill Road
Dunstable
Bedfordshire LU6 1AD
England

44 (0) 1582 662211
44 (0) 1582 664222

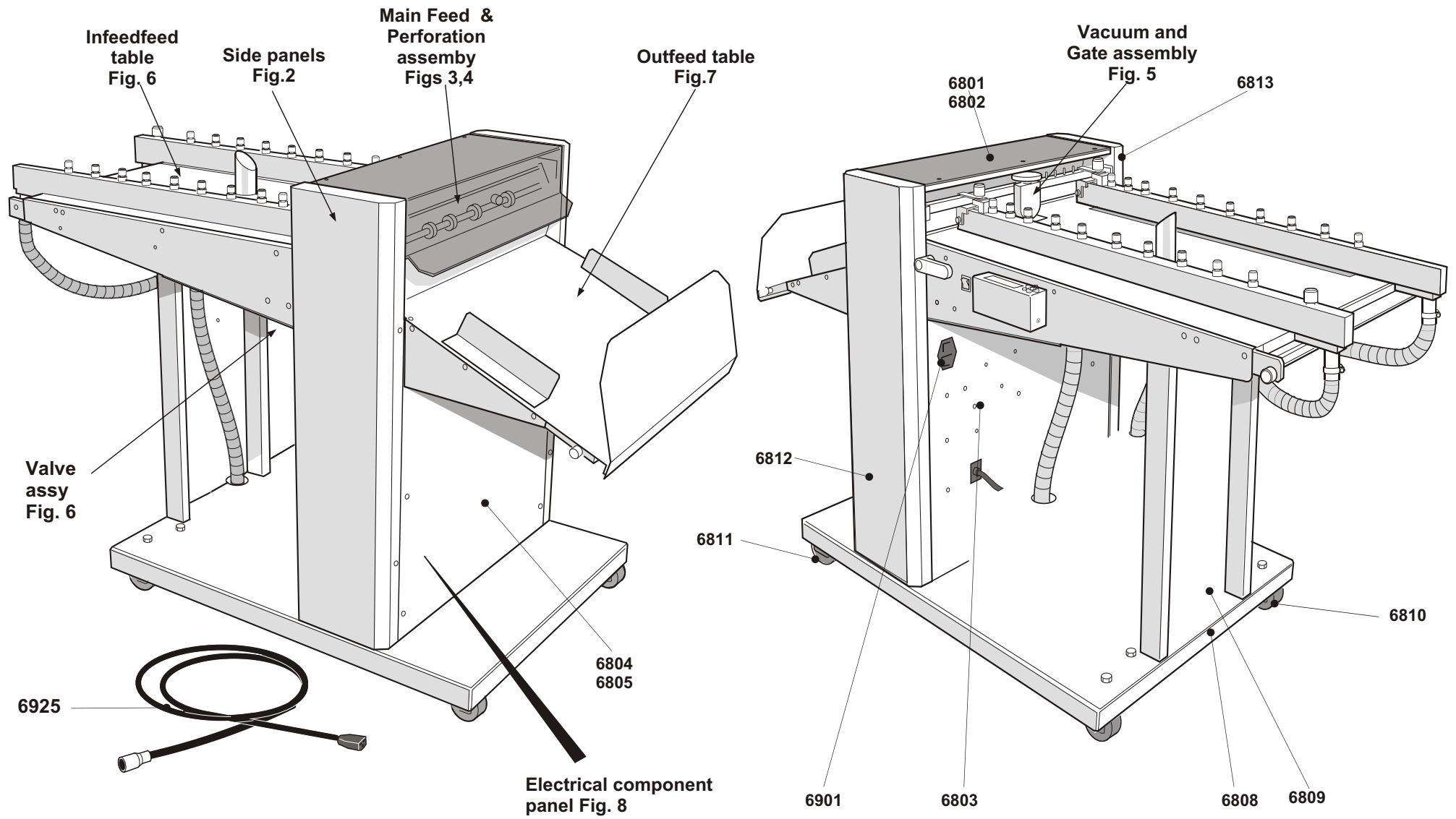


Fig1 GA of Creasematic Auto50

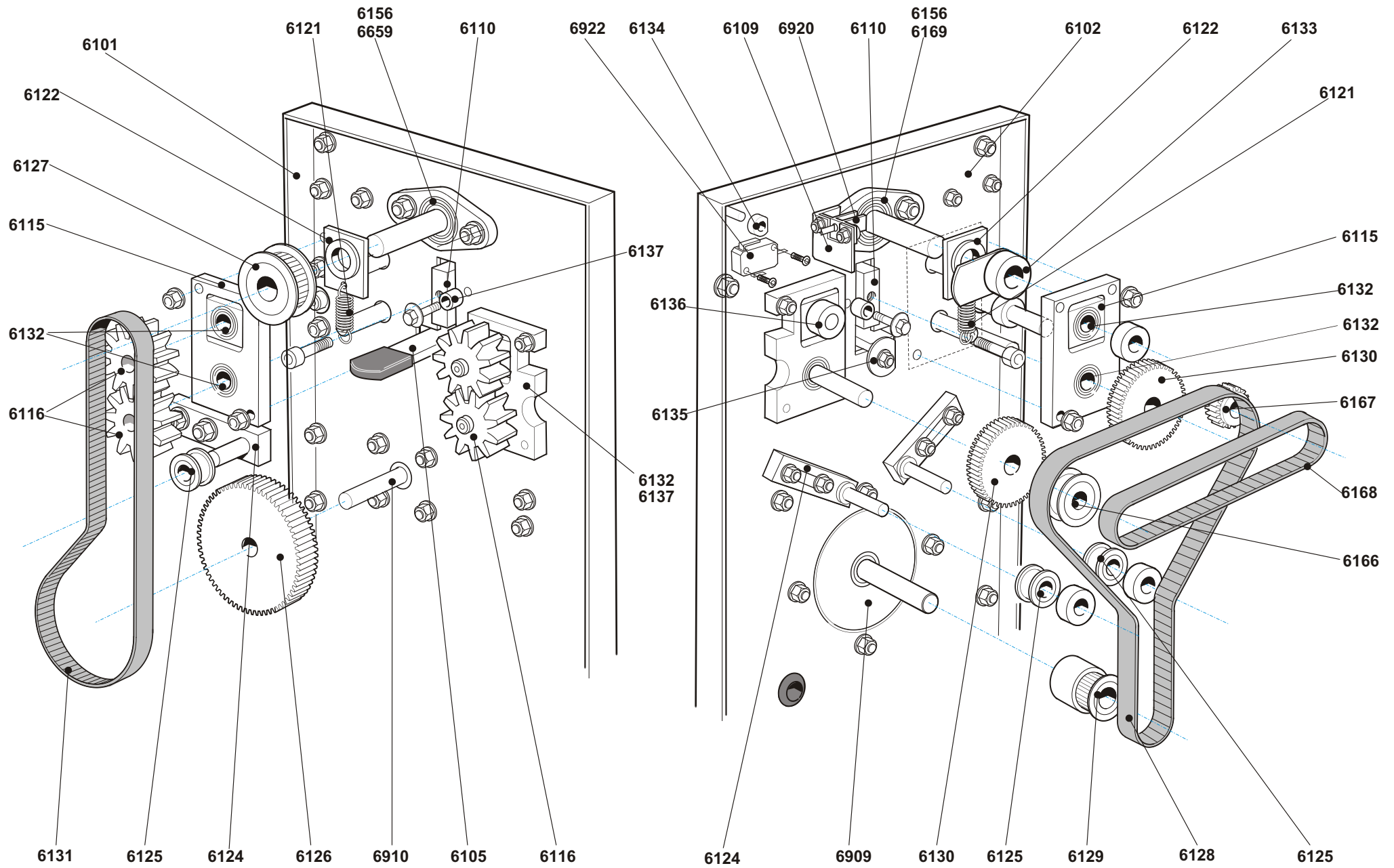


Fig 2 auto50 Drive and Knife side panel assy

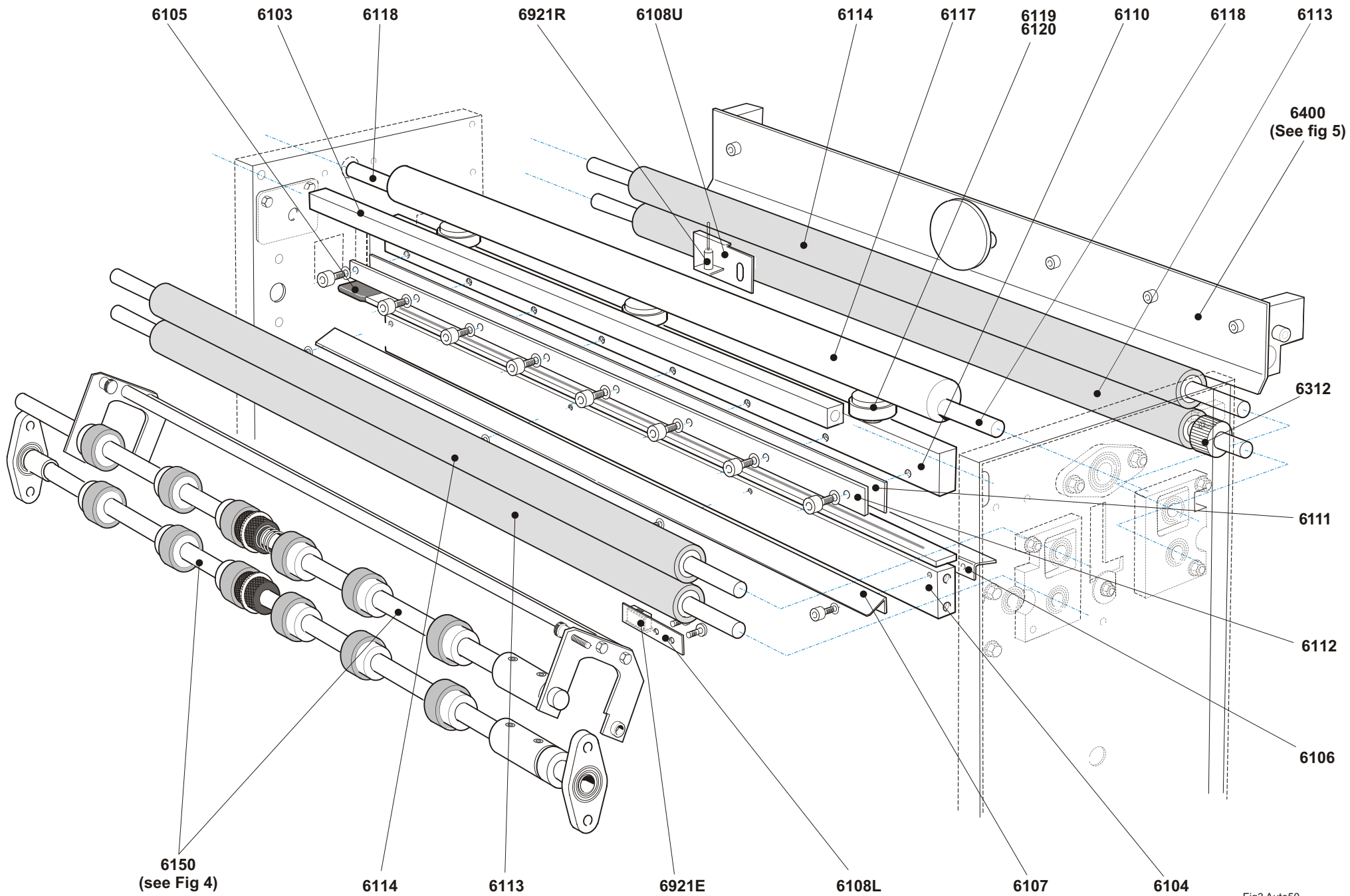


Fig.3 Main feed Assembly Creasematic Auto50

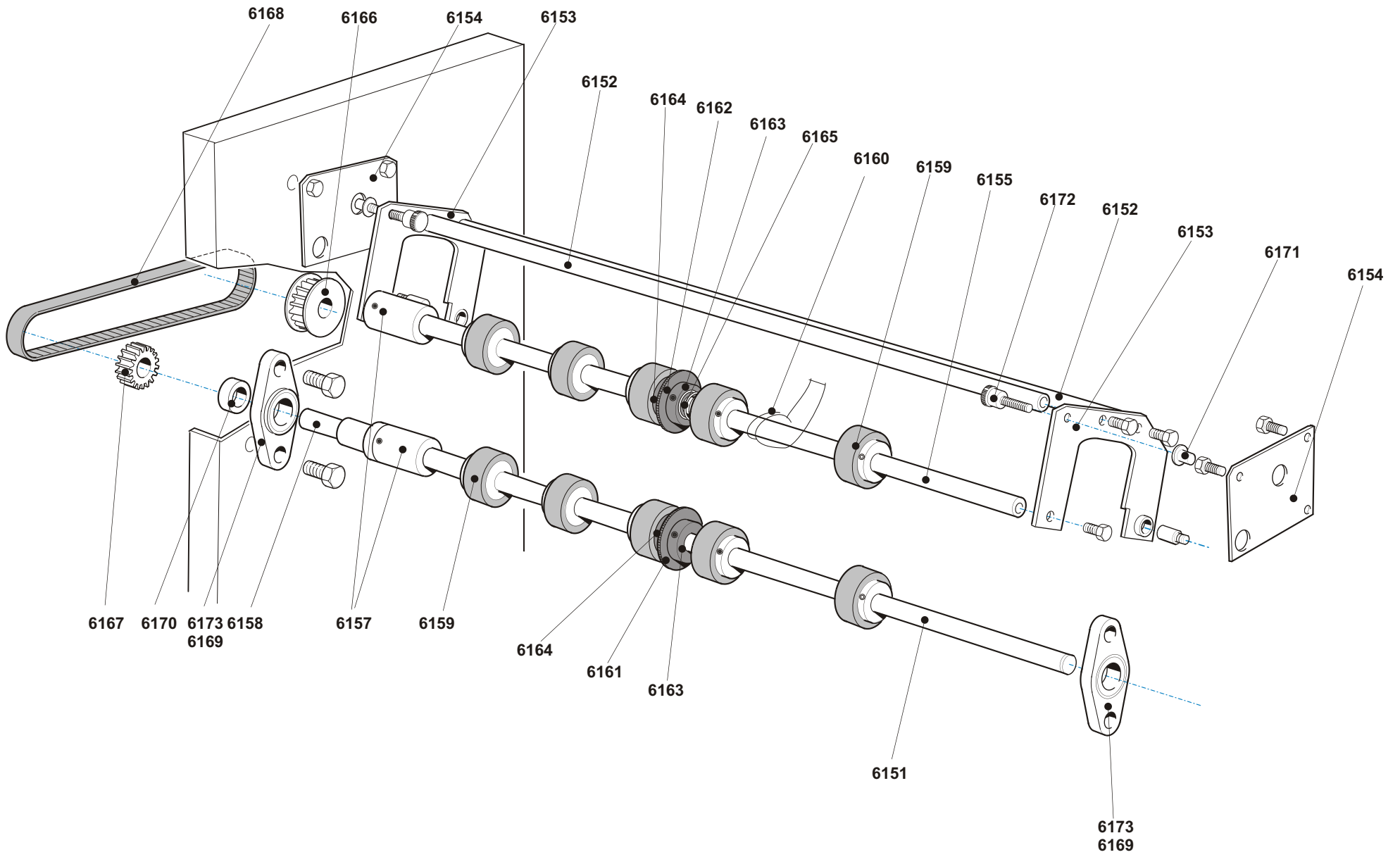


Fig 4 PERFORATION ASSY AUTO50

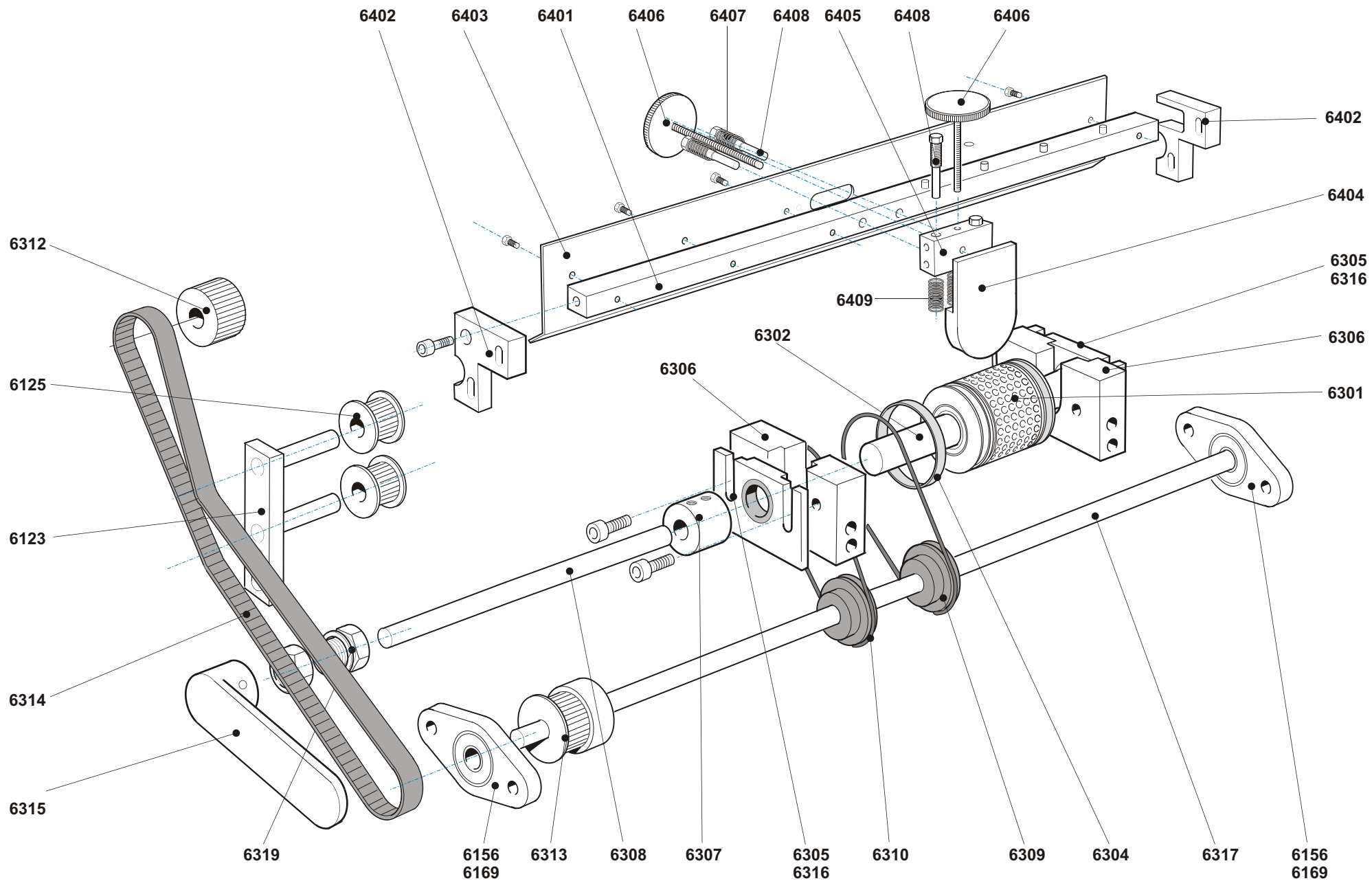


Fig 5 Vacuum and gate assy

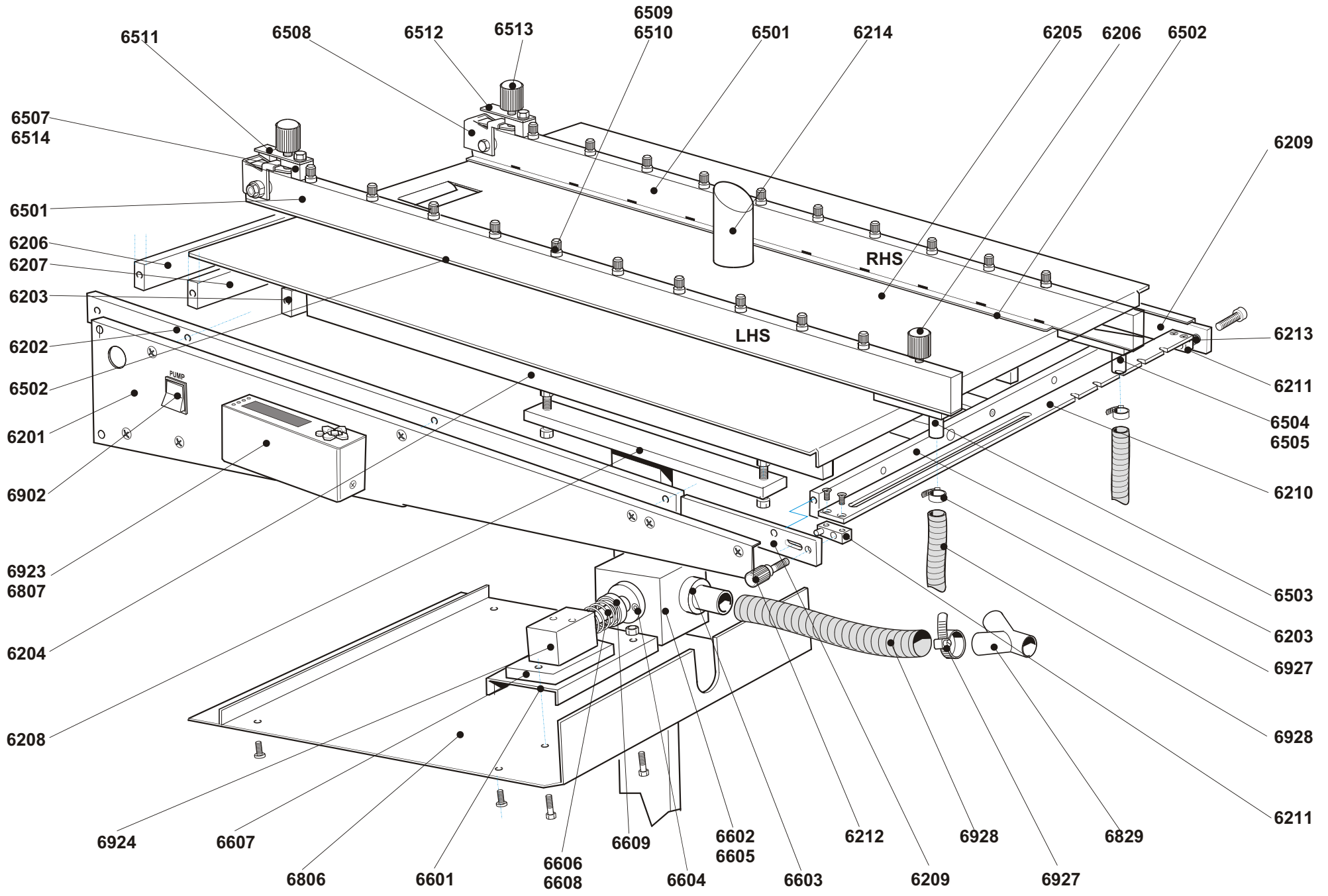


Fig 6 INFEED TABLE

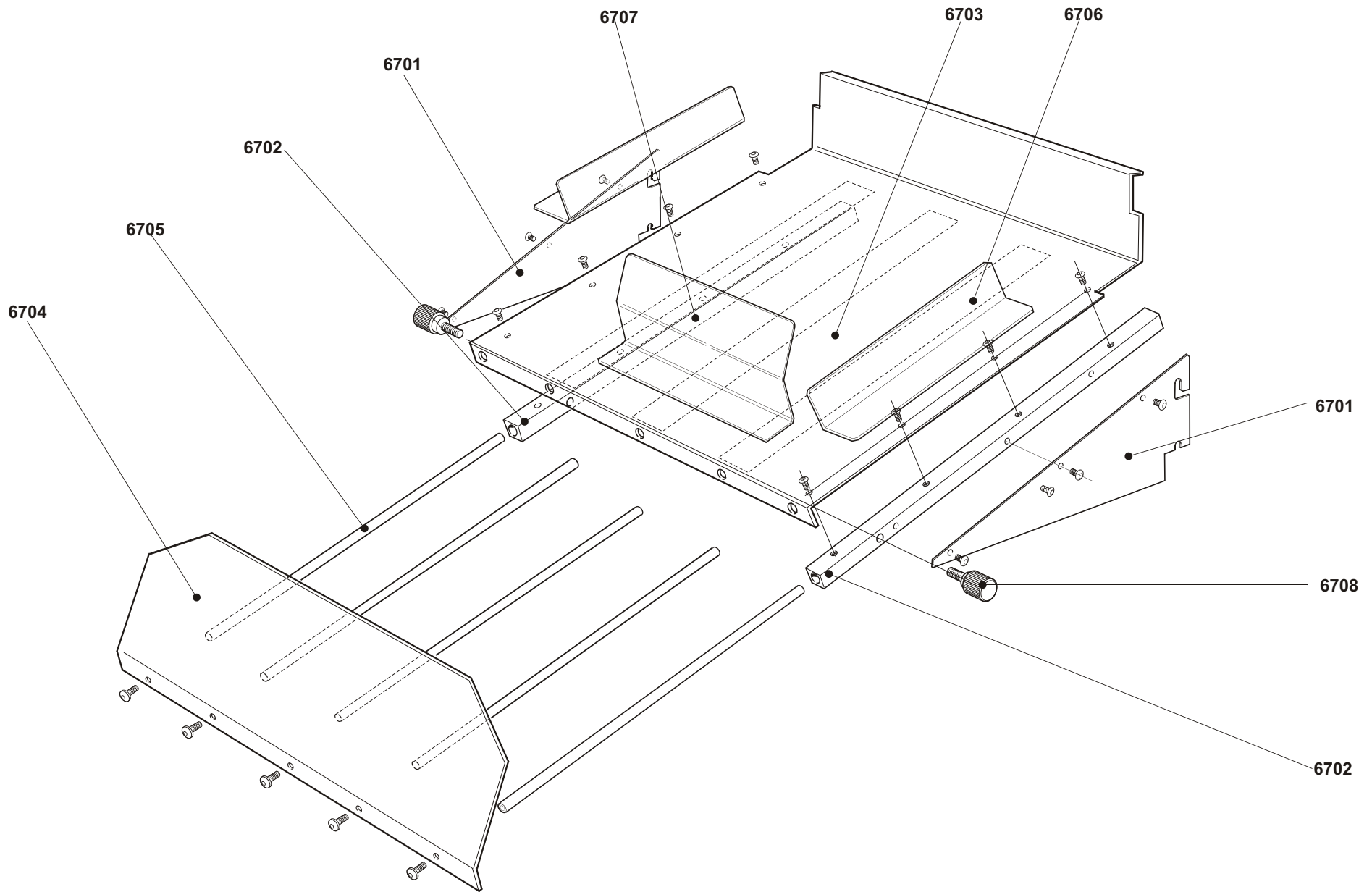


FIG 7 OUTFEED TRAY

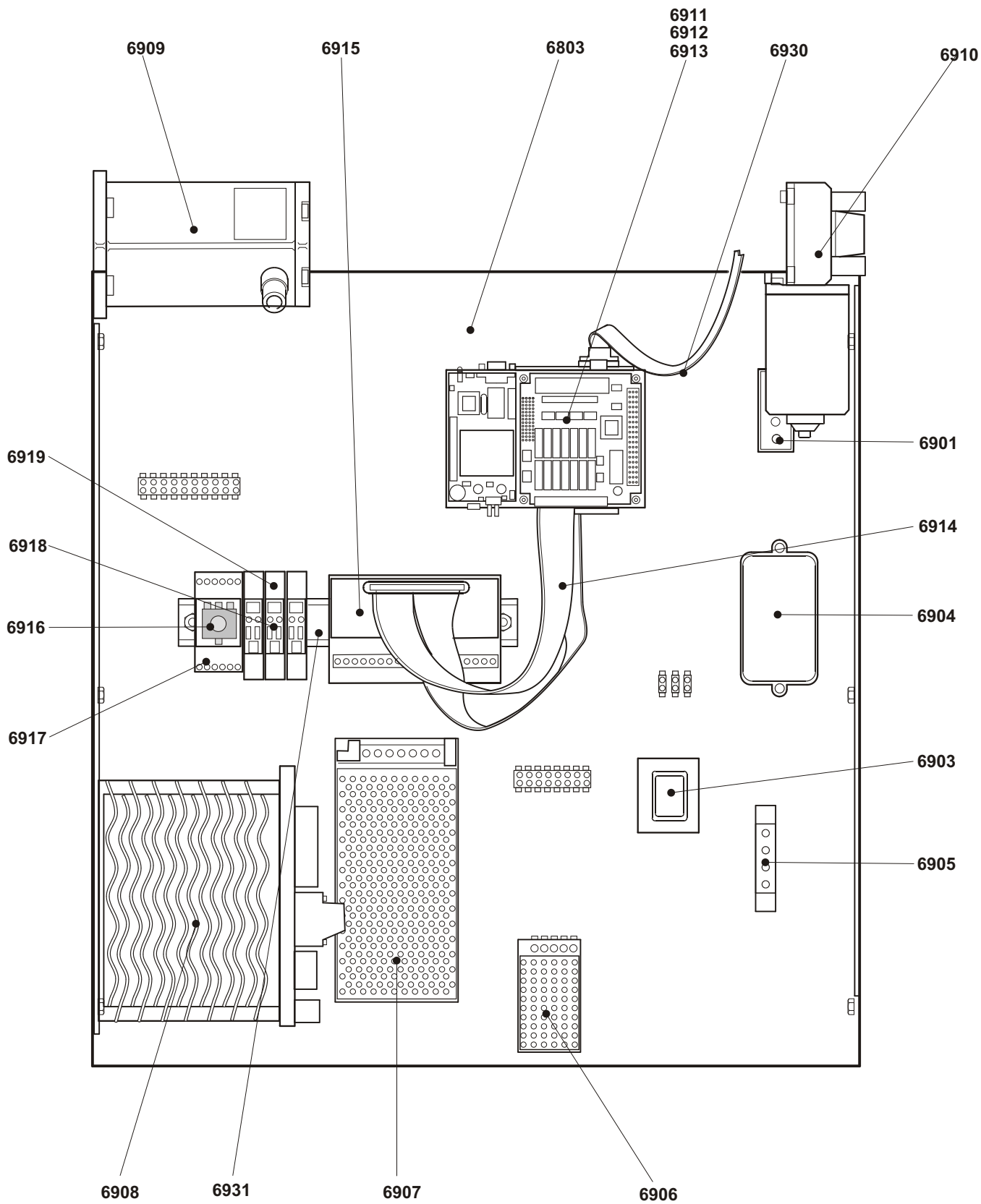


Fig.8 AUTO50 ELECTRICAL COMPONENT PANEL

Part No	Part	Quantity	
6100	MAIN ASSEMBLY		
6101	side panel drive side	1	
6102	side panel knife side	1	
6103	tie bar	1	
6104	crease tool holder	1	
6105	crease tool	1	
6106	infeed guide	1	
6107	outfeed guide	1	
6108	paper photo bracket	1	
6109	knife photo bracket	1	
6110	knife holder	1	
6111	knife	1	
6112	knife clamp	1	
6113	feed roll lower	2	
6114	feed roll upper	2	
6115	drive bearing	4	
6116	acetal gears	4	
6117	knife driver	1	
6118	stub shafts	2	
6119	disk holder	3	
6120	friction disk	3	
6121	return springs	2	
6122	link	2	
6123	idle block double	1	
6124	idle blocks	3	
6125	idle pulleys	5	
6126	knife drive 63T	1	
6127	knife driven 16T	1	
6128	240 XL 037	1	
6129	drive drive 16T	1	
6130	drive driven 32T	2	
6131	180 XL 037	1	
6132	ball race ID3/8"	8	
6133	knife flag	1	
6134	cover switch cam	1	
6135	tool stop washer	1	
6136	collar 3/8"	4	
6137			
6138			
6139			
6140			

Part No	Part	Quantity	
6150	PERF. ASSEMBLY		
6151	anvil shaft	1	
6152	tie shaft	2	
6153	bracket	2	
6154	location plate	2	
6155	knife shaft	1	
6156	bearing holder ID1/2"	4	
6157	knife shaft coupling	2	
6158	stub shaft	1	
6159	control wheels	10	
6160	finger guard	1	
6161	blade	1	
6162	perforator	1	
6163	tool holder	2	
6164	tool nut	2	
6165	spring	1	
6166	perf drive 18T	1	
6167	perf driven 16T	1	
6168	130 XL 037	1	
6169	ball race ID1/2"	6	
6170	collar 1/2"	1	
6171	locating pin	2	
6172	locating pin head	2	
6173	bearing holder 1/2"	2	
6174			
6175			
6176			
6177			
6178			
6179			

Part No	Part	Quantity	
6200	INFEED TABLE ASSEMBLY		
6201	side plates	2	
6202	side bars	2	
6203	cross bars	2	
6204	support bar	3	
6205	top plate	1	
6206	front tie bar	1	
6207	tie bar	1	
6208	leg	2	
6209	extension arms	2	
6210	skew adjust bar	1	
6211	skew adjust block	2	
6212	thumb screw	1	
6213	spring	1	
6214	back stop	1	
6215			
6216			
6217			
6218			
6219			
6220			
6221			
6222			
6223			
6224			
6225			

Part No	Part	Quantity	
6300	VACUUM WHEEL ASSEMBLY		
6301	wheel	1	
6302	spindle	1	
6303	collar	0	
6304	band	2	
6305	bearing	1	
6306	bearing holder	1	
6307	coupling	1	
6308	shaft	1	
6309	drive wheels	2	
6310	drive bands	2	
6311	bearing	1	
6312	drive pulley 12T	1	
6313	driven pulley 16T	1	
6314	170 XL 037	1	
6315	hand wheel	1	
6316	PB bush	2	
6317	shaft	1	
6318			
6319			
6320			
6321			
6322			
6323			
6324			
6325			
6326			

Part No	Part	Quantity	
6400	GATE ASSEMBLY		
6401	gate bar	1	
6402	retaining blocks	2	
6403	infeed guard	1	
6404	gate front block	1	
6405	gate back block	1	
6406	hand wheel	2	
6407	spring	2	
6408	location pin	4	
6409	spring	2	
6410			
6411			
6412			
6413			
6414			
6415			

Part No	Part	Quantity	
6500	SIDE LAY ASSEMBLY		
6501	side lay	2	
6502	bottom plate	2	
6503	air infeed block LHS	1	
6504	air infeed block RHS	1	
6505	rear nut block	2	
6506	thumbscrew	1	
6507	front clamp block	2	
6508	front clamp plate	2	
6509	threaded inserts	16	
6510	air adjusters	16	
6511	locating plate LHS	1	
6512	locating plate RHS	1	
6513	thumbscrew	2	
6514	front nut block	2	
6515			
6516			
6517			

Part No	Part	Quantity	
6600	VALVE ASSEMBLY		
6601	mounting plate	1	
6602	main body	1	
6603	nozzles	2	
6604	nozzle	1	
6605	slider	1	
6606	link arm	1	
6607	solenoid mount block	1	
6608	spring	1	
6609	pressure adjust plate	1	
6610			
6611			
6612			
6613			
6614			
6615			

Part No	Part	Quantity	
6700	OUTFEED TABLE ASSEMBLY		
6701	side plates	2	
6702	side bars	2	
6703	top plate	1	
6704	back stop	1	
6705	back stop rod	5	
6706			
6707			
6708			
6709			
6710			
6711			
6712			

Part No	Part	Quantity	
6800	COVERS		
6801	safety cover perspex	1	
6802	cover bar	1	
6803	wiring panel	1	
6804	electric cover	1	
6805	cover bracket	2	
6806	valve cover	1	
6807	display box	1	
6808	base	1	
6809	base top plate	1	
6810	castor	1	
6811	wheel	1	
6812	near side cover	1	
6813	far side cover	1	
6814			
6815			
6816			
6817			
6818			

Part No	Part	Quantity	
6900	ELECTRICAL PARTS		
6901	inlet switch	1	
6902	compressor switch	1	
6903	output socket	1	
6904	filter	1	
6905	connection block	1	
6906	5volt power supply	1	
6907	24volt power supply	1	
6908	motor inverter	1	
6909	motor	1	
6910	knife motor	1	
6911	processor board	1	
6912	input board	1	
6913	output board	1	
6914	ribon connector	1	
6915	IDC connector	1	
6916	11 pin relay	1	
6917	relay base	1	
6918	8 pin relay	3	
6919	relay base	3	
6920	knife photocell	1	
6921	paper photocell	1	
6922	cover switch	1	
6923	display	1	
6924	valve solenoid	1	
6925	power lead	1	
6926	compressor	1	
6927	jubily clips	10	
6928	hose	3	
6929	Inverter (compressor)		
6930			
6931			
6932			
6933			
6934			
6935			
6936			
6937			
6938			
6939			
6940			
6941			
6942			
6943			
6944			
6945			
6946			
6947			
6948			
6949			
6950			