

7000 Parts Book

Page 1

Introductory Page

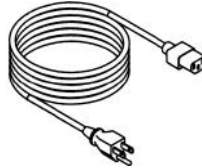
Each HD 7000 or WP 7000 package should contain the following items:

Tool, Reversing 7000/6500



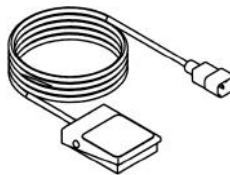
PDi Part # 001281

Cord, Power 18 Ga



PDi Part # 007090

Assembly, Foot Pedal CE/UL



PDi Part # 007031

Oil, 3 in 1



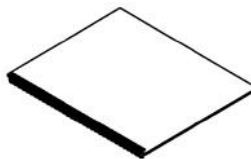
PDi Part # 001085

Brush, Acid, 1/2"



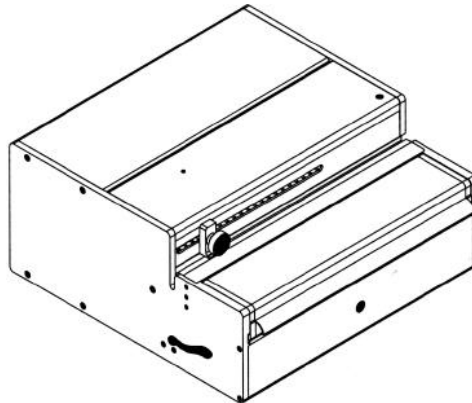
PDi Part # 001086

Book, Instruction 7000/6500



PDi Part # 001169

HD/WP 7000



PDi Part # 7000

This book is intended for Rhin-O-Tuff dealers.



Performance Design Inc.

7000 Parts Book

Page 2

Table Of Contents

Introductory Page	1
Table Of Contents	2
7000 Final Assembly, Machine	3
7000 Final Assembly, Machine Index & Labels Index	4
7000 Final Assembly, Gearbox To Side Plates and Index	5
Assembly, Left Side Plate 7000 and Index	6
Assembly, Right Side Plate 7000 and Index	7
Assembly, Gearbox, Connecting Rod & Pushbar 7000 and Index	8
Assembly, Gearbox & Connecting Rod 7000 and Index	9
Assembly, Gearbox 7000	10
Assembly, Gearbox 7000 Index	11
Assembly, Panel Electrical 7000	12
7000 Accessories	13
7000 Schematic - Non UL	14
7000 Schematic - UL	15
7000 Schematic - UL W/PCA Board	16
7000 Schematic - CE	17

7000 Parts Book

Page 4

- 7000 Final Assembly, Machine - Index

<u>Item</u>	<u>PDi P/N</u>	<u>Qty</u>	<u>Description</u>	<u>Notes</u>
1	002060	8	PPHMS, 10-32 X 1/2 Self Tap	
2	052510	1	Nut, Versaswitch	
3	001134	1	Knob, Studded 1/4-20 X 1	
4	002450	8	Taptite, 1/4-20 X 5/8	
5	001050	4	Foot, Rubber Screw Mount	
	002060	4	PPHMS, 10-32 X 1/2 Self Tap	Inside Item 5
6	070110	1	Cover, Bottom	
7	002060	8	PPHMS, 10-32 X 1/2 Self Tap	
8	001077	1	Plug, Hole 5/8"	
9	070040	1	Panel, Front	
10	071520	1	Assy, Drawer	
11	070270	1	Plate, Chip	
12	002440	4	Taptite, 10-24 X 5/8	
13	071930	1	Stop, Paper	
14	001158	1	Keeper, Safety Fastener	
15	001157	1	Screw, Lock Safety Fastener	
16	070020	1	Cover, Front	
17	070010	1	Plate, Top	
18	005200	8	SHCS, 1/4-20 X 5/8	
19	002370	1	FHMS, 4-40 X3/8	
20	004050	1	Nut, 4-40 Nyloc	
21	007930	1	Adapter, 3/16 Ring to 1/4" Spade	
22	072330	1	Assy, Panel Electrical 7000	Page 12
23	Page 5	1	7000 Final Assembly, Gearbox To Side Plates	
24	070130	1	Plate, Bottom	

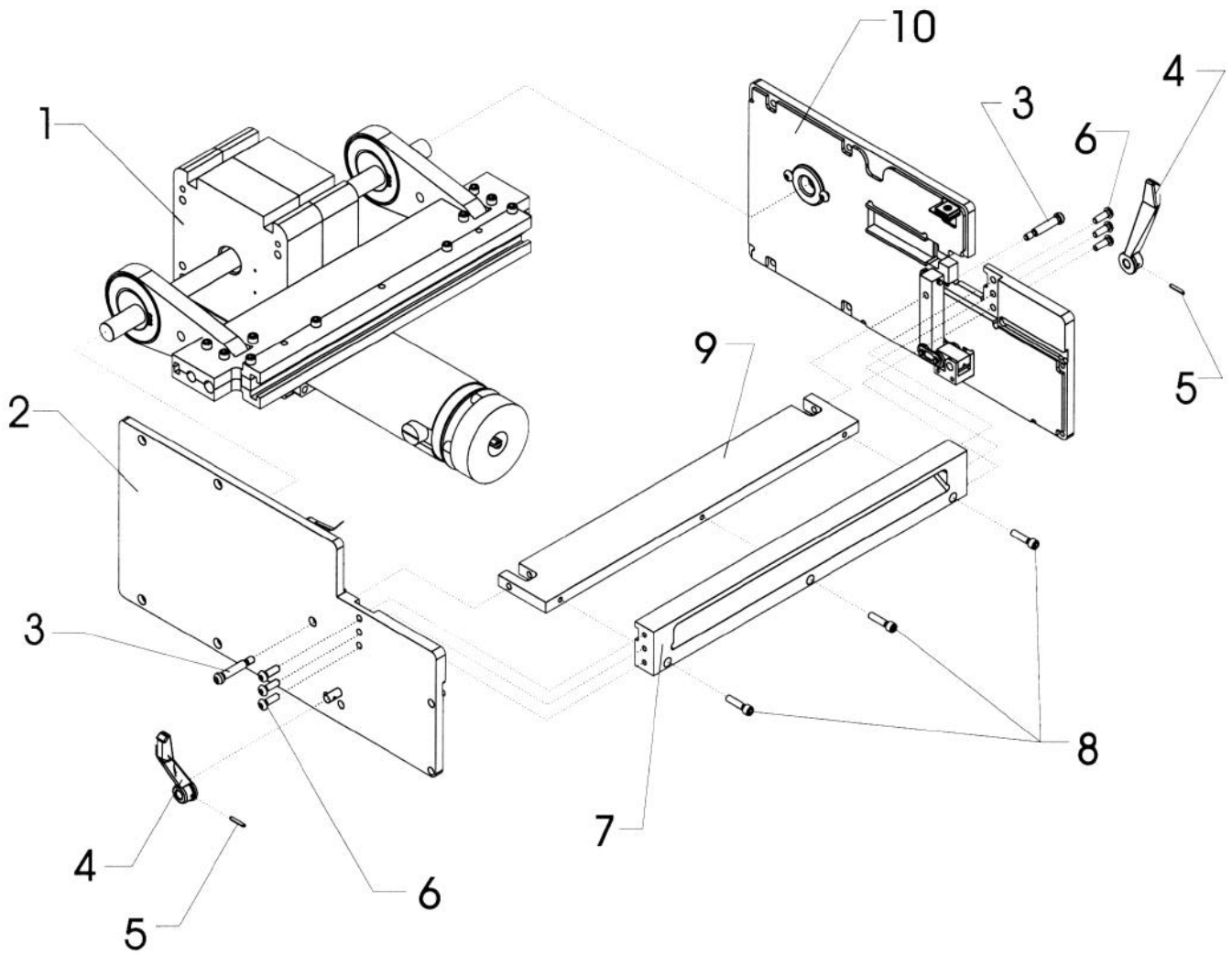
- 7000 Final Assembly, Labels - Decals are not shown in illustrations

<u>Description</u>	<u>Where Used</u>	<u>PDi P/N</u>	<u>Qty</u>
Decal, Rhin-0-Tuff	Front Panel	001125	1
Decal, Recepticle	Electrical Panel, Foot Pedal Rec.	001155	1
Decal, Patent Number	Electrical Panel Upper Right	001165	1
Decal, Caution Electrical Panel	Electrical Panel, Centered	001188	1
Decal, Rhin-0-Tuff 7000 Scale	Front Cover In Groove	070330	1
Decal, Lock	Sideplates Near Handle	071580	2
Decal, Unlock	Sideplates Near Handle	071590	2
Decal, Reverse	Front Panel Around Hole	071610	1
Decal, Ground Universal	Inside Electrical Panel Near Ground	001203	1

7000 Parts Book

Page 5

- 7000 Final Assembly, Gearbox To Side Plates -



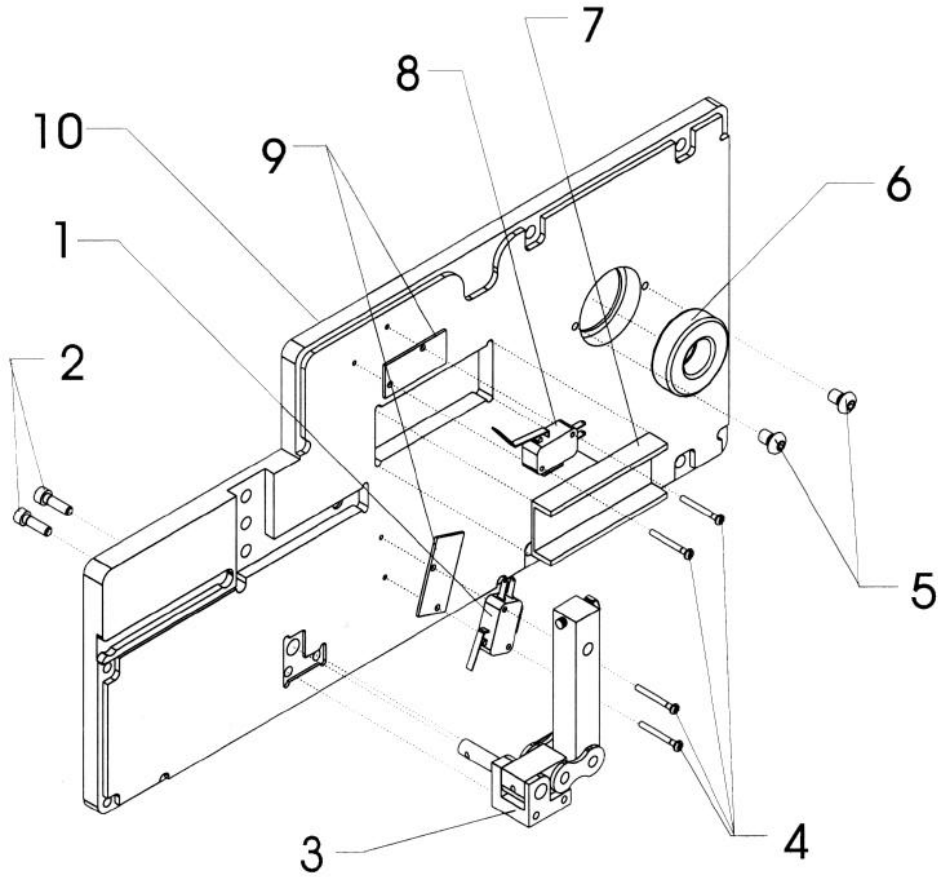
<u>Item</u>	<u>PDi P/N</u>	<u>Qty</u>	<u>Description</u>	<u>Notes</u>
1	071550	1	Gearbox Assy	Page 8
2	025590	1	Left Sideplate Assy	Page 6
3	005530	2	1/4 X 1.1/4 Shoulder Bolt	
4	071770	2	Handle, Clamp	
5	001062	2	Pin, Roll 1/8 X 3/4	
6	005460	6	BSHCS, 1/4-20 X 5/8	
7	071390	1	Bar, Backup	
8	005040	3	SHCS, 1/4-20 X 1	
9	070230	1	Plate, Die Support	
10	072600	1	Right Sideplate Assy	Page 7

7000 Parts Book

Page 6

PDi P/N 072590

- Assembly, Left Side Plate 7000 -



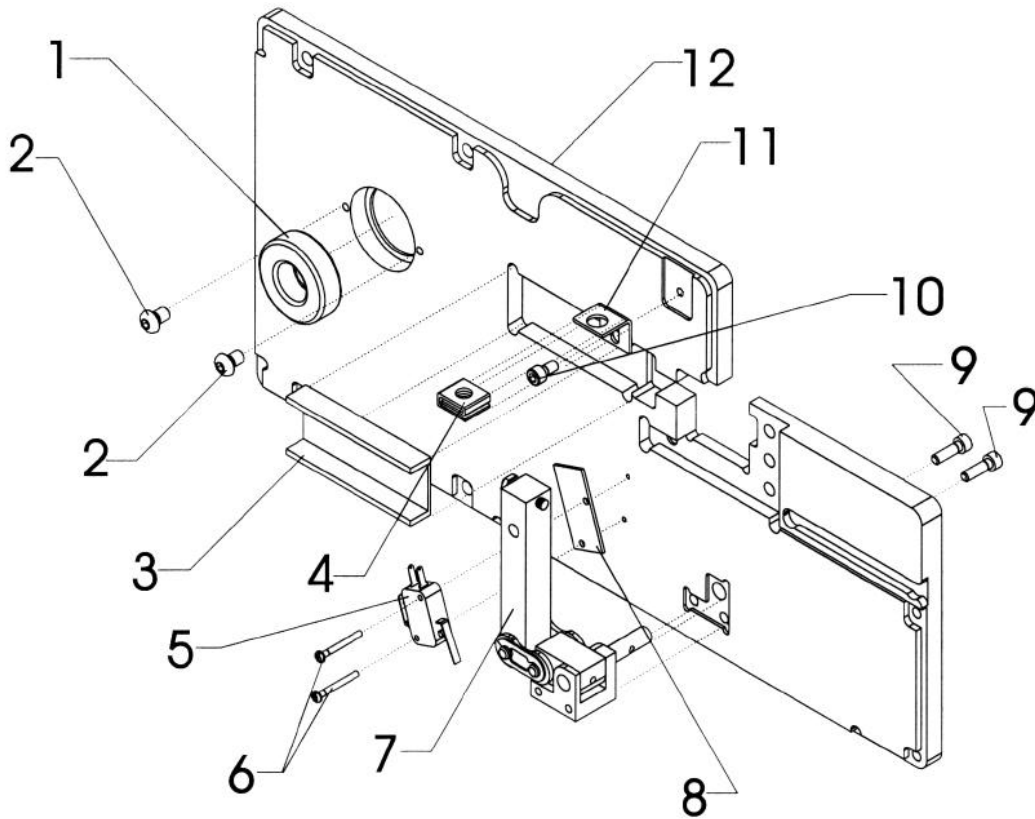
<u>Item #</u>	<u>PDi P/N</u>	<u>Q t y</u>	<u>Description</u>	<u>Notes</u>
1	007240	1	Switch, Safety	
2	002440	2	Taptite, 10-24 X 5/8	
3	072560	1	Clamp Assy Left	
	001062	1	Pin, Roll 1/8 X 3/4	
	001330	1	#60 Master Link	
	002320	1	SHSS, 10-32 X 1 Half Dog Point	
	004160	1	Nut, 10-32 Finish	
	070210	1	Base, Clamp Left WP 7000	
	070290	1	Pivot, Clamp WP 7000	
	070300	1	Shaft, Clamp WP 7000	
	070310	1	Lever, Clamp WP 7000	
4	002480	4	PPHSM, 4-40 X 5/8	
5	002350	2	BSHCS, 10-24 X 3/8	
6	001052	1	Bearing, Sideplate	
7	070240	1	Bushing, Sideplate	
8	007240	1	Switch, Safety(2)	
9	001151	2	Insulator, Switch	
10	070060	1	Sideplate, Left	

7000 Parts Book

Page 7

PDi P/N 072600

- Assembly, Right Side Plate 7000 -



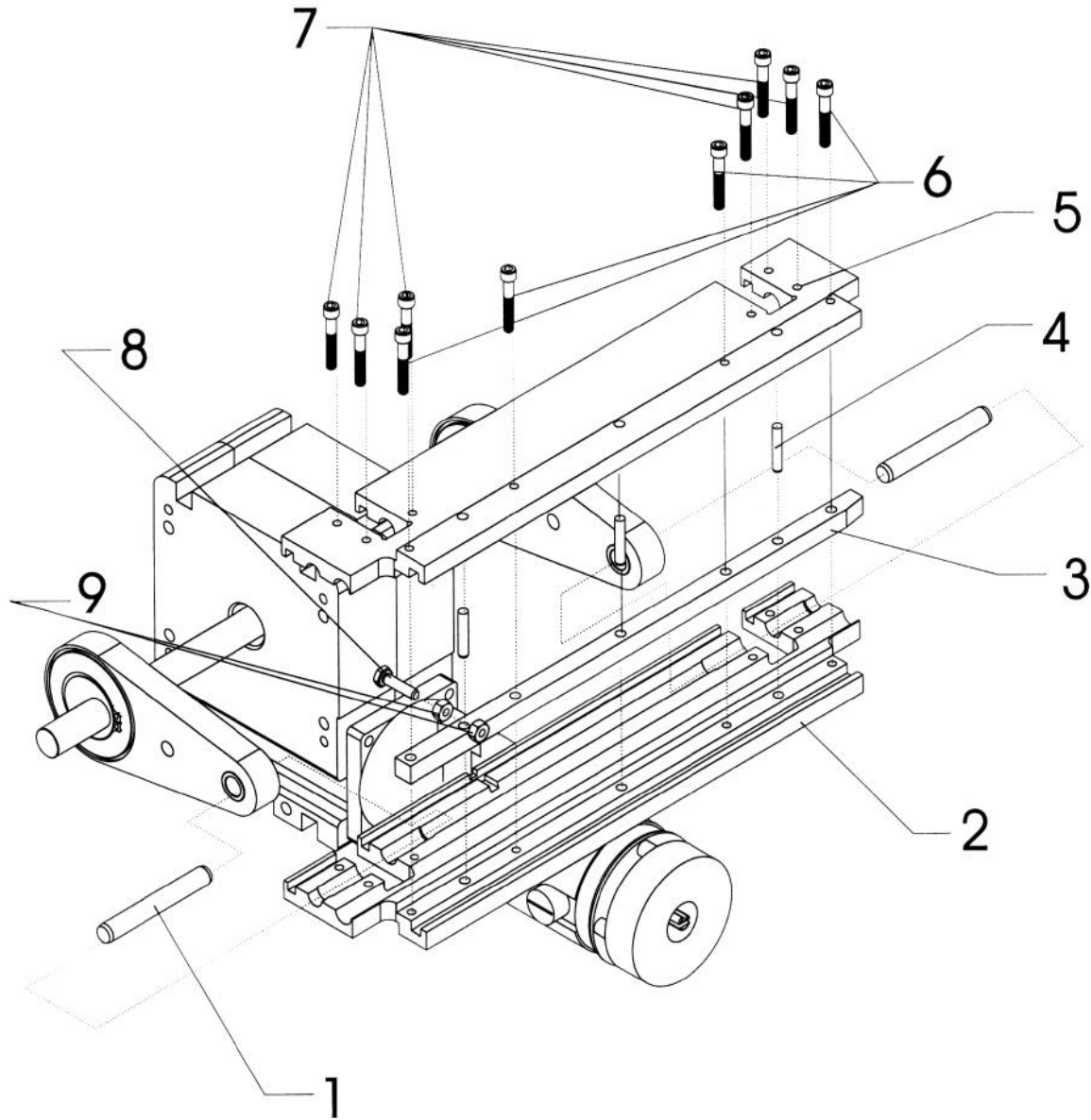
<u>Item</u>	<u>PDi P/N</u>	<u>Qty</u>	<u>Description</u>	<u>Notes</u>
1	001052	1	Bearing, Sideplate	
2	002350	2	BHSHCS, 10-24 X 3/8	
3	070240	1	Bushing, Sideplate	
4	001159	1	Receptacle, Safety Fastener	
5	007240	1	Switch, Safety	
6	002480	2	PPHSM, 4-40 X 5/8	
7	072570	1	Clamp Assy Right	
	001062	1	Pin, Roll 1/8 X3/4	
	001330	1	#60 Master Link	
	002320	1	SHSS, 10-32 X 1 Half Dog Point	
	004160	1	Nut, 10-32 Finish	
	070280	1	Base, Clamp Left WP 7000	
	070290	1	Pivot, Clamp WP 7000	
	070300	1	Shaft, Clamp WP 7000	
	070310	1	Lever, Clamp WP 7000	
8	001151	1	Insulator, Switch	
9	002440	2	Taptite, 10-24 X 5/8	
10	005180	1	SHCS, 10-24 X 1/4	
11	04067R	1	Bracket, Safety Screw	
12	070050	1	Sideplate, Right	

7000 Parts Book

Page 8

PDi P/N 071550

- Assembly, Gearbox, Connecting Rod & Pushbar 7000 -



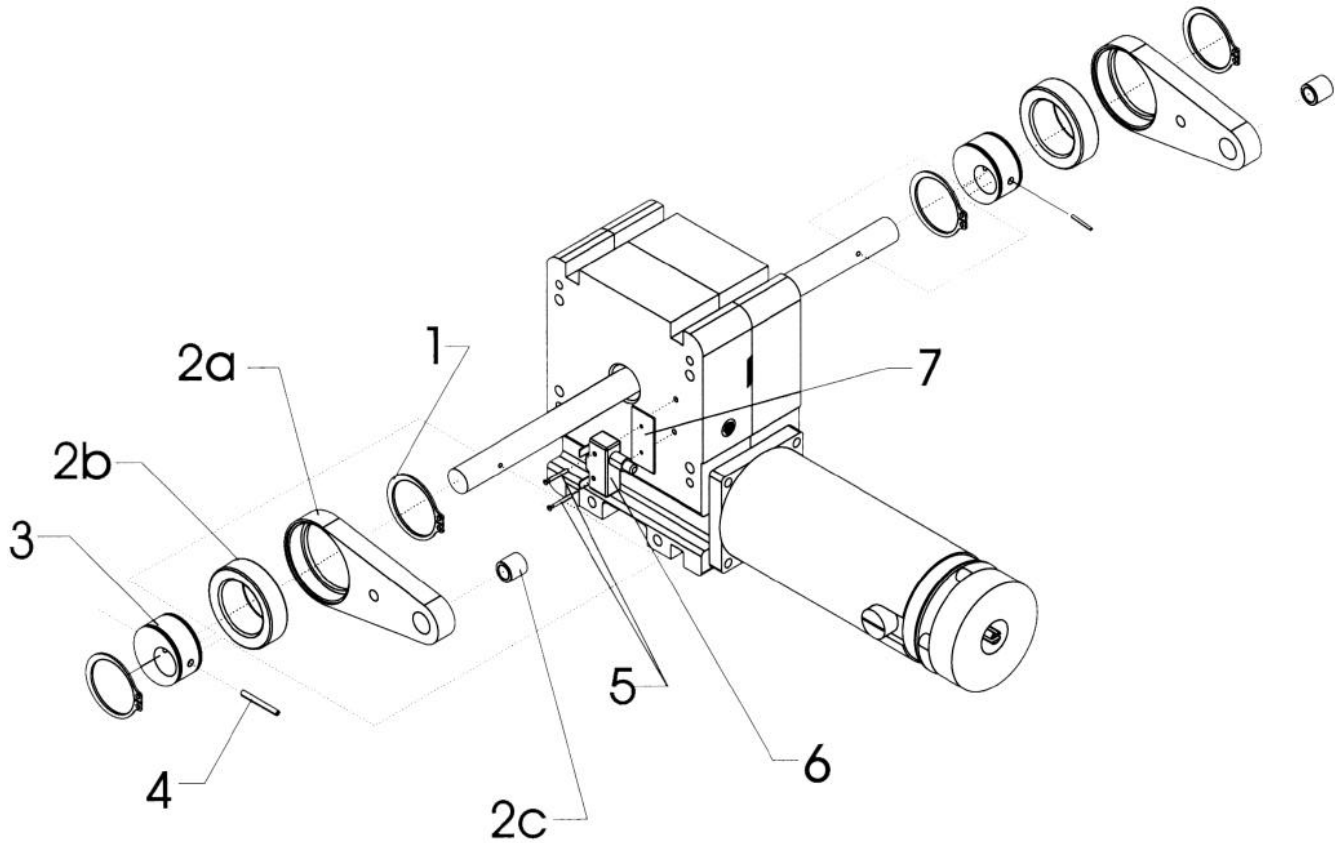
<u>Item #</u>	<u>PDi P/N</u>	<u>Qty</u>	<u>Description</u>	<u>Notes</u>
1	001020	2	Pin. Dowel 1/2" X 3"	
2	071430	1	Pusherbar, Bottom	
3	070260	1	Bar, Pin Backup	
4	001400	3	Pin, Dowel 1/4" X 1.1/4"	
5	071420	1	Pusherbar, Top	
6	005420	4	SHCS, 1/4-20 X 1.1/2	
7	005040	6	SHCS, 1/4-20 X 1	
8	005540	1	HHCS, 1/4-20 X 1	
9	004090	2	Nut, 1/4-20	

7000 Parts Book

Page 9

PDi P/N 071550

- Assembly, Gearbox & Connecting Rod 7000 -



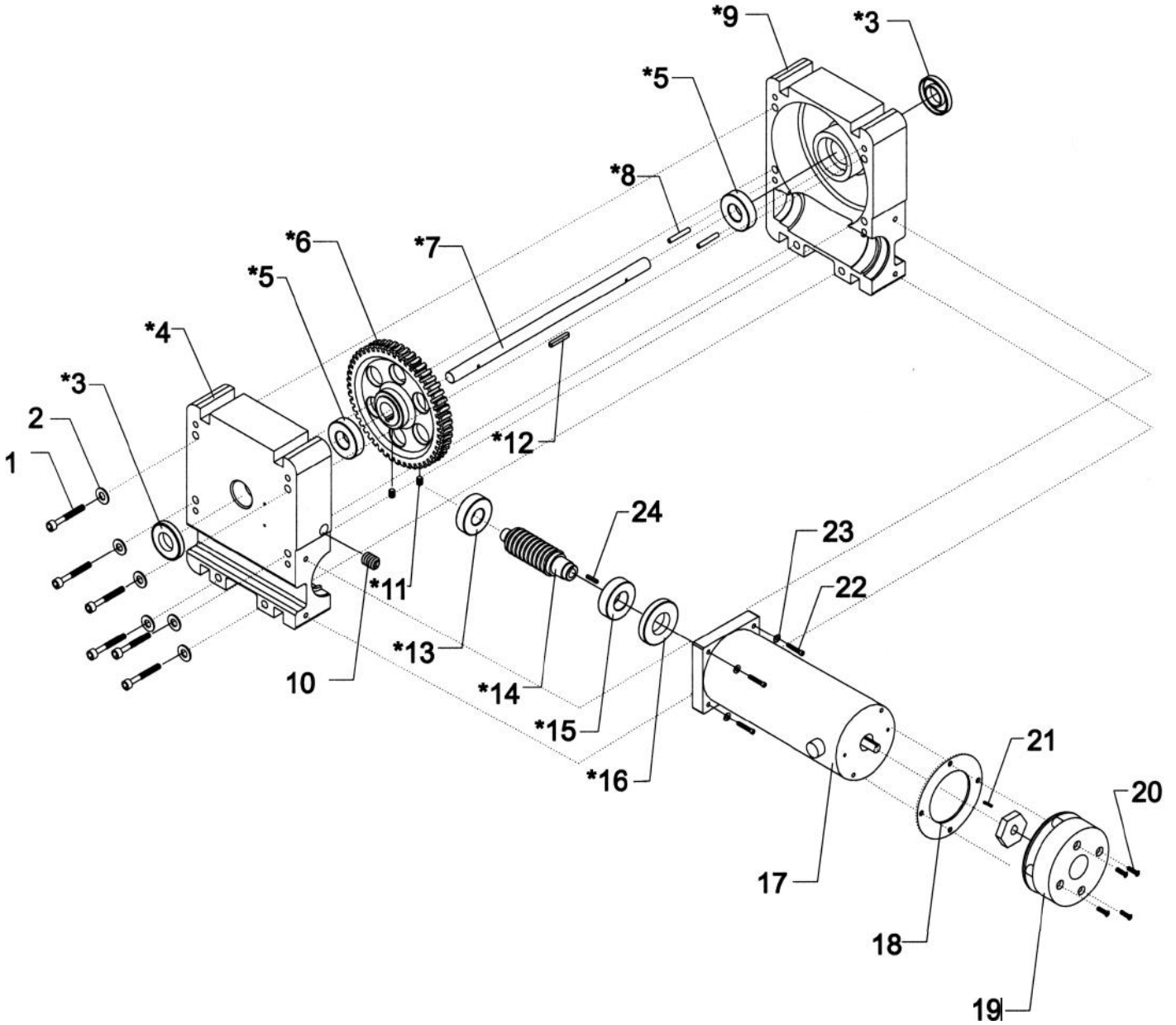
<u>Item</u>	<u>PDi P/N</u>	<u>Qty</u>	<u>Description</u>	<u>Notes</u>
1	001300	4 ea	Retaining, Ring	
2	071560	2 ea	Assy, Connecting Rod	
2a	070170	1 ea	Rod, Connecting	
2b	001110	1 ea	Bearing, Ball Connecting Rod	
2c	001390	1 ea	Bushing, Oilite	
3	050060	2 ea	Cam, Connecting Rod	
4	001089	2 ea	Pin, Roll 3/16 X 1.1/2	
5	002500	2 ea	FHMS, 4-40 X 1	
6	007830	1 ea	Switch, Stop	
7	001152	1 ea	Insulator, Switch Gearbox	
8	007930	2 ea	Adapter, Ring to 1/4" Spade Terminal	Not Shown

7000 Parts Book

Page 10

PDi P/N 071550

- Assembly, Gearbox 7000 -



* It is recommended that Performance Design Inc. service these items.

7000 Parts Book

Page 11

PDi P/N 071550

- Assembly, Gearbox 7000 -
Index

<u>Item #</u>	<u>PDi P/N</u>	<u>Qty</u>	<u>Description</u>	<u>Notes:</u>
1	005320	6 ea	SHCS, 5/16-18 X 2.3/4	
2	003160	6 ea	Washer, 5/16 Lock	
*3	001049	2 ea	Seal, Gearbox Shaft	
*4	070070	1 ea	Gearbox, Left Side	
*5	001052	2 ea	Bearings, Gearbox Shaft	
*6	070190	1 ea	Gear,Worm 50 Tooth Double Lead	
*7	070140	1 ea	Crankshaft	
*8	001400	2 ea	Pin, Dowel 1/4" X 1.1/4"	
*9	070080	1 ea	Gearbox, Right Side	
10	002250	1 ea	Plug, Pipe 1/4-18 X 1/2 SH	Teflon Tape To Seal
*11	002120	2 ea	SHSS, 10-24 X 1/4	
*12	070360	1 ea	Key, Crankshaft	
*13	001048	1 ea	Bearing, Gearbox Aft	
*14	070200	1 ea	Worm Gear	
*15	001047	1 ea	Bearing, Gearbox Fore	
*16	001072	1 ea	Seal, Gearbox Pinion	
17	007820	1 ea	Motor, 1/4 HP 115VDC	
18	072400	1 ea	Plate, Brake Adapter	
19	001470	1 ea	Brake, 115VDC	
20	005230	4 ea	SHCS, 8-32 X 1.3/8	
21	001810	1 ea	Key, Brake	
22	005040	4 ea	SHCS, 1/4-20 X 1	
23	003170	4 ea	Washer, 1/4 High Collar Lock	
24	070370	1 ea	Key, Pinion	
25	008190	3 ea	Pin, Connector 14-20 AWG Amp (Motor)	Not Shown
26	008180	2 ea	Pin, Connector 18-24 AWG Amp (Break)	Not Shown

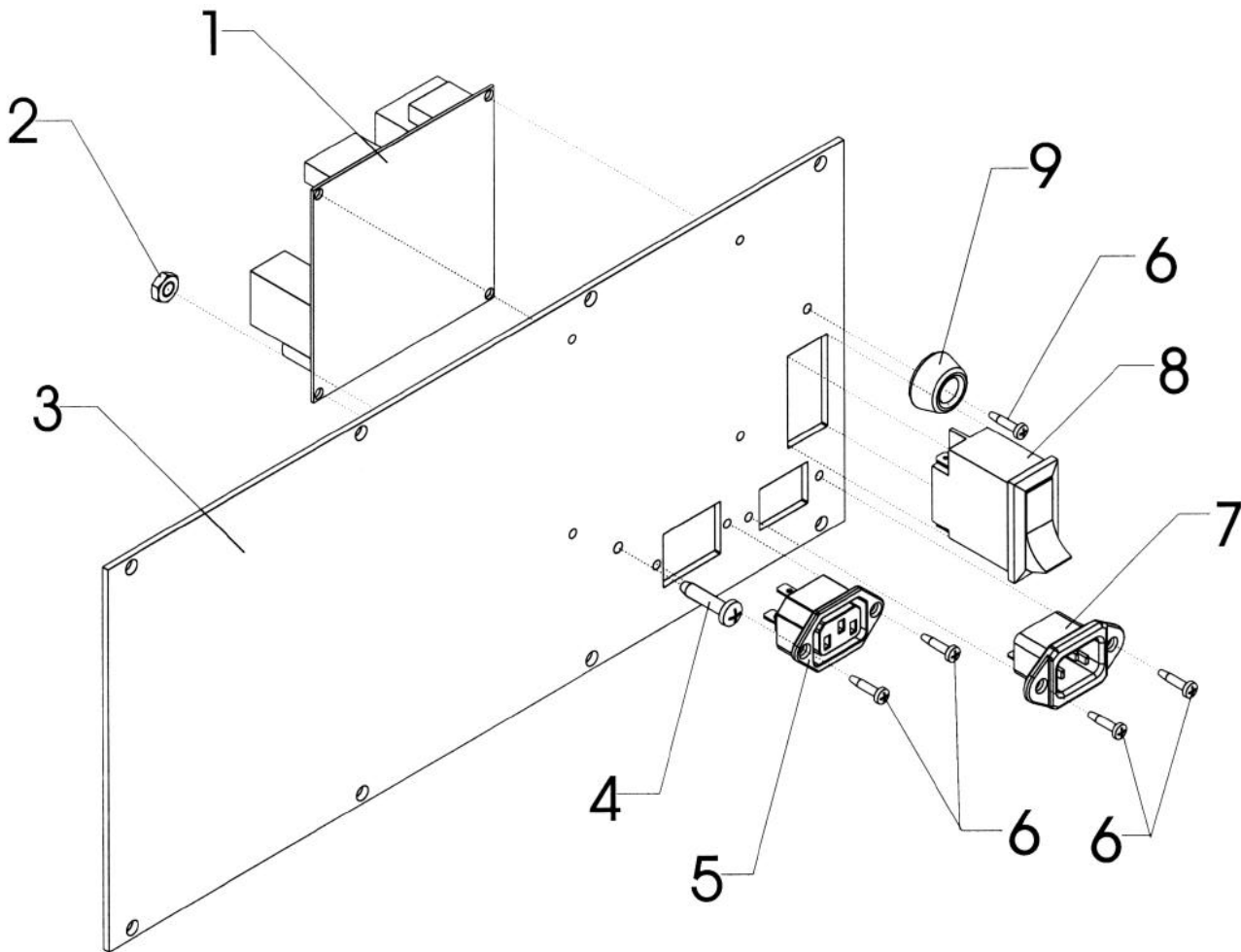
* It is recommended that Performance Design Inc. service these items.

7000 Parts Book

Page 12

PDi P/N 072330

- Assembly, Panel Electrical 7000 -



<u>Item #</u>	<u>PDi P/N</u>	<u>Qty</u>	<u>Rqd</u>	<u>Description</u>
1	007980	1 ea		PCA, Control Board UL
1	007981	1 ea		PCA, Control Board CE
2	004160	3 ea		Nut, 10-32 Finish
3	072200	1 ea		Panel, Electrical
4	005410	1 ea		PPHMS, 10-32 X 1
5	007040	1 ea		Receptacle, Foot Pedal Cord
6	002060	5 ea		10-32 X 1/2 Self Tapper
7	007050	1 ea		Receptacle, Power Cord
8	007013	1 ea		Breaker, Circuit 10 Amp

Notes:

7000 Parts Book

Page 13

- 7000 Accessories -

8 Slot Die Rack / Organizer

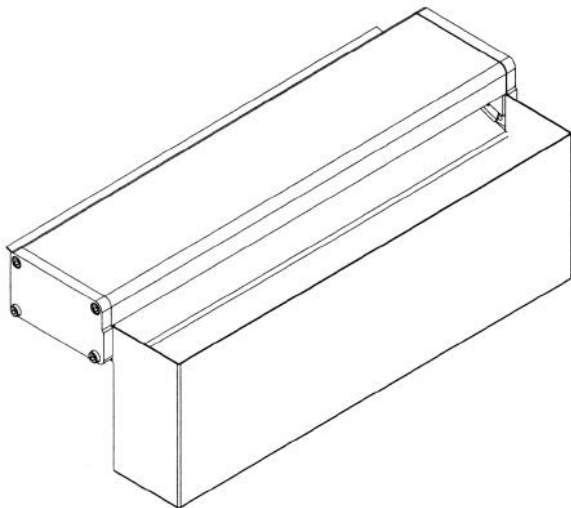
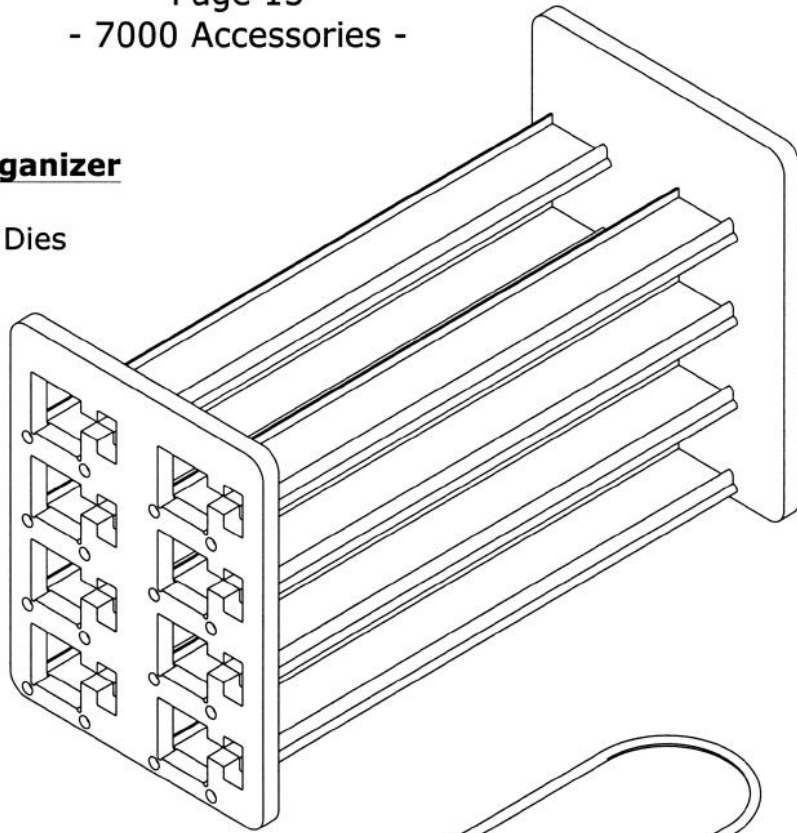
- Stores Up To Eight Dies
- Small Footprint
- Great Organization

PDi P/N 072460

4 Slot Die Rack (Not Shown)

- Wall Mountable
- Great Organization

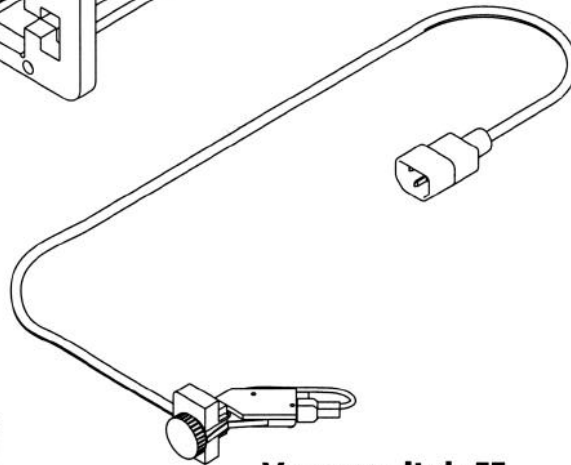
PDi P/N 072170



Commercial Chip Drawer

- Improves Waste Paper Chip Handling
- Greatly Enhances Operator Efficiency

PDi P/N 072380



Versaswitch II

- Fast Accurate Operation
- Replaces Foot Pedal
- Improves Throughput

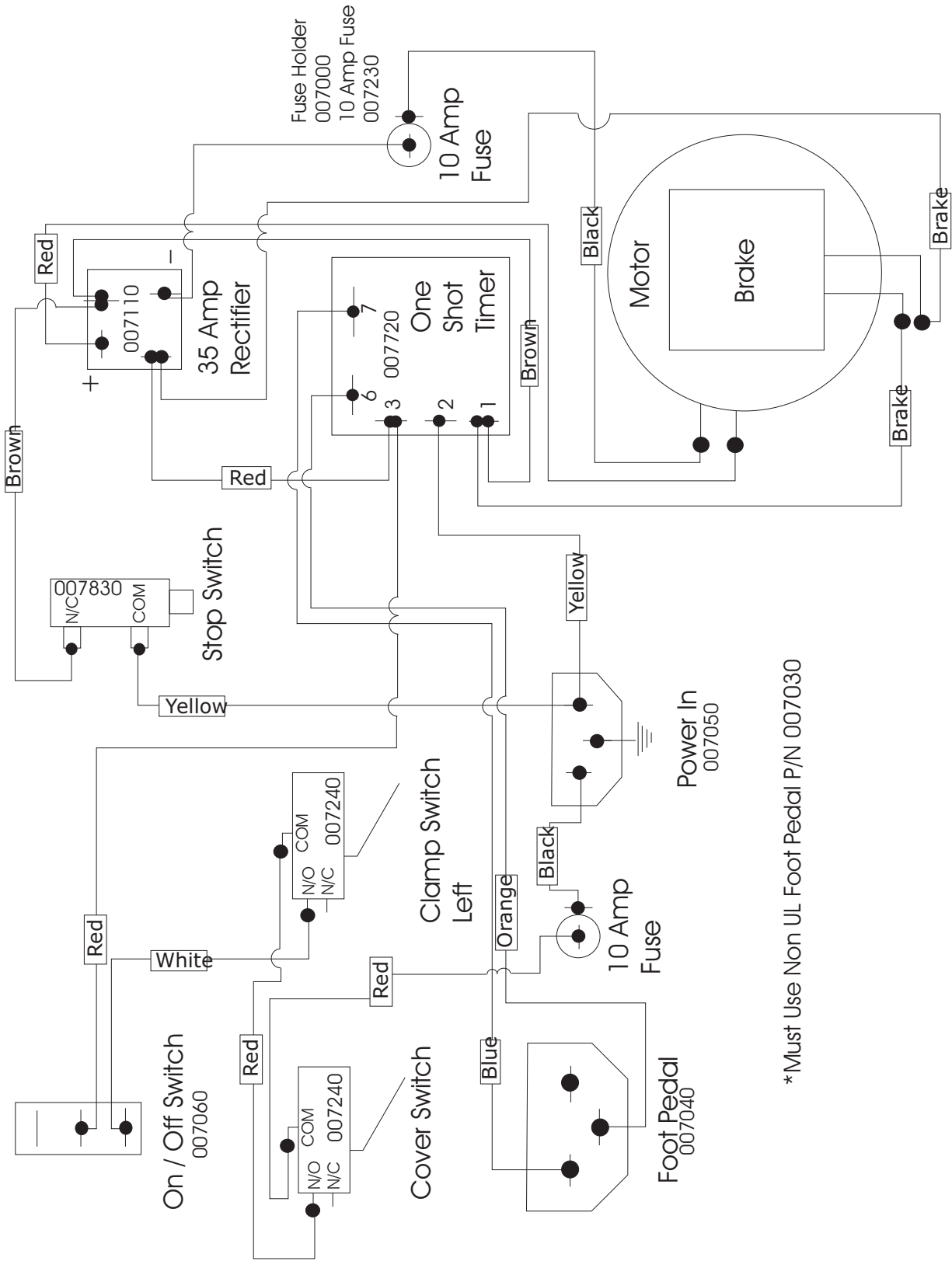
UL - PDi P/N 072180

non UL - PDi P/N 071670

7000 Parts Book

Page 14

- 7000 Schematic -Non UL -

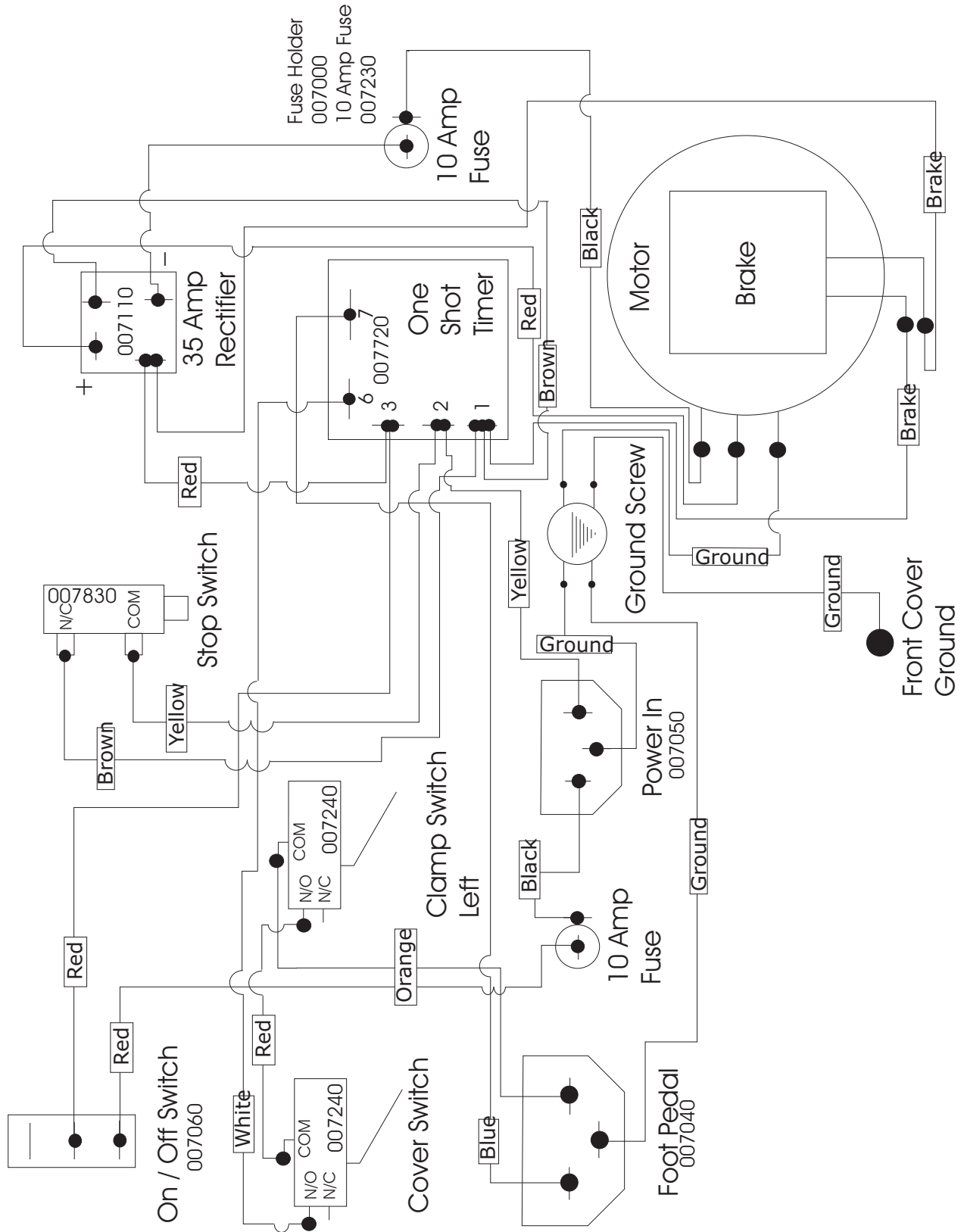


*Must Use Non UL Foot Pedal P/N 007030

7000 Parts Book

Page 15

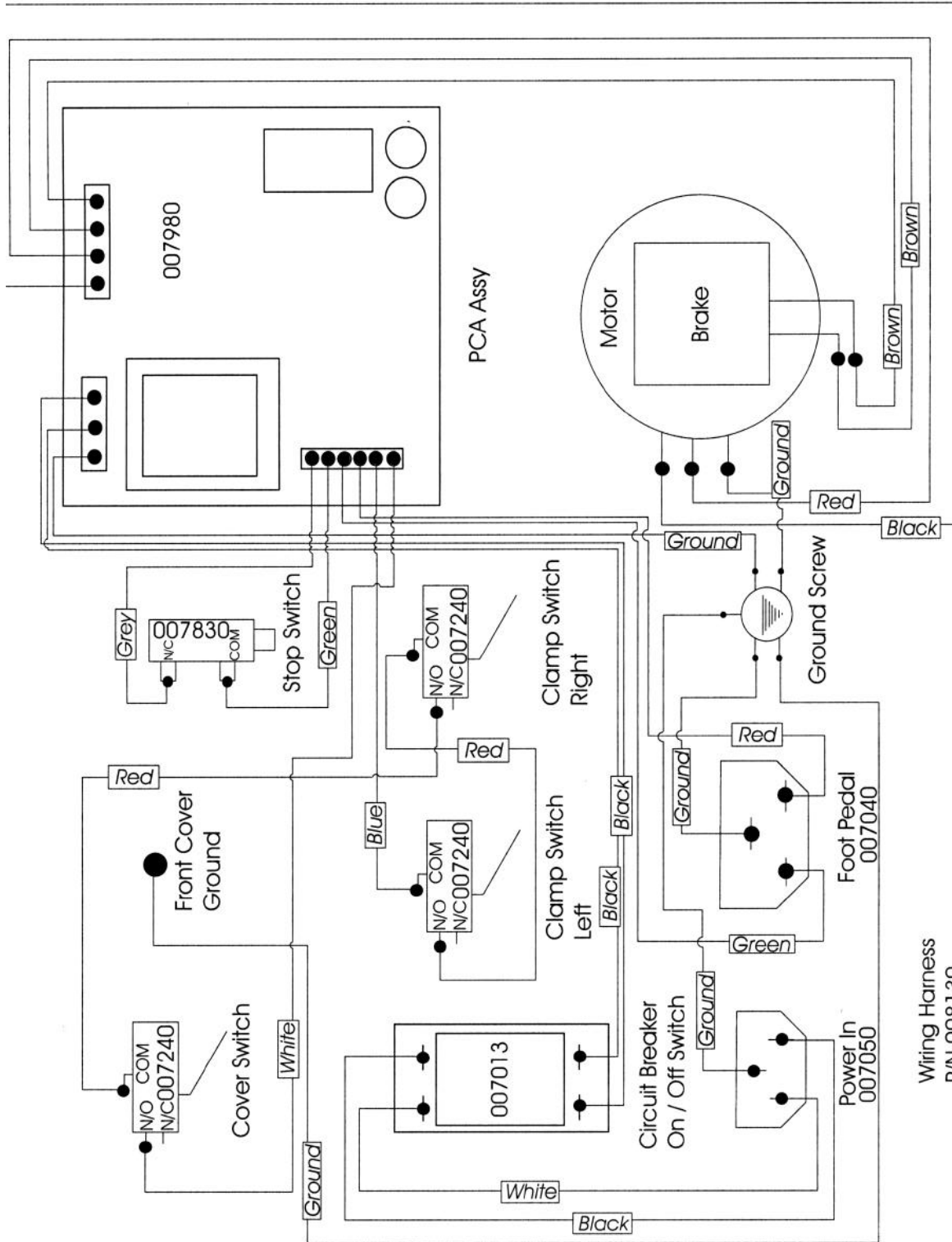
- 7000 Schematic - UL -



7000 Parts Book

Page 16

- 7000 Schematic - UL W/ PCA Board -



Wiring Harness
P/N 008130

7000 Parts Book

Page 17

7000 Schematic - CE -

