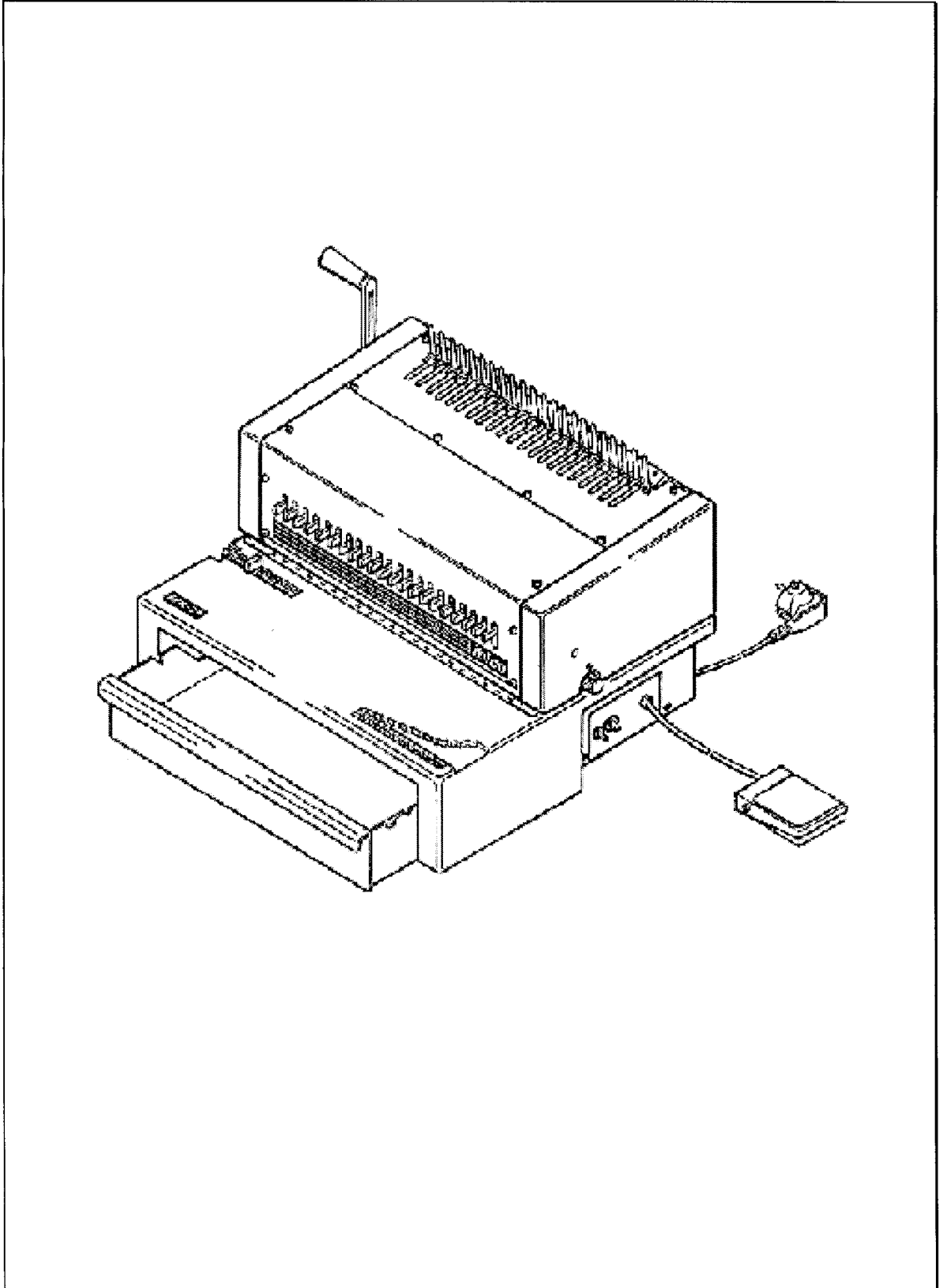
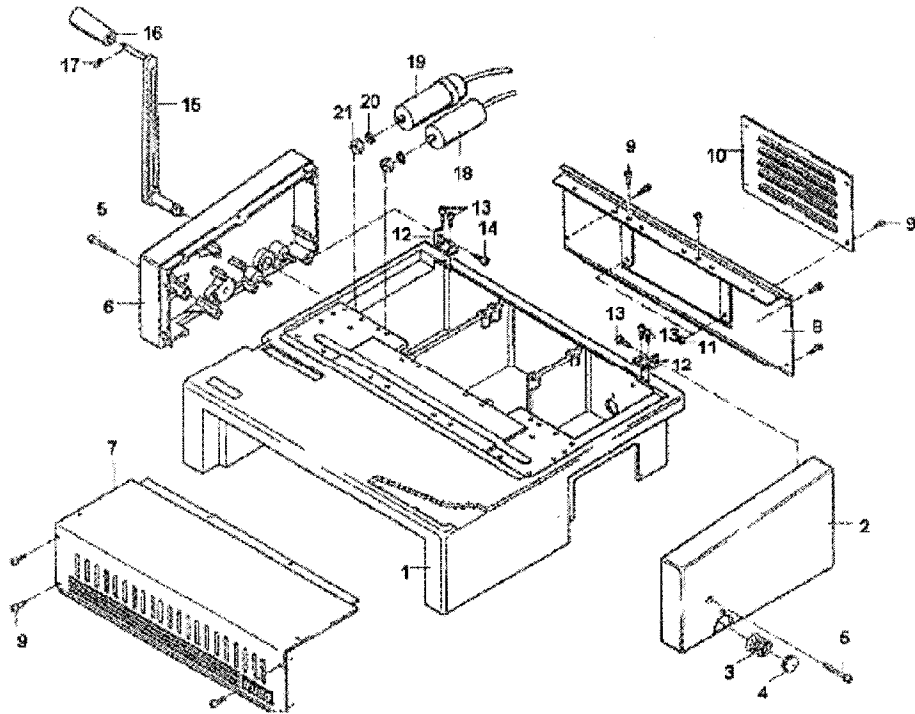


EPK21 PARTS LIST



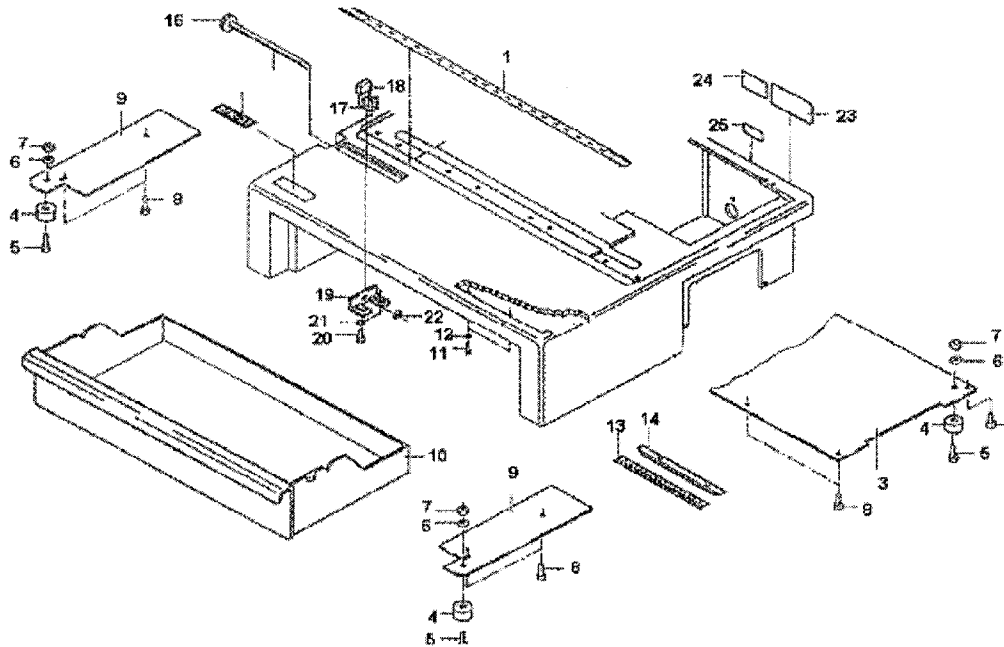
EPK21 PARTS LIST



ITEM	GBC#	IBICO#	DESCRIPTION	QTY.
1	7401097	2200	Chassis	1
2	7401165	2606	Cover , right	1
3	7400652	2260	Knob	1
4	7400653	2261	Knob cover	1
5	1800132	9006	Hex. socket cap screw	2
6	7401068	1607	Cover plate , left	1
7	7401083	1649	Front cover , printed	1
8	7401084	1650	Back cover	1
9	1800107	9030	Duo-tap screw	10
10	7401124	2239	Cover for hood	1
11	1800403	9207	Nut	4
12	7401181	2640	Bracket	2
13	1800101	9000	Hex socket cap screw	6
14	1800102	9002	Hex socket cap screw	1
15	7401168	2611	Lever	1
16	7401185	2643	Handle	1
17	1800454	9500	Retaining ring	1
18	7401201	2684	Cap 115v / 16uF	1
19	7401190	2652	Cap 115v / 10uF	1
20	1800302	9403	Toothed lock washer	2
21	1800401	9201	Hexagon thin nut	2

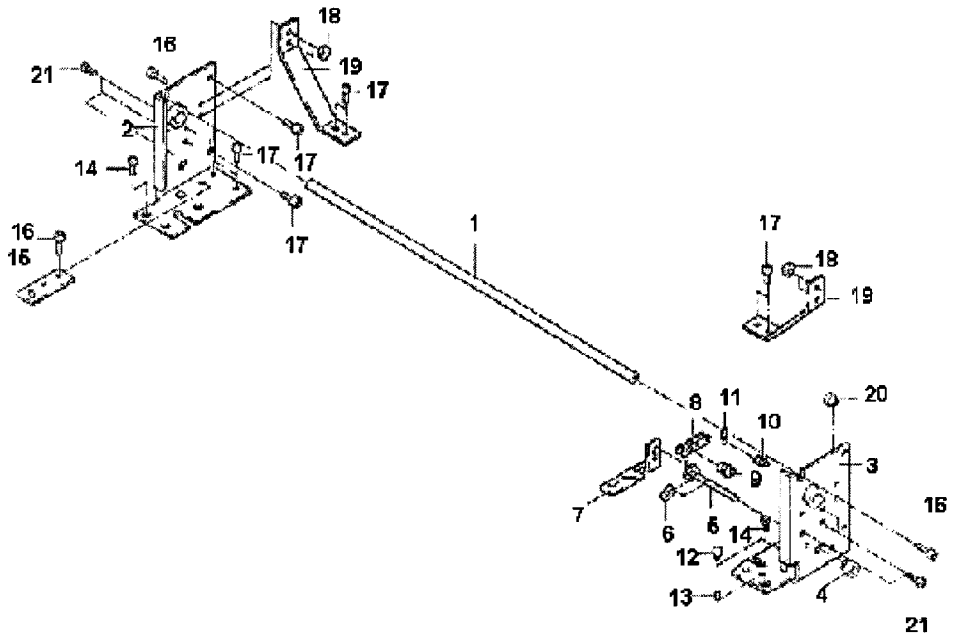
* 7401069 Complete lever assy. (includes # 15,16, and 17).

EPK21 PARTS LIST



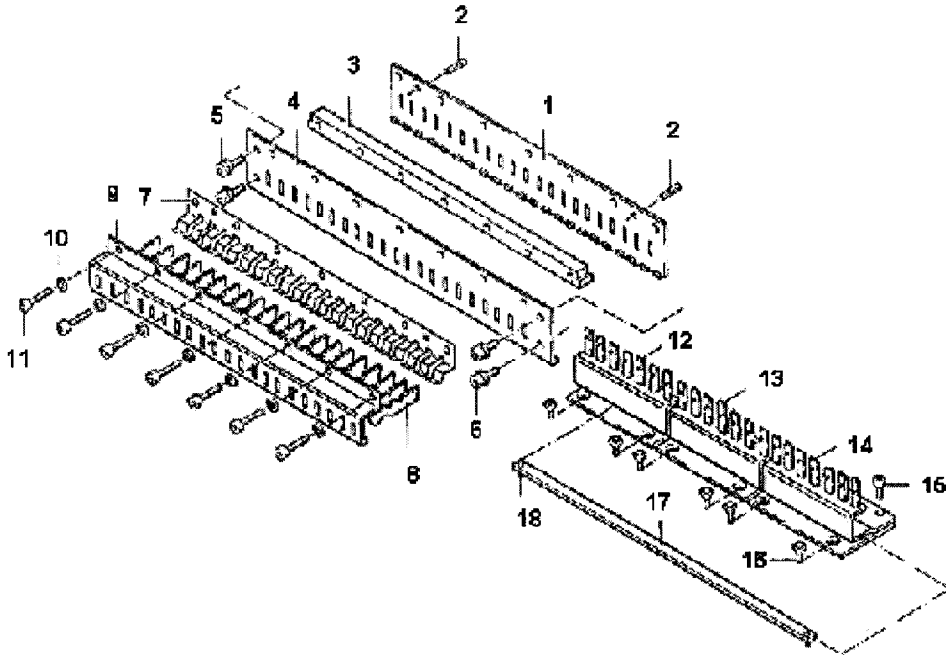
ITEM	GBC#	IBICO#	DESCRIPTION	QTY.
1	7401038	6401	Scale 21 IBICO	1
2	7401034	N/A	Logotype	1
3	7401058	1240	Bottom plate	1
4	7401141	2271	Rubber foot	4
5	1800106	9028	Oval head screw	4
6	1800322	9409	Curved spring washer	4
7	1800408	9204	Hex thin nut	4
8	1800106	9028	Duo-tap screw	5
9	7401158	2298	Drawer guide	2
10	7401123	2238	Drawer	1
11	1800107	9030	Oval head screw	2
12	1800328	9417	Spring lock washer	2
13	7401206	N/A	Plastic binders scale	1
14	7401202	3303	Strip	1
15	7401066	1354	Spindle assy.	1
16	N/A	N/A	N/A	
17	7401203	3304	Side stop	1
18	7401204	3305	Paper stop	1
19	7401205	3308	Spindle holder	1
20	1800102	9002	Hex socket head screw	2
21	1800304	9410	Washer	2
22	1800467	9509	Washer	1
23	N/A	N/A	Type label	1
24	N/A	N/A	Sticker	1
25	N/A	N/A	Sticker fuse	1

EPK21 PARTS LIST



ITEM	GBC#	IBICO#	DESCRIPTION	QTY.
1	7401096	2158	Distance axle	1
2	7401045	1122	Bearing bracket cpl., left	1
3	7401044	1116	Bearing bracket cpl, right	1
4	7400612	2145	Bearing	1
5	7401048	1149	Stop axle cpl.	1
6	1800454	9500	Retaining ring	1
7	7400620	2151	Paper stop slide	1
8	7400601	1141	Stop lever cpl.	1
9	7400609	2123	Bolt	1
10	7400610	2124	Spring bolt	1
11	7400613	2155	Tension spring	1
12	7400608	2119	Guide screw	1
13	1800501	9604	Parallel pin	1
14	1800105	9024	Counter sunk screw	5
15	7400621	2152	Paper stop guide	1
16	1800130	9004	Hex socket hd cap	3
17	1800102	9002	Hex socket hd cap	4
18	1800402	9205	Hex thin nut	4
19	7401094	2154	Support	2
20	1800405	9208	Nut	1
21	1800101	9000	Hex socket hd cap	2

EPK21 PARTS LIST

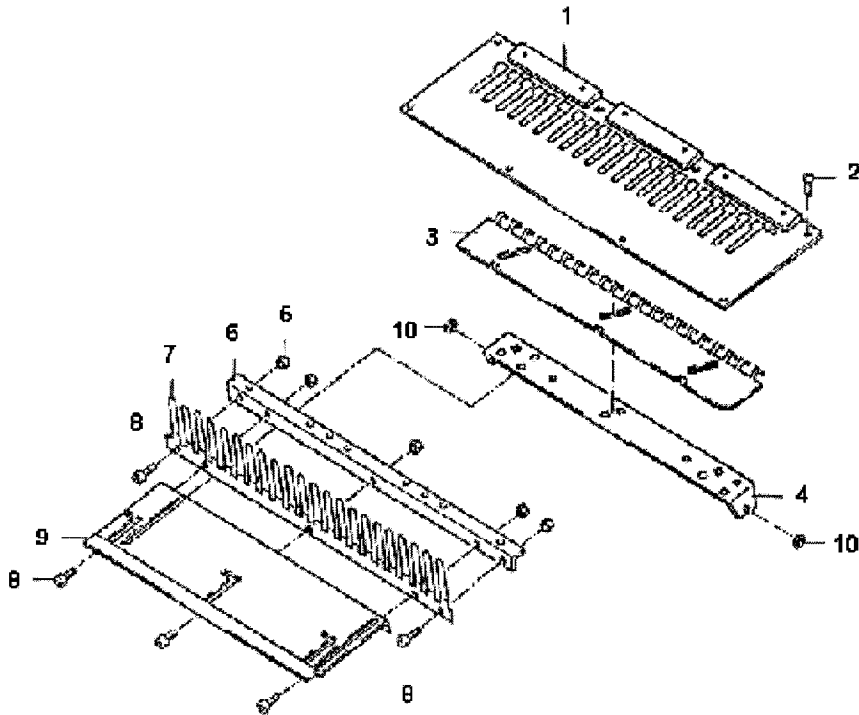


ITEM	GBC#	IBICO#	DESCRIPTION	QTY.
1	7400625	2129	Bracket , back	1
2	1800516	9619	Slotted spring pin	2
3	7401092	2131	Rod	1
4	7400627	2128	Bracket , front	1
5	1800133	9010	Safety screw	1
6	1800110	9011	Safety screw	4
7	7400628	2132	Spring	1
8	7400630	2133	Slide	21
9	7400629	2130	Guide	1
10	1800308	9400	Spring lock washer	7
11	1800109	9009	Hex socket cap screw	7
12	7401041	1038	Left die	1
13	7400510	1049	Center die	1
14	7401042	1039	Right die	1
15	1800102	9002	Hex socket cap screw	6
16	1800105	9024	Countersunk screw	6
17	7400622	1163	Paper stop	1
18	1800501	9604	Parallel pin	1

•□□

7401046 Pressbeam assy cpl. (includes #1-11)

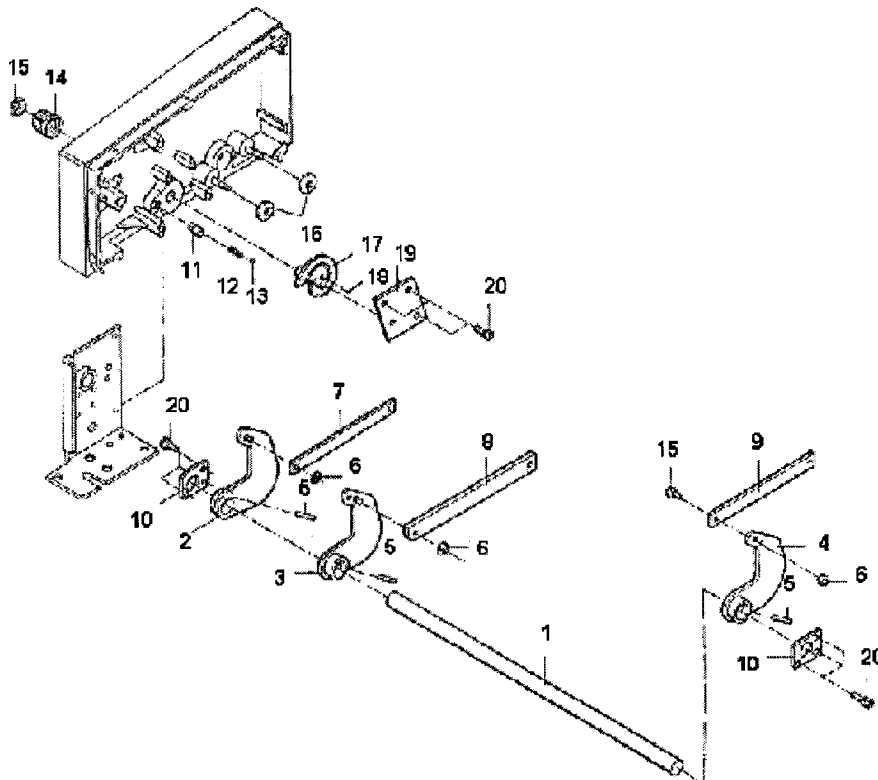
EPK21 PARTS LIST



ITEM	GBC#	IBICO#	DESCRIPTION	QTY.
1	7400659	1301	Cover plate, cpl.	1
2	1800107	9030	Duo-tap screw	4
3	7400542	2303	Slide 21	1
4	7401074	1621	Carrier cpl.	1
5	1800404	9217	Hex nut	5
6	N/A	N/A	Bracket	1
7	7400505	1310	Comb 21 assy.	1
8	1800101	9000	Hex socket hd cap	5
9	N/A	N/A	Guide plate	1
10	1800467	9509	Retaining washer , loose	2

- Comb 21 assy. (Includes # 6 , # 7, and # 9)

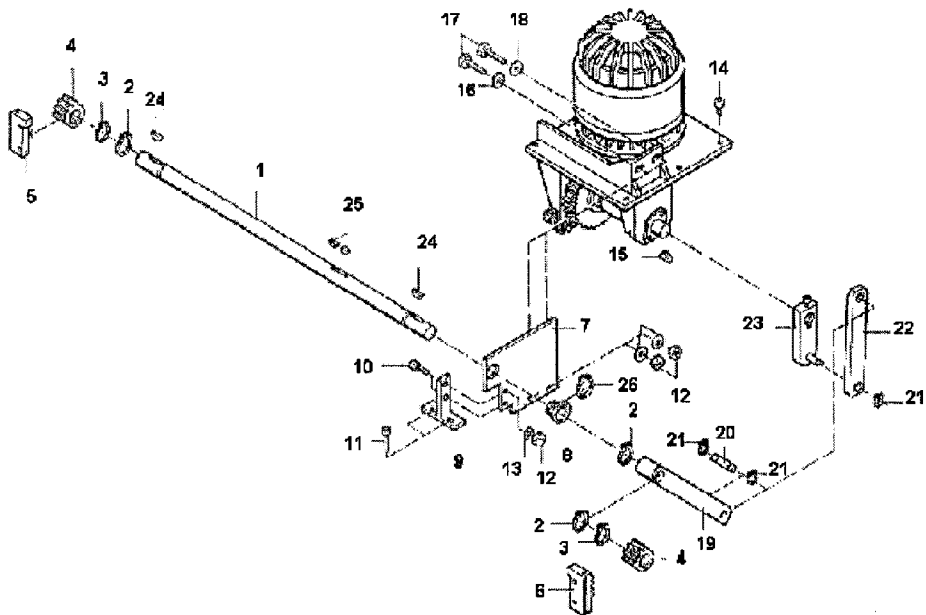
EPK21 PARTS LIST



ITEM	GBC#	IBICO#	DESCRIPTION	QTY.
1	7401162	2604	Axle	1
2	7401071	1615	Arm cpl. , left	1
3	7401072	1616	Arm cpl. , center	1
4	7401073	1617	Arm cpl. , right	1
5	1800517	9620	Slotted spring pin	3
6	1800467	9509	Retaining washer	3
7	7401176	2628	Rod , top	1
8	7401175	2627	Rod , bottom	1
9	7401179	2636	Rod , top , special	1
10	7401183	2641	Bearing plate	2
11	7401166	2608	Tube	1
12	7401167	2610	Pressure spring	1
13	1800552	9702	Ball	1
14	7400651	2345	Control knob	1
15	7400653	2261	Knob cover	1
16	7401173	2626	Washer	2
17	7401081	1644	Stop wheel cpl.	1
18	1800514	9611	Spiral pin	1
19	7401184	2642	Bar	1
20	1800101	9000	Hex socket hd	4

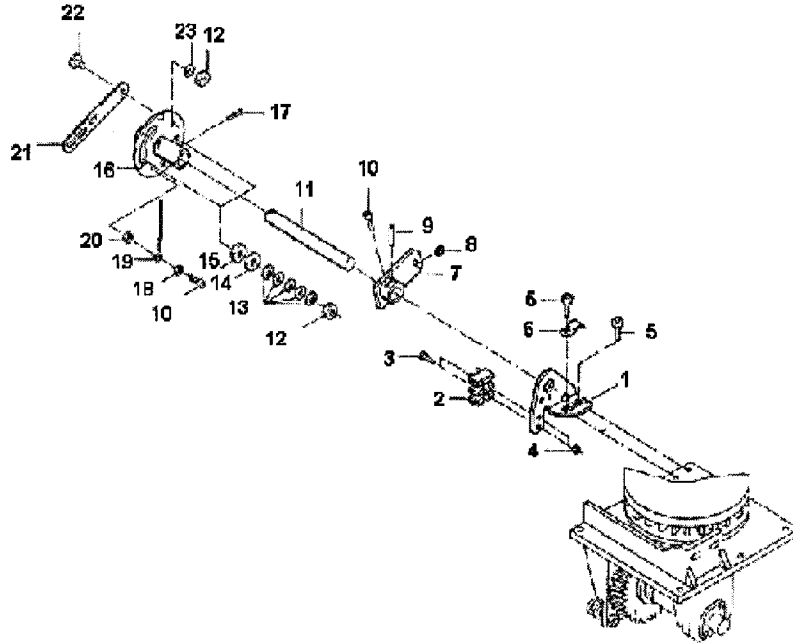
* 7401070 Axle assy. cpl.

EPK21 PARTS LIST



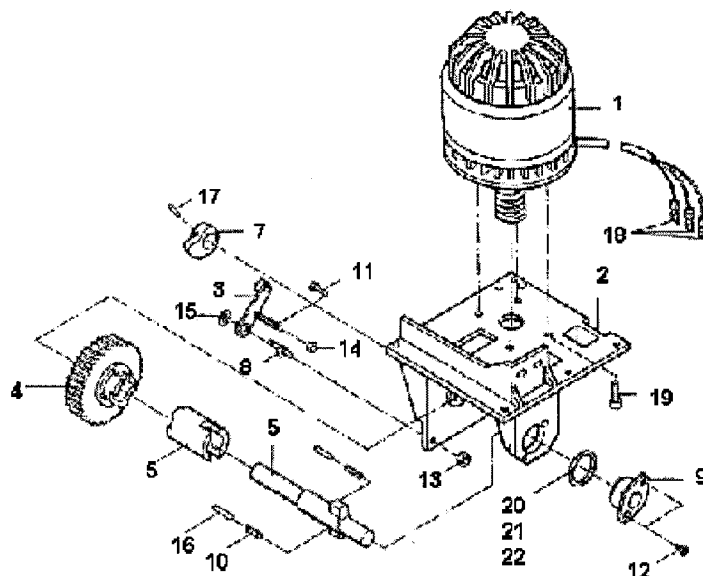
ITEM	GBC#	IBICO#	DESCRIPTION	QTY.
1	7401113	2223	Axle	1
2	1800464	9515	Grip ring	3
3	1800455	9504	Retaining ring	2
4	7400615	2146	Tooth segment	2
5	7401193	2654	Toothed rack , left	1
6	7401195	2655	Toothed rack , right	1
7	7401055	1224	Bearing plate	1
8	N/A	N/A	Bearing bushing	1
9	7401115	2226	T-fastening	1
10	1800134	9012	Hex. socket hd. cap screw	2
11	1800110	9011	Hex. socket hd. cap screw	2
12	1800409	9206	Hex thin nut	1
13	1800324	9412	Spring lock washer	1
14	1800108	9005	Hex. socket hd. cap screw	4
15	1800519	9623	Woodruff key	1
16	1800301	9303	Special washer	1
17a	1800134	9012	Hex screw	1
17b	1800151	9066	Hex screw	1
18	1800301	9303	Washer	1
19	7401109	2213	Lever	1
20	7401119	2234	Axle	1
21	1800451	9502	Retaining ring	1
22	7401051	1210	Joint arm cpl.	1
23	7401049	1207	Lever cpl.	1
24	1800508	9624	Woodruff key	2
25	7401155	2291	Wedge	2
26	N/A	N/A	Retaining ring	1

EPK21 PARTS LIST



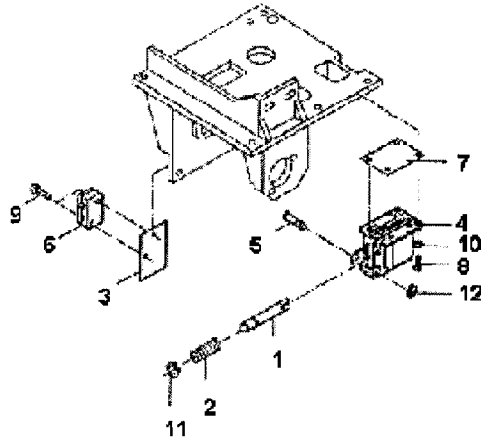
ITEM	GBC#	IBICO#	DESCRIPTION	QTY.
1	7401134	2255	Bracket	1
2	7401130	2247	Strip connector	1
3	1800136	9015	Oval hd. screw	2
4	1800403	9207	Nut	2
5	1800107	9030	Hex cap screw	2
6	7401157	2295	Cable clamp	1
7	7401076	1623	Clip	1
8	N/A	N/A	Retaining ring	1
9	1800516	9619	Slotted spring pin	1
10	1800101	9000	Hex socket hd. cap screw	1
11	7401079	1631	Drive axle	1
12	1800409	9206	Hex thin nut	1
13	1800320	9405	Disc spring	5
14	1800332	9302	Washer	1
15	7401173	2626	Washer	1
16	7401079	1633	Disc	1
17	1800516	9619	Slotted spring pin	1
18	1800312	9301	Washer	1
19	7401189	2651	Looped spring	1
20	1800408	9204	Hex thin nut	1
21	7401177	2629	Stop lever	1
22	7401178	2630	Eccentric screw	1
23	1800323	9411	Curved spring	1

EPK21 PARTS LIST



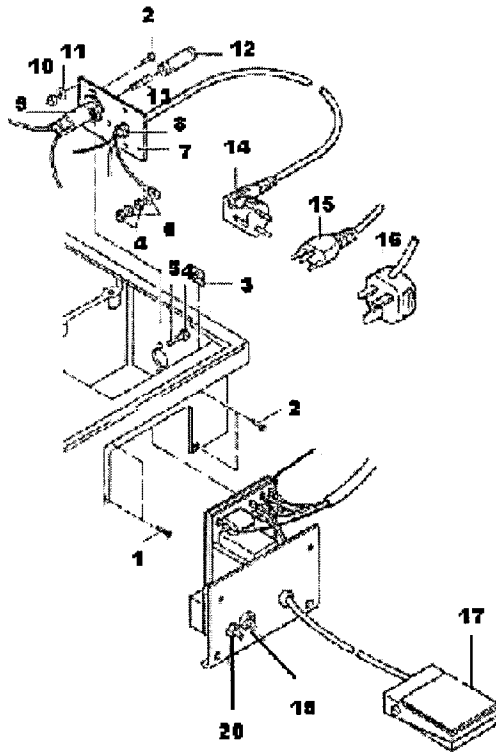
ITEM	GBC#	IBICO#	DESCRIPTION	QTY.
1	7401222	1284	Motor 115v	1
2	7401053	1218	Gear chassis , cpl.	1
3	7401057	1229	Stop arm , pre-ass.	1
4	7401059	1247	Worm gear , cpl.	1
5	7401099	2205	Sleeve	1
6	7401101	2206	Axle	1
7	7401110	2214	Cam	1
8	7401117	2233	Eccentric bolt	1
9	7401121	2235	Flange bearing	1
10	7401127	2242	Pressure spring	2
11	1800175	9111	Hex socket hd cap screw	1
12	1800140	9021	Countersunk hd screw	2
13	1800409	9206	Hex thin nut	1
14	1800408	9204	Hex thin nut	1
15	1800463	9514	Retaining washer , loose	1
16	1800513	9603	Parallel pin	2
17	1800515	9616	Spiral pin	1
18	N/A	N/A	Receptacle , flat	3
19	1800134	9012	Hex socket hd. cap screw	4
20	1800314	9307	Shim ring	1
21	1800315	9308	Shim ring	1
22	1800306	9309	Shim ring	1

EPK21 PARTS LIST



ITEM	GBC#	IBICO#	DESCRIPTION	QTY.
1	7401112	2221	Clutch bolt	1
2	7401128	2243	Pressure spring	1
3	7401132	2253	Insulation plate	1
4	7401146	2276	Lifting magnet	1
5	7401152	2284	Bolt	1
6	7401160	2602	Microswitch	1
7	7401171	2622	Magnet base	1
8	1800107	9030	Duo-tap screw	4
9	1800147	9032	Duo-tap screw	2
10	1800321	9408	Curved spring washer	4
11	1800461	9501	Retaining ring	1
12	1800467	9509	Grip ring	1

EPK21 PARTS LIST



ITEM	GBC#	IBICO#	DESCRIPTION	QTY.
1	1800138	9017	Countersunk hd. screw	2
2	1800137	9018	Countersunk hd. screw	2
3	7401198	2678	Ground symbol	1
4	1800407	9203	Hex thin nut	1
5	1800142	9025	Slotted countersunk screw	1
6	1800321	9408	Spring lock washer	2
7	7401126	2241	Cable holder plate	1
8	7401150	2280	Cable feed - through	1
9	7401247	N/A	Fuse holder	1
10	1800407	9203	Hex thin nut	1
11	1800321	9408	Curved spring lock washer	1
12	N/A	N/A	Fuse cap	
13	N/A	N/A	Fuse 6.3 A	1
14	7401225	2650	Power cord 115v	1
15	N/A	2651	Power cord Swiss	1
16	N/A	2652	Power cord UK	1
17	7401228	1252	Foot pedal	1
18	7401227	1250	P.C. board	1
19	7401159	2600	On/Off switch	1
20	7401154	2287	Circuit breaker	1