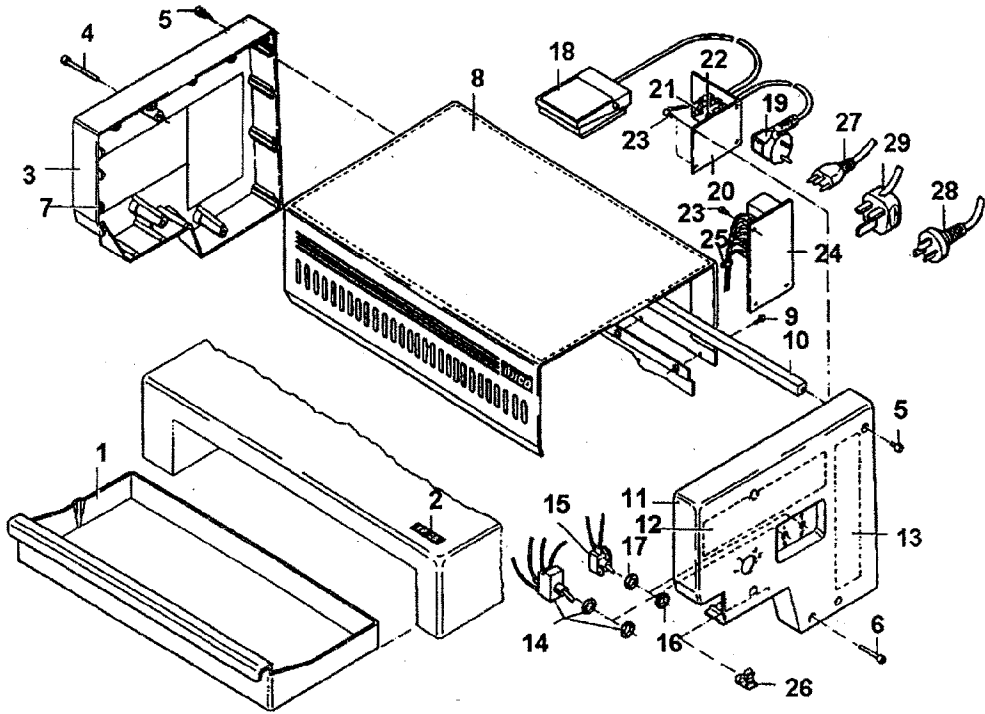
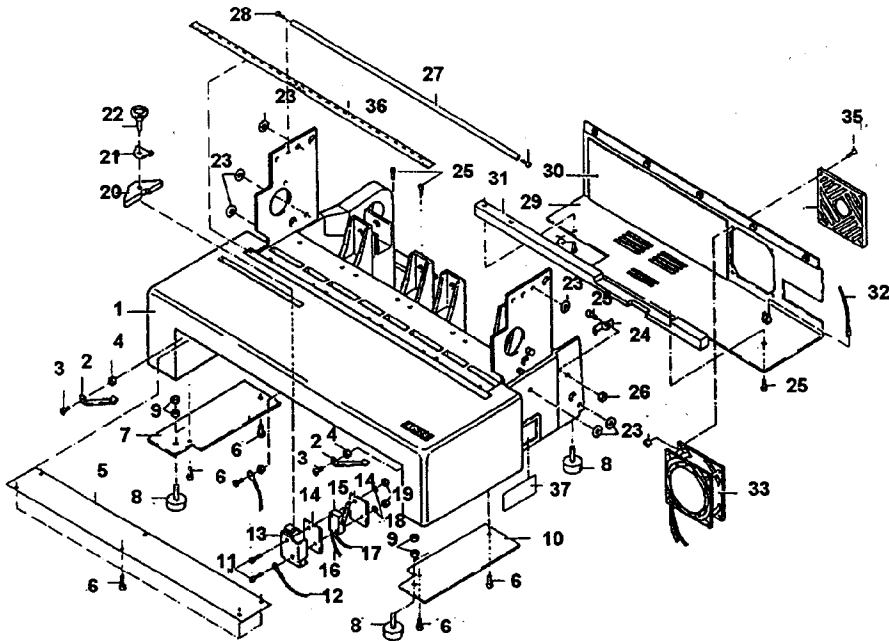


# EP28



ITEM	IBICO#	GBC#	DESCRIPTION	QTY.
1	2801	7403030	DRAWER	1
2	2084	7403020	LOGO TYPE EP28	1
3	1800	7403005	SIDE COVER PLATE, LEFT	1
4	9053	1800204	HEX SOCKET HEAD CAP	1
5	9051	1800116	HEX SOCKET SCREW	2
6	9053	1800204	HEX SOCKET HEAD CAP	2
7	2833	7403059	ABSORPTION STRIP	12
8	1822	7403007	COVER	1
9	9030	1800107	DUO-TAP SCREW	6
10	2809	7403038	TRANVERSE SUPPORT TOP	1
11	2834	7403105	SIDE COVER PLATE, RIGHT	1
12	2984	7403097	SOUND INSULATION	1
13	2985	7403098	SOUND INSULATION	1
14	1847	7403015	SWITCH I-O CPL.	1
15	1829	7403009	SWITCH F-T CPL.	1
16	2991	7403101	ROUND NUT	1
17	2992	7403102	HEX NUT	1
18	1839	7403012	FOOT SWITCH CPL.	1
19	1933	7403016	MAIN CORD (230 V)	1
20	1846	7403014	CABLE CLAMP BRACKET	1
21	2280	7401150	CABLE RUN	1
22	2225	7402175	CABLE RUN	1
23	9000	1800101	HEX SOCKET HEAD CAP	1
24	1826	7403008	PC BOARD	1
25	2835	7402627	CABLE FASTENER	2
26	3984	7403104	CABLE CLAMP	1
27	1935	7403017	MAIN CORD SWISS (230 V)	1
28	1939	7403019	MAIN CORD AUSTRALIA	1
29	1936	7403018	MAIN CORD GB	1

# EP-28

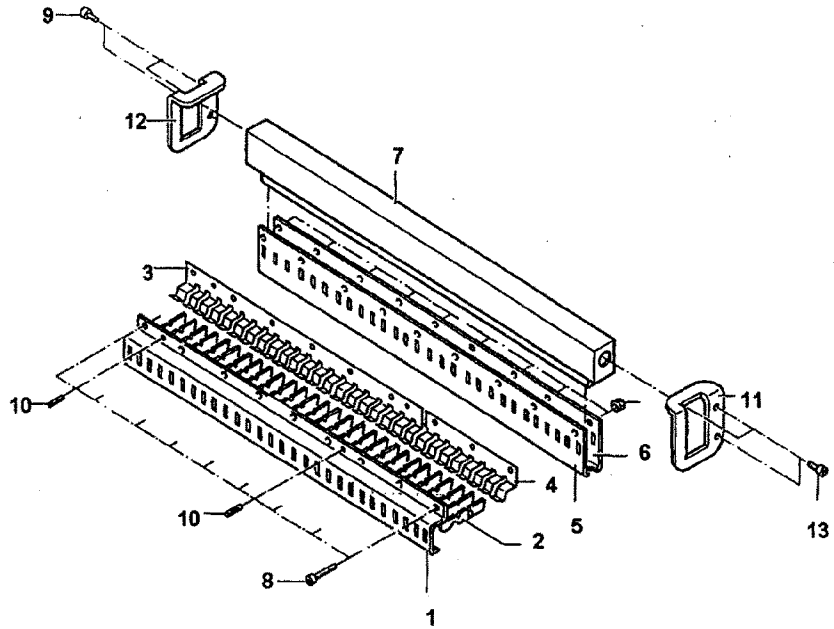


ITEM	IBICO#	GBC#	DESCRIPTION	QTY
1	2894	7403091	CHASSIS	1
2	2829	7403056	STOP SPRING	2
3	9021	1800140	COUNTER SUNK SCREW	2
4	9204	1800408	HEX THIN NUT	2
5	2802	7403031	COVER SHEET	1
6	9028	1800106	DUO-TAP SCREW	4
7	2898	7403099	DRAWER GUIDE, LEFT	1
8	2830	7403057	BUFFER	4
9	9206	1800409	HEX NUT	4
10	2897	7403092	DRAWER GUIDE, RIGHT	1
11	9076	1800208	SCREW	2
12	1271	7403004	GROUND CABLE	1
13	1261	7403002	PROTECTIVE COVER	1
14	2661	7403029	COVER PLATE	1
15	2659	7403027	MICROSWITCH	1
16	2891	7403090	STRANDED WIRE, BROWN	1
17	2890	7403089	STRANDED WIRE, BLUE	1
18	9408	1800321	CURVED SPRING WASHER	2
19	9203	1800407	HEX THIN NUT	2
20	2660	7403028	STOP	1
21	2616	7403026	MS-CLAMP	1
22	2159	7400523	ADJUSTING SCREW	1
23	2254	7401133	RUBBER PLATE	6
24	2858	7403074	CABLE CLAMP	1
25	9002	1800102	HEX SOCKET HD CAP	2

## EP-28

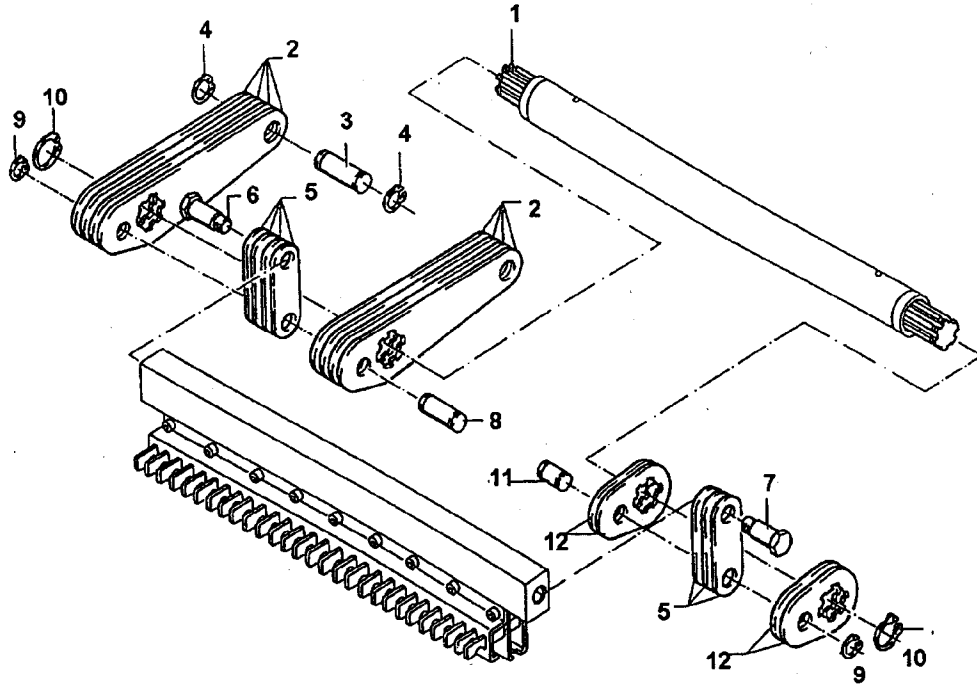
26	9205	1800402	HEX THIN NUT	1
27	2806	7403035	DISTANCE AXLE	1
28	9000	1800101	HEX SOCKET HD CAP	2
29	1242	7403000	COVER BRACKET	1
30	2989	7403100	SOUND INSULATION	1
31	2810	7403039	TRANSVERSE SUPPORT , BTM.	1
32	1270	7403003	GROUND CABLE	1
33	1254	7403001	FAN	1
34	2995	7403103	FAN COVER	1
35	9146	1800209	COUNTER SUNK SCREW	4
36	2831	7403058	SCALE 28 IBICO	1
37	2825	7403054	TYPE LABEL EP-28	1

EP-28



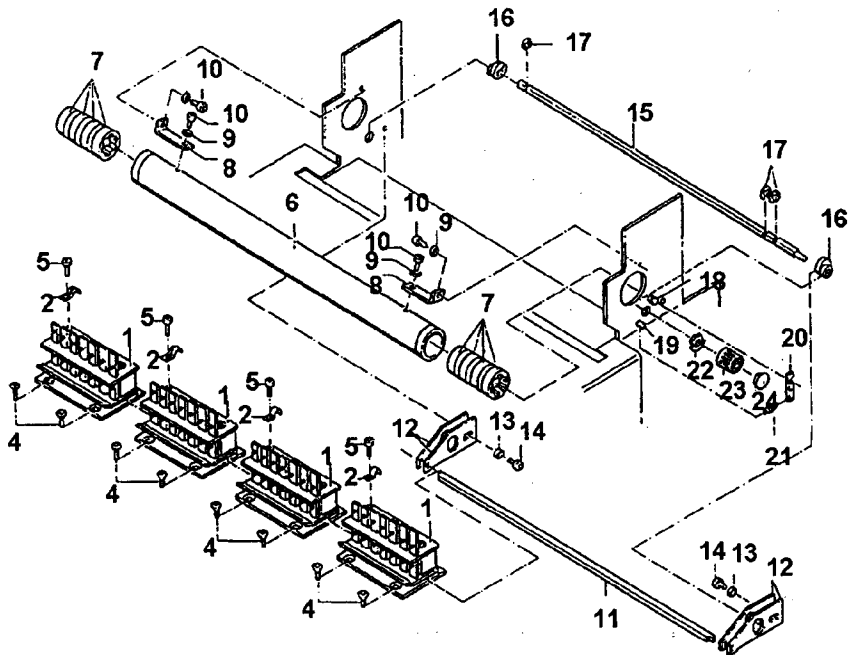
ITEM	IBICO#	GBC#	DESCRIPTION	QTY.
1	2949	7403096	GUIDE	1
2	2133	7400630	SLIDE	1
3	2132	7400628	SPRING	1
4	2837	7403061	SPRING	1
5	2821	7403050	BRACKET,FRONT	1
6	2405	7403024	BRACKET,BACK	1
7	2836	7403060	PRESSURE BAR	1
8	9060	1800206	HEX SCREW	9
9	9217	1800404	HEX STOP TOOTH NUT	9
10	9619	1800516	SLOTTED SPRING PIN	2
11	2822	7403051	PRESSURE BAR HLDER,LEFT	1
12	2823	7403052	PRESSURE BAR HLDER,RIGHT	1
13	9002	1800102	HEX SOCKET HD CAP	4

EP-28



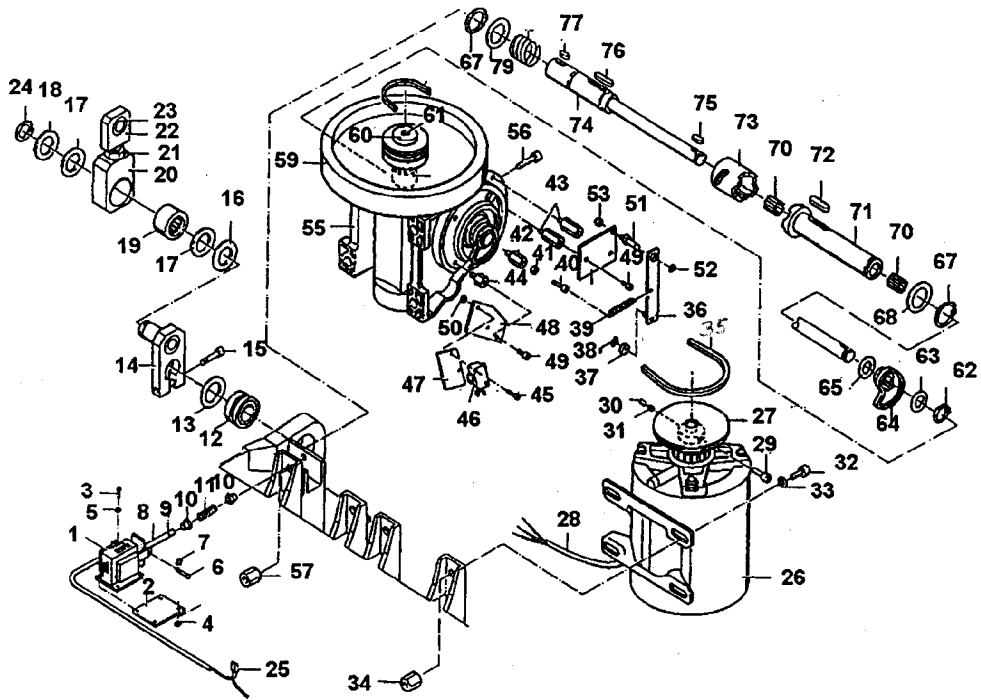
ITEM	IBICO#	GBC#	DESCRIPTION	QTY.
1	2870	7403081	SPLINE SHAFT	1
2	2871	7403082	KEYWAY LEVER, SHORT	4
3	2812	7403041	SEESAW PIN	1
4	9518	1800471	RETAINING RING	2
5	2814	7403043	CLIP	4
6	2808	7403037	FITTING SCREW, LEFT	1
7	2807	7403036	FITTING SCREW, RIGHT	1
8	2872	7403083	BOLT	1
9	9504	1800455	RETAINING RING	2
10	9519	1800472	RETAINING RING	2
11	2811	7403040	BOLT , RIGHT	1
12	2813	7403042	KEYWAY LEVER,SHORT	2

EP-28



ITEM	IBICO#	GBC#	DESCRIPTION	QTY.
1	1844	7403013	PUNCHING BLOCK COMPLETE	4
2	2295	7401157	CABLE CLAMP	4
3	2294	7401156	CABLE CLAMP	2
4	9024	1800105	COUNTERSUNK HEAD SCREW	4
5	9002	1800102	HEX SOCKET HEAD CAP	4
6	2803	7403032	BEARING TUBE	1
7	2804	7403033	BEARING	6
8	2805	7403034	TUBE BRACKET	2
9	9300	1800311	WASHER	4
10	9050	1800115	HEX SOCKET HD CAP	2
11	2815	7403044	PAPER STOP	1
12	2816	7403045	PAPER STOP SLIDE	4
13	2817	7403046	BUSHING	2
14	9002	1800102	HEX SOCKET HD CAP	2
15	2818	7403047	SQUARE AXLE	1
16	2820	7403049	ECCENTRIC BEARING	2
17	9510	1800468	RETAINING WASHER	3
18	2120	7403021	BOLT	1
19	2121	7403022	SPRING BOLT	1
20	1141	7400601	STOP LEVER CPL.	1
21	2155	7400613	TENSION SPRING	1
22	2819	7403048	STOP WHEEL	1
23	2345	7400651	CONTROL KNOB	1
24	2261	7400653	KNOB COVER	1

EP-28



ITEM	IBICO#	GBC#	DESCRIPTION	QTY.
1	2277	7401147	SOLENIOD	1
2	2622	7401171	SOLENIOD BASE	1
3	9015	1800136	SCREW	1
4	9203	1800407	HEX NUT	1
5	9408	1800321	CURVED SPRING WASHER	1
6	2284	7401152	BOLT	1
7	9514	1800463	GRIP RING	1
8	2828	7403055	CLUTCH PIN	1
9	9501	1800461	RETAINING RING	1
10	2256	7403023	BUSHING GUIDE	2
11	2243	7401128	PRESSURE SPRING	1
12	9706	1800554	NEEDLE BEARING	1
13	9320	1800334	DISTANCE PLATE	1
14	1807	7403006	CRANK PLATE PRE-ASS.	1
15	9062	1800207	HEX SOCKET SCREW	1
16	2875	7403086	WASHER	1
17	2874	7403085	DISTANCE PLATE	2
18	2876	7403087	WASHER	1
19	9705	1800556	NEEDLE BEARING	1
20	2873	7403084	CONNECTING PLATE	1
21	9213	1800414	HEX THIN NUT	1
22	2915	7403094	SWIREL HEAD	1
23	2916	7403095	SLIDING BEARING	1
24	9516	1800470	RETAINING RING	1
25	2883	7403088	STRANDED CABLE	1
26	2866	7403080	MOTOR 115V/220V	1
27	2862	7403078	PINION	1

## EP-28

28	1837	7403011	STRANDED CABLE MOTOR	1
29	9012	1800134	HEX SOCKET SCREW	1
30	9036	1800200	HEX SOCKET SCREW	1
31	9039	1800201	HEX SOCKET SET SCREW	1
32	9047	1800202	HEX SOCKET HD CAP SCREW	4
33	9306	1800305	DISTANCE PLATE	4
34	2863	7403079	HEX NUT	4
35	2824	7403053	POLYFLEX BELT	1
36	1835	7403010	LEVER CPL.	1
37	2232	7401116	ROLL	1
38	9507	1800469	RETAINING WASHER	1
39	2913	7403093	TENSION SPRING	1
40	9011	1800110	HEX SOCKET HD SCREW	1
41	9205	1800402	HEX THIN NUT	1
42	2854	7403070	SCREW	1
43	2855	7403071	SCREW	2
44	2861	7403077	SCREW	1
45	9015	1800136	SCREW	2
46	2603	7401161	MICROSWITCH	1
47	2253	7401132	INSULATION PLATE	1
48	2853	7403069	PCB FOR MICRO SWITCH	1
49	9002	1800102	HEX SOCKET HD CAP SCREW	1
50	9207	1800403	NUT	1
51	2233	7401117	ECCENTRIC BOLT	1
52	9500	1800454	RETAINING RING	1
53	9206	1800409	HEX THIN NUT	1
54	2849	7403065	PCB FOR STOP ARM	1
55	2846	7403062	WORM GEAR	1
56	9048	1800203	HEX SOCKET HD CAP SCREW	1
57	2856	7403072	HEX THIN NUT	1
58	2857	7403073	DISTANCE TUBE ,GEAR	1
59	2847	7403063	FLY WHEEL	1
60	2848	7403064	THRUST WASHER	1
61	9057	1800205	HEX SOCKET HD CAP SCREW	1
62	9504	1800455	RETAINING RING	1
63	9307	1800314	SHIM RING	1
64	2859	7403075	MICRO ECCENTER	1
65	9308	1800315	SHIM RING	1
66	9309	1800306	SHIM RING	1
67	9519	1800472	RETAINING RING	1
68	9334	1800335	SHIM RING	1
69	9335	1800336	SHIM RING	1
70	9704	1800555	NEEDLE RING	2
71	2851	7403067	GEAR SLEEVE	1
72	9627	1800528	FITTING SPRING	1
73	2852	7403068	CLUTCH SLEEVE	1
74	2850	7403066	CLUTCH AXLE	1
75	9633	1800530	FITTING SPRING	1
76	9634	1800531	FITTING SPRING	1
77	9628	1800529	FITTING SPRING	1
78	2860	7403076	PRESSURE SPRING	1
79	9312	1800333	SHIM RING	1