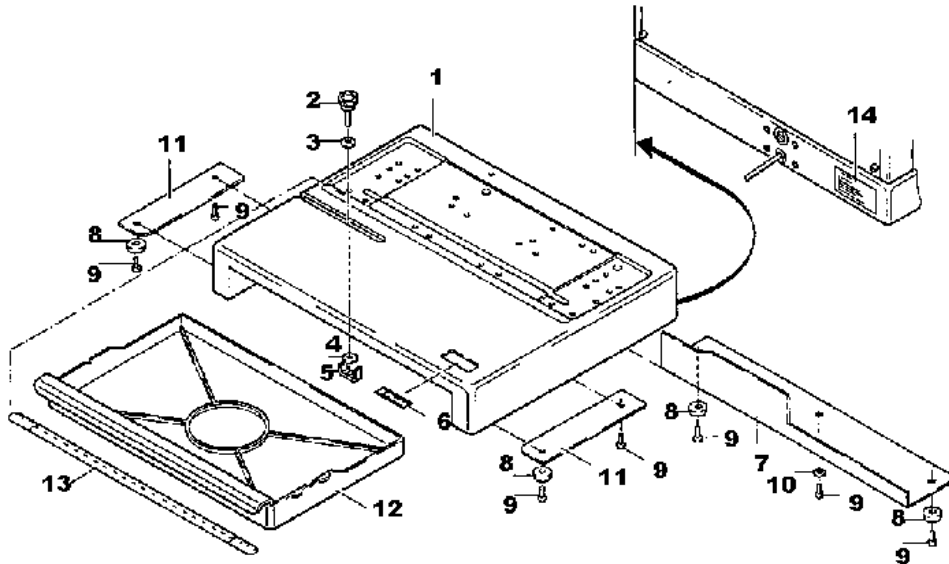
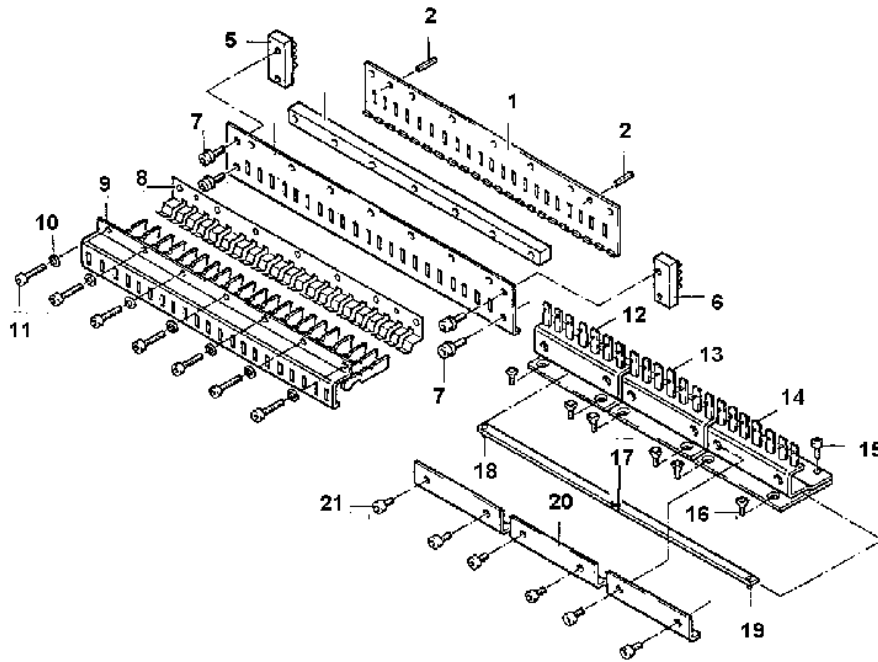


# E-KOMBO



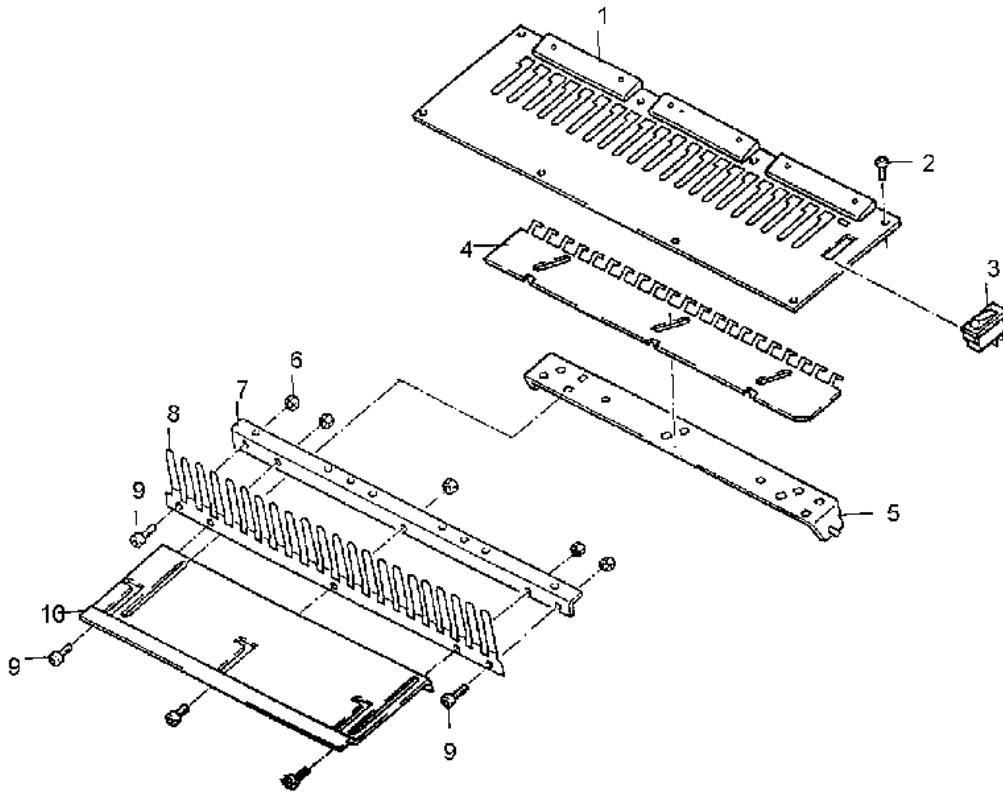
ITEM	GBC#	IBICO#	DESCRIPTION	QTY.
1	7402182	3700	CHASSIS	1
2	7400523	2159	ADJUSTING SCREW	1
3	7400524	2161	WASHER	1
4	1800301	9303	WASHER	1
5	7402174	2160	STOP	1
6	7402212	3780	LOGO TYPE E-KOMBO	1
7	7402205	3745	COVER FOR ELECTRONIC	1
8	7400521	2182	RUBBER FOOT	4
9	1800106	9028	SCREW	4
10	1800313	9304	WASHER	4
11	7400520	2320	DRAWER GUIDE	2
12	7400661	2337	DRAWER	1
13	7402169	2105	SCALE 21 IBICO	1
14	7402213	3781	MACHINE SERIAL NUMBER	1

## E-KOMBO



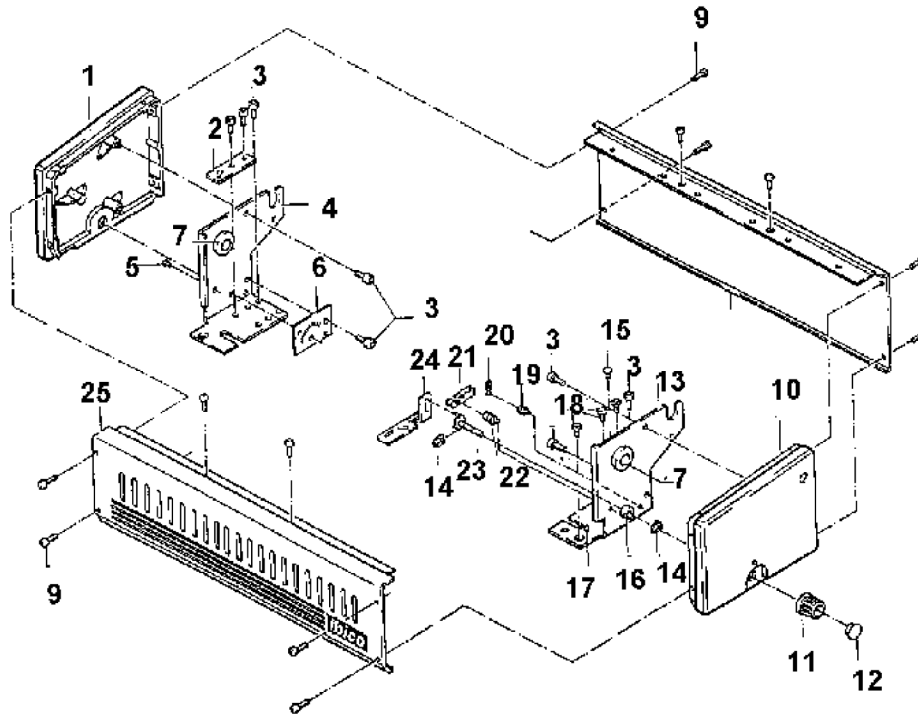
ITEM	GBC#	IBICO#	DESCRIPTION	QTY.
1	7400625	2129	BRACKET BACK	1
2	1800516	9619	SLOTTED SPRING PIN	2
3	7400626	3739	ROD	1
4	7400627	2128	BRACKET , FRONT	1
5	7402171	2135	TOOTHED RACK, LEFT	1
6	7402170	2134	TOOTHED RACK, RIGHT	1
7	1800149	9063	SAFETY SCREW	4
8	7400628	2132	SPRING	1
9	7400629	2130	GUIDE	1
10	1800308	9400	SPRING LOCK WASHER	7
11	1800175	9111	HEX SOCKET SCREW	7
12	7402139	2611	PUNCH BLOCK , LEFT	1
13	7400510	1036	PUNCH BLOCK , CENTER	1
14	7402138	2610	PUNCH BLOCK , RIGHT	1
15	1800103	9003	HEX SOCKET HEAD	6
16	1800105	9024	COUNTER SUNK SCREW	6
17	7400621	2152	PAPER STOP 21	1
18	1800501	9604	PARALLEL PIN	1
19	1800504	9605	PARALLEL PIN	1
20	7402191	3716	PAPER STOP	3
21	1800106	9028	DUO-TAP SCREW	6

# E-KOMBO



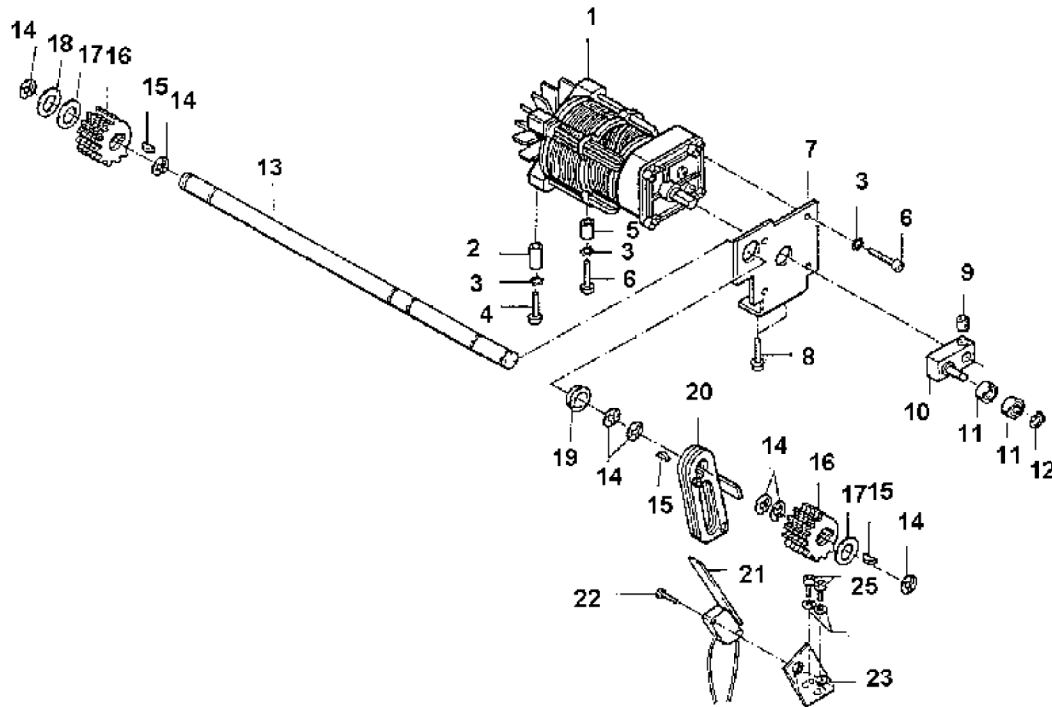
ITEM	GBC#	IBICO#	DESCRIPTION	QTY.
1	7402135	2601	COVER PLATE	1
2	1800107	9030	DUO-TAP SCREW	4
3	7402206	3760	SWITCH	
1				
4	7400542	2303	SLIDE	1
5	7402133	1330	CARRIER	1
6	7400505	9217	HEX STOP TOOTH NUT	5
7	7400505	2311	BRACKET	1
8	7400505	2310	COMB 21	1
9	1800101	9000	HEX SOCKET HEAD CAP	5
10	7400505	2302	GUIDE PLATE	1

# E-KOMBO



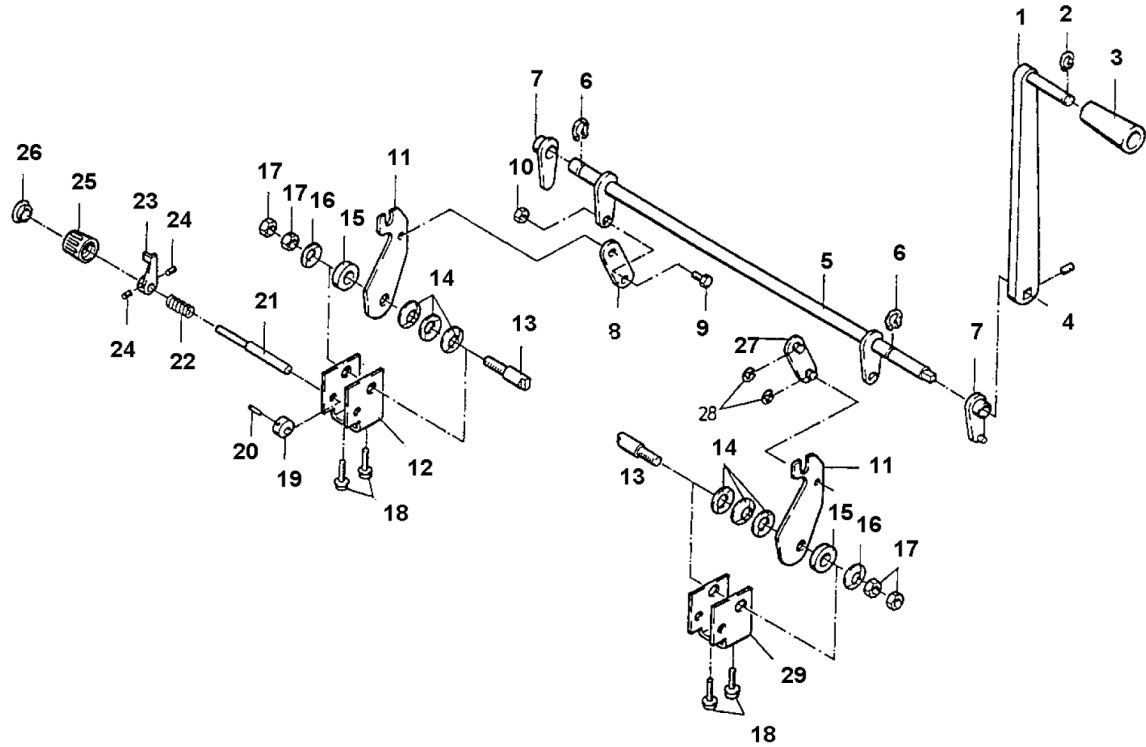
ITEM	GBC#	IBICO#	DESCRIPTION	QTY.
1	7402177	2308	COVER PLATE , LEFT	1
2	7402173	2152	PAPER STOP GUIDE	1
3	1800102	9002	HEX SOCKET HEAD CAP	8
4	7402186	3710	BEARING BRACKET , LEFT	1
5	1800503	9602	PIPE RIVET	2
6	7400618	2323	SMALL STOP PLATE	1
7	7400611	2122	BEARING BUSHING	2
8	7400598	1335	BACK COVER	1
9	1800107	9030	DUO-TAP SCREW	12
10	7402185	3709	COVER PLATE , PLATE	1
11	7400652	2260	KNOB	1
12	7400653	2261	KNOB COVER	1
13	7402187	3711	BEARING BRACKET , RIGHT	1
14	1800454	9500	RETAINING RING	1
15	7400608	2119	GUIDE SCREW	1
16	7400612	2145	BEARING	1
17	1800501	9604	PARALLEL PIN	1
18	1800105	9024	COUNTER HDEAD SCREW	3
19	7400610	2124	SPRING BOLT	1
20	7400613	2155	TENSION SPRING	1
21	7400601	1141	STOP LEVER	1
22	7400609	2123	BOLT	1
23	7400607	1150	STOP AXLE	1
24	7402172	2151	PAPER STOP SLIDE	1
25	7400599	1334	FRONT COVER	1

## E-KOMBO



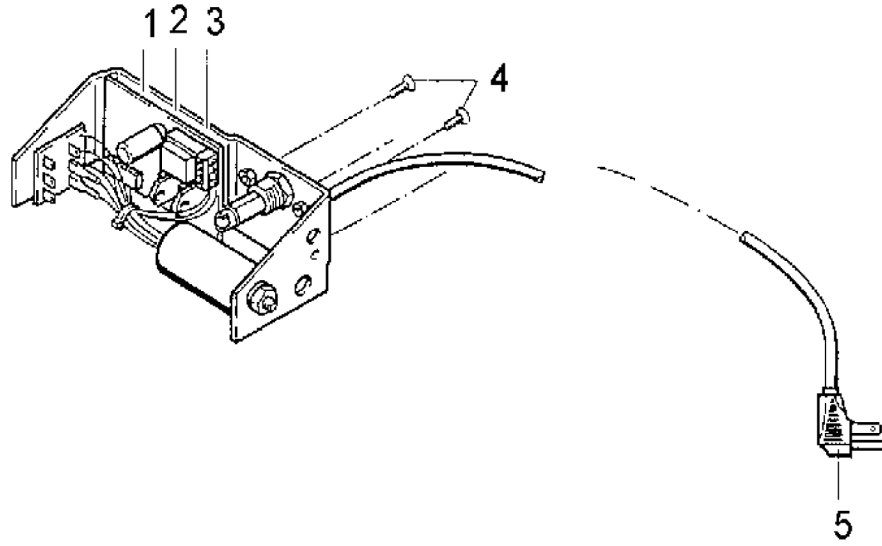
TEM	GBC#	IBICO#	DESCRIPTION	QTY.
1	7402154	2631	MOTOR WITH GEAR 110V	1
1.1	7402155	2632	MOTOR WITH GEAR 230/240 V	1
2	7402197	3731	DISTANCE BUSHING , LONG	1
3	1800326	9415	TOOTHED LOCKED WASHER	2
4	1800177	9114	HEX SOCKET HEAD SCREW	3
5	7402199	3732	DISTANCE BUSHING , SHORT	1
6	1800175	9111	HEX SOCKET HEAD CAP SCREW	2
7	7402195	3730	MOTOR RECEPTER	1
8	1800150	9064	SAFETY SCREW	1
9	1800465	9037	HEX SOCKET HEAD CAP SCREW	1
10	7402158	2634	CRANK FOR MOTOR PRE-ASS	1
11	7402208	3764	GROOVE BALL BEARING	2
12	1800452	9502	RETAINING RING	1
13	7402188	3714	AXLE (DRIVING)	1
14	1800465	9525	HALFMOON RETAINING RING	2
15	1800508	9624	WOODRUFF KEY	2
16	7402189	3715	TOOTH SEGMENT	5
17	1800306	9309	SHIM RING	2
18	1800315	9308	SHIM RING	1
19	7402202	3737	FLANGE BUSHING	1
20	7402160	2635	LEVER	1
21	7402163	2642	MICRO-SWITCH	1
22	1800148	9049	SCREW	2
23	7402162	2641	MICRO-SWITCH BRACKET	1
24	1800312	9301	WASHER	2
25	1800101	9000	HEX SOCKET HEAD SCREW	2

# E-KOMBO



ITEM	GBC#	IBICO#	DESCRIPTION	QTY.
1	7402143	3719	LEVER ASS.	1
2	7402143	9500	RETAINING RING	1
3	7402143	2643	HANDLE	1
4	7402143	9115	HEX SOCKET HEAD SCREW	1
5	7402145	2621	AXLE	1
6	1800452	9503	RETAINING RING	2
7	7402193	3721	BEARING FOR AXLE	2
8	7402147	2624	CONNECTING LEVER	1
9	7401188	2650	ECCENTRIC SCREW	1
10	1800402	9205	HEX THIN NUT	1
11	7402194	3726	HINGE	2
12	7400640	2306	HOLDER , LEFT	1
13	7400641	2316	BOLT	2
14	1800303	9406	DISC SPRING , SOFT	6
15	7400643	2317	WASHER	2
16	1800305	9306	DISTANCE PLATE	2
17	1800401	9201	HEX NUT	4
18	1800150	9064	SAFETY SCREW	4
19	7400649	2318	ECCENTER	1
20	1800507	9613	SPIRAL PIN	1
21	7400644	2329	AXLE	1
22	7400648	2343	PRESSURE SPRING	1
23	7400645	1326	STOP LEVER	1
24	1800112	9042	HEX SOCKET HEAD SCREW	2
25	7400651	2345	CONTROL KNOB	1
26	7400653	2261	KNOB COVER	1
27	7402150	2625	CONNECTION LEVER	1
28	1800467	9509	RETAINING WASHER	2
29	7400650	2312	HOLDER , RIGHT	1

## E-KOMBO



ITEM	GBC#	IBICO#	DESCRIPTION	QTY.
1	7402151	2626	BRACKET WITH ELECTRONIC (240V)	1
2	7402152	2627	BRACKET WITH ELECTRONIC (115V)	1
3	N/A	2628	BRACKET WITH ELECTRONIC (230V)	1
4	1800161	9084	COUNTER SUNK SCREWS	4
5	7401031	2648	POWER CORD (115V)	1