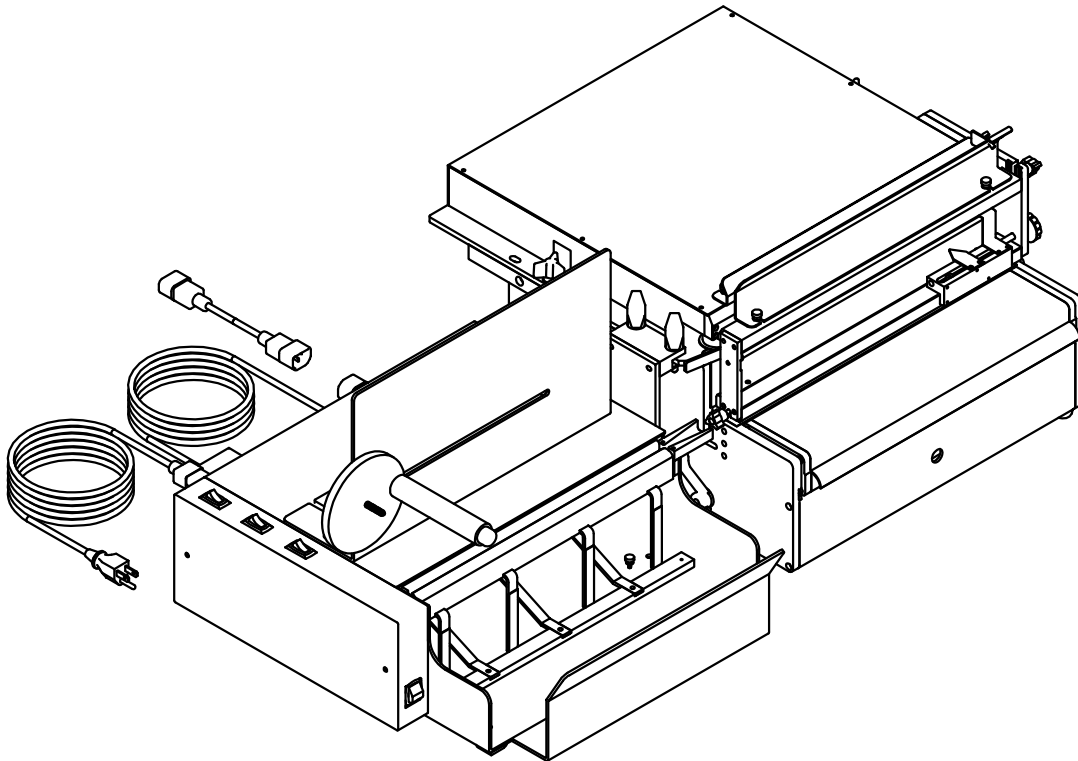


PDI Performance Design Inc.

**APES-14 PARTS
APES-14-77 BOOK**
(230 volt CE included)

Rhin-O-Tuff Auto Paper Eject Stacker
Release: Preliminary

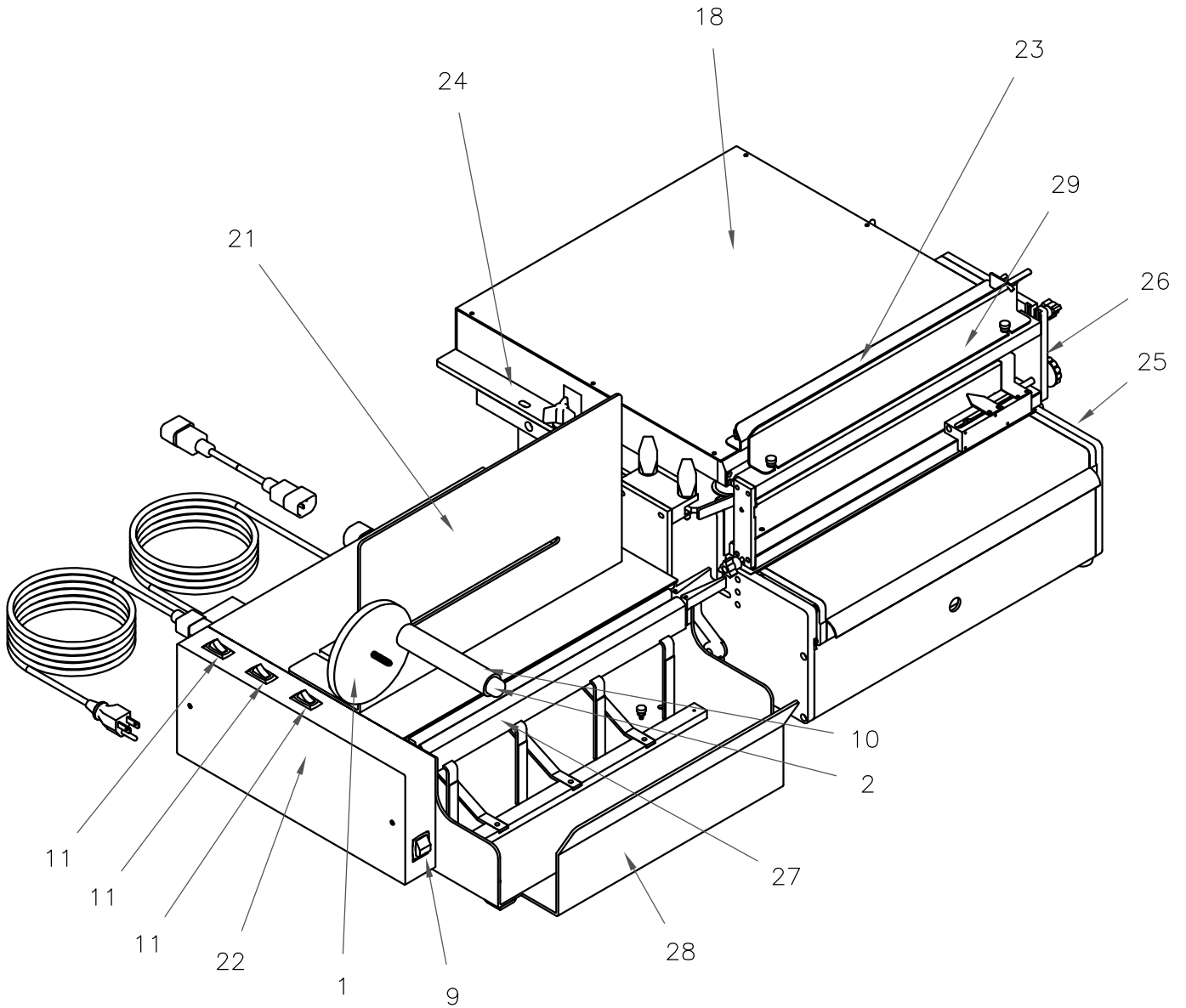


Mailing Address: 2350 E. Braniff, Boise, Idaho 83716-9613
Telephone: 800-390-5782
Fax: 800-390-5783
Electronic Mail: PDI@PDIBIND.com
Web Site: www.RHIN-O-TUFF.com

APES-14 PARTS BOOK

Page 1

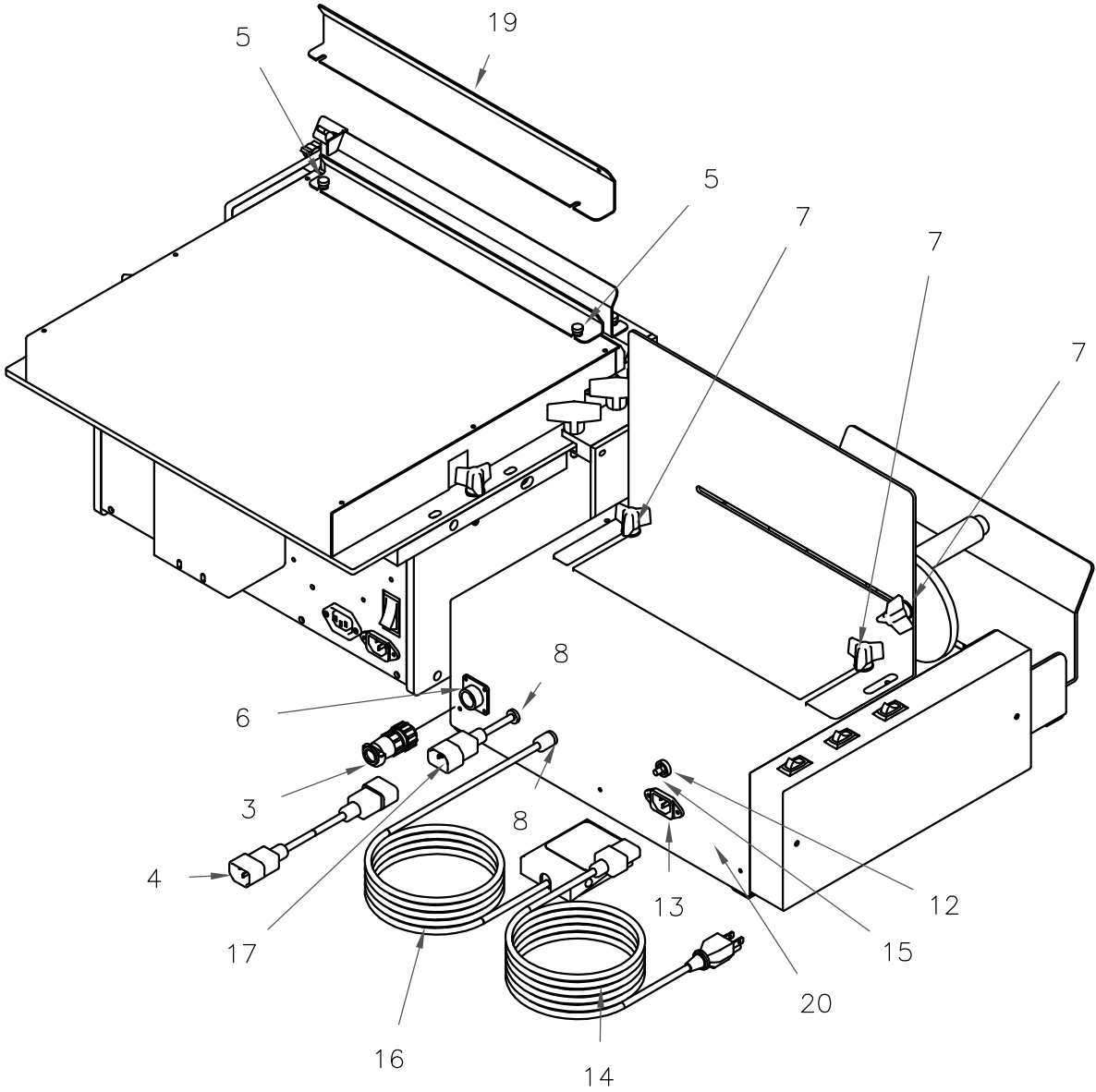
Assembly, Main (front view) APES-14
Assembly, Main (front view) APES-14-77



APES-14 PARTS BOOK

Page 2

Assembly, Main (rear view) APES-14
Assembly, Main (rear view) APES-14-77



APES-14 PARTS BOOK

Page 3

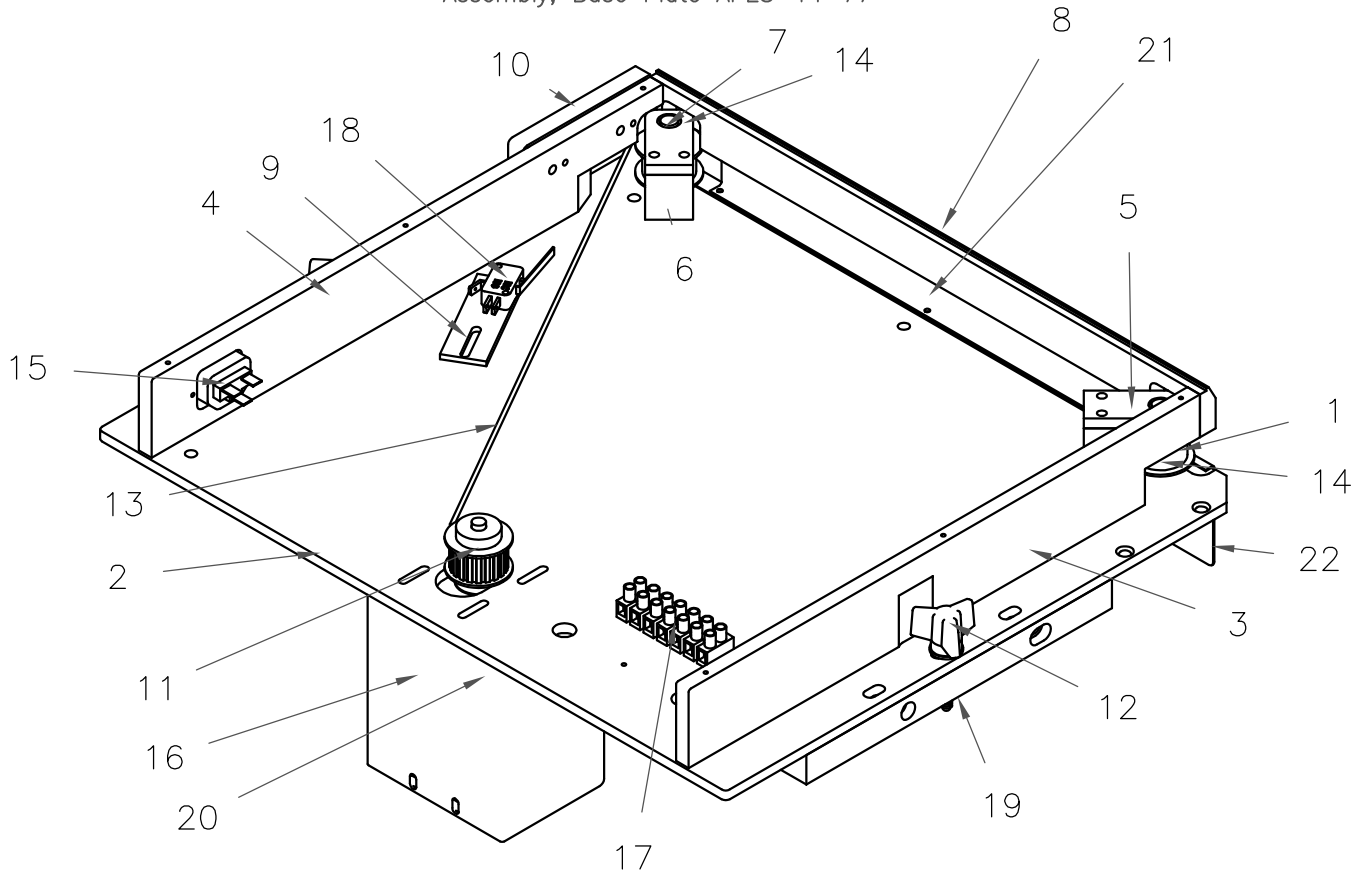
Assembly, Main (part list) APES-14
 Assembly, Main (part list) APES-14-77

Main Assembly				
ITEM	QTY	PART NUMBER	NAME	NOTE
1	1	000619	CAM, PAPER STOP	
2	1	000621	STOP, PAPER GUIDE	
3	1	000654	RECEPTION CABLE ASSEMBLY	CABLE NOT SHOWN
4	1	000660	ASSEMBLY, CORD ADAPTER	USED ONLY ON NON-UL HD7000 & HD6500
5	2	001010	3/8" BRASS THUMBSCREW	
6	1	001303	MOUNT, FLANGE	
7	3	001447	KNOB, THREE ARM	
8	2	001487	CORD GRIP	
9	1	001496	SWITCH, ROCKER	USE 001635 LAMP INSTEAD OF ROCKER SWITCH FOR CE VERSION
10	1	001500	GRIP, FOAM	
11	3	001607	SWITCH	
12	1	007000	FUSE HOLDER	USE 007005 FOR CE VERSION
13	1	007050	RECEPTACLE, POWER CORD	USE 008140 QUALTEK FILTER FOR CE VERSION
14	1	007090	CORD, POWER	CALL PDI FOR INTERNATIONAL VERSIONS
15	1	007120	FUSE, MDL 2 AMP SLOW BLOW	USE 007019 1 AMP FOR CE VERSION
16	1	007420	SWITCH, FOOT PEDAL	
17	1	008170	CORD	PLUGS INTO HD MACHINE
18	1	900601	COVER, TOP	USE 900624 FOR APES-14-77
19	1	900603	DEFLECTOR, PAPER TOP FRONT	USED AS REAR DEFLECTOR ONLY WHEN PUNCHING PORTRAIT PAPER
20	1	900605	COVER, TRAY	USE 900629 FOR CE VERSION
21	1	900607	GUIDE, PAPER	
22	1	900611	GUARD, BELT	
23	1	900616	DEFLECTOR, PAPER TOP REAR	
24	1	BASEPLATEASSEMBLY	BASE PLATE ASSEMBLY	SEE PAGE 4
25	1	HD7000	HD7000 PUNCH SHOWN	SEE HD7000, HD7700 MANUAL
26	1	LOWERBRACKETASSEMBLY	LOWER BRACKET ASSEMBLY	SEE PAGE 5 & 6
27	1	PAPERPIVOTASSEMBLY	PAPER PIVOT ASSEMBLY	SEE PAGE 7
28	1	RECEPTIONASSEMBLY	RECEPTION ASSEMBLY	SEE PAGE 8 & 9 & 10
29	1	UPPERBRACKETASSEMBLY	UPPER BRACKET ASSEMBLY	SEE PAGE 11
30	1	001485	RELAY	NOT USED ON CIRCUIT BOARD MACHINE (NOT SHOWN)
31	1	001467	PLC	NOT USED ON CIRCUIT BOARD MACHINE (NOT SHOWN)
32	1	001486	RELAY BASE	NOT USED ON CIRCUIT BOARD MACHINE (NOT SHOWN)
33	1	007047	MOTOR CONTROLLER	NOT USED ON CIRCUIT BOARD MACHINE (NOT SHOWN)
34	1	007161	FUSE, AGC 0.5 AMP FAST BLOW	NOT USED ON CIRCUIT BOARD MACHINE (NOT SHOWN)

APES-14 PARTS BOOK

Page 4

Assembly, Base Plate APES-14
 Assembly, Base Plate APES-14-77

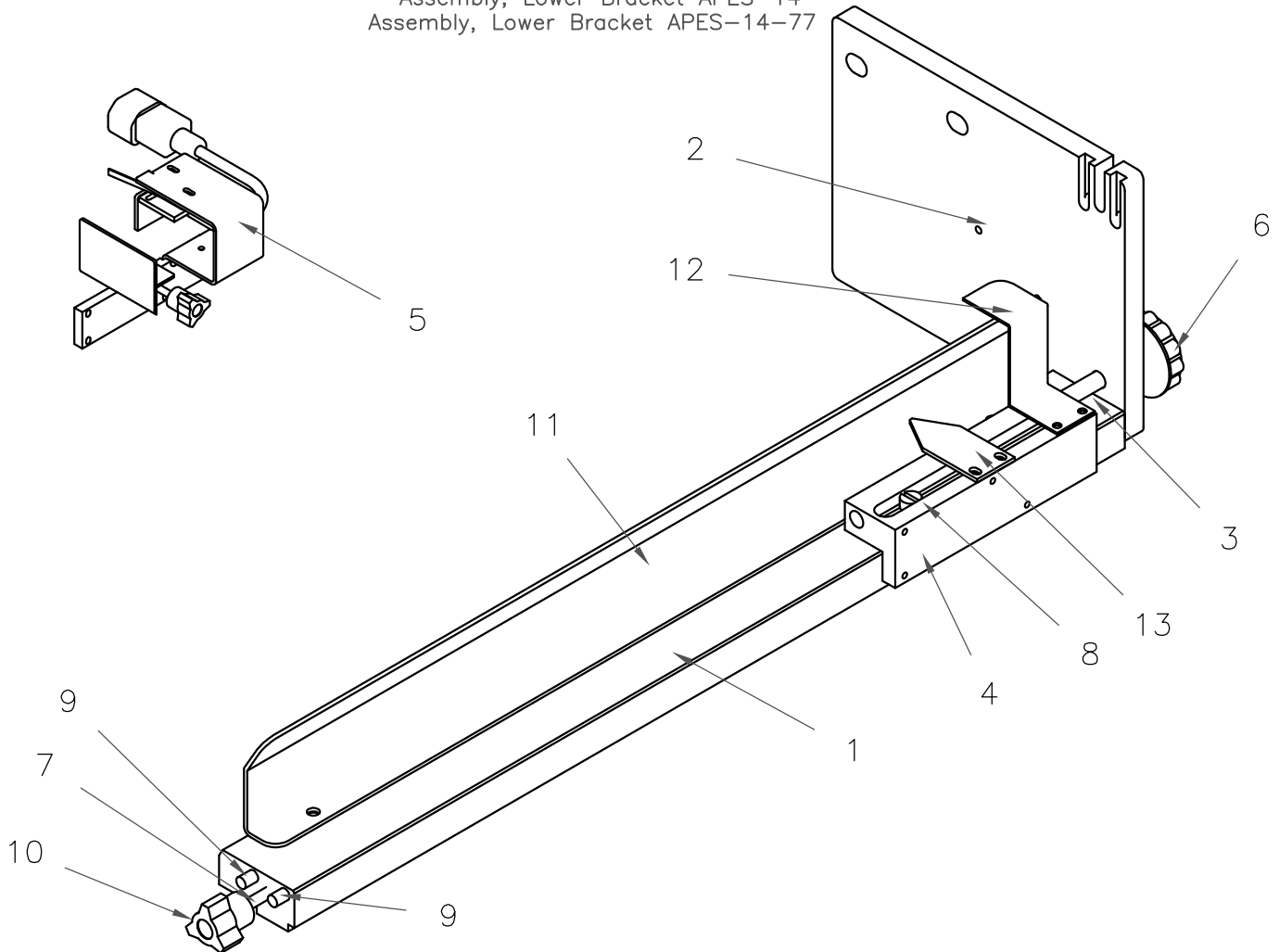


Base Plate Assembly				
ITEM	QTY	PART NUMBER	NAME	NOTE
1	2	000028	PULLEY, EXTRACTION BELT IDLE	
2	1	000601	PLATE, BASE	USE 000634 FOR APES-14-77
3	1	000602	PLATE, LEFT SIDE	USE 000635 FOR APES-14-77
4	1	000603	PLATE, RIGHT SIDE	USE 000636 FOR APES-14-77
5	2	000608	BLOCK, TOP BEARING	
6	2	000609	SPACER, BEARING BLOCK	
7	2	000610	SHAFT IDLER PULLEY	
8	1	000613	GUIDE, BELT FRONT COVER	
9	1	000614	BRACKET, MICROSWITCH	
10	1	000615	SPACER, BRACKET ATTACHMENT PLATE	
11	1	000620	PULLEY, DRIVE	
12	2	001447	KNOB, 3 ARM 1/4"-20 X 3/4"	
13	1	001466	BELT, PAPER EJECTOR	USE 001525 FOR APES-14-77
14	4	001497	3/8" FLANGED BUSHING	
15	1	007040	RECEPTACLE, CORD FOOT PEDAL	
16	1	007062	MOTOR, DC	NOT SHOWN
17	1	007066	STRIP, TERMINAL 8 POLE	
18	1	007960	SWITCH	
19	2	082570	BLOCK, MATE	
20	1	900612	GUARD, MOTOR	
21	1	900613	GUIDE, BELT	
22	1	900614	GUIDE, HD COVER	USE 900623 FOR APES-14-77

APES-14 PARTS BOOK

Page 5

Assembly, Lower Bracket APES-14
 Assembly, Lower Bracket APES-14-77

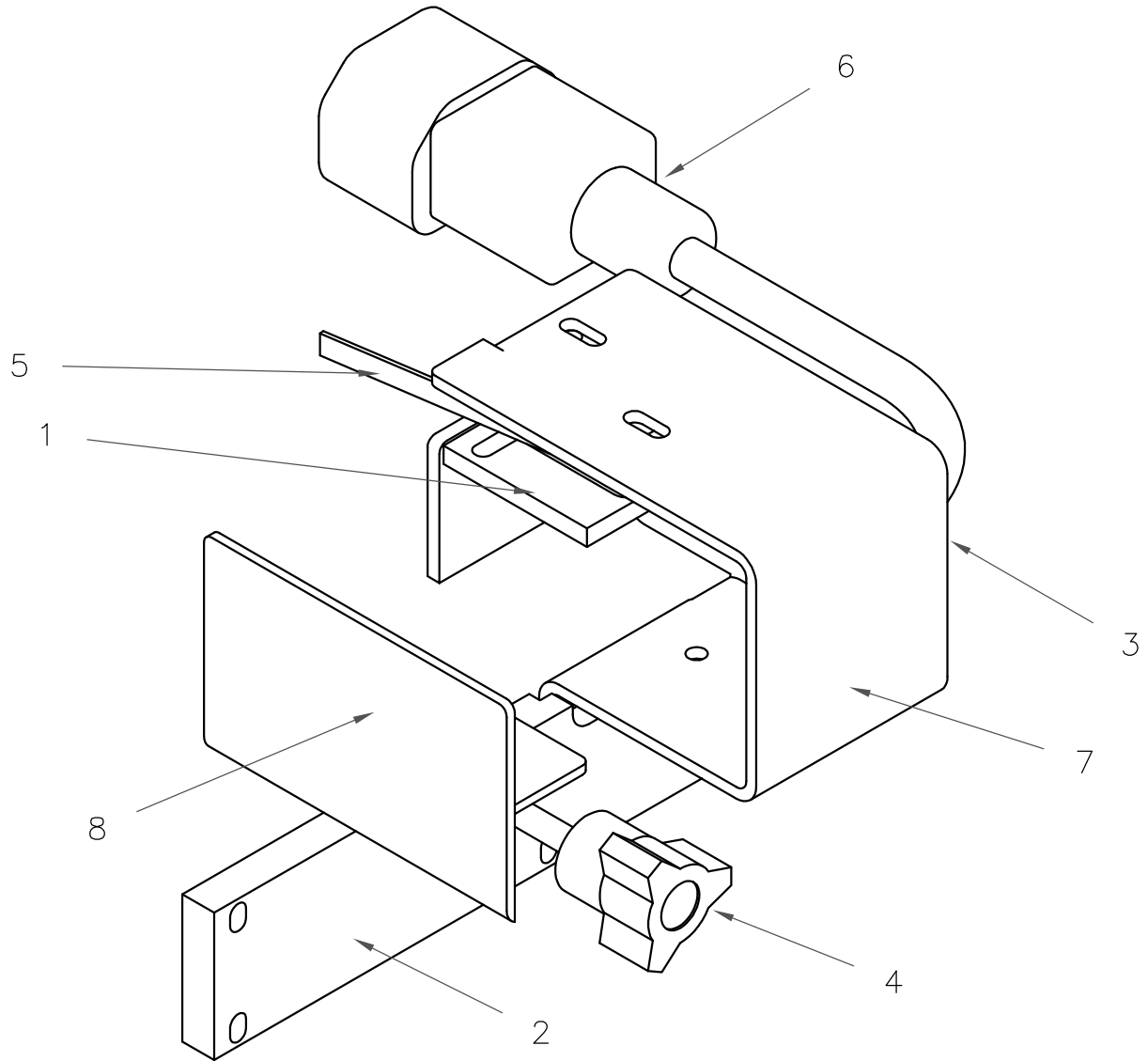


Lower Bracket Assembly				
ITEM	QTY	PART NUMBER	NAME	NOTE
1	1	000605	BRACKET, LOWER PAPER DEFLECTOR	USE 000638 FOR APES-14-77
2	1	000607	PLATE, BRACKET ATTACHMENT	USE 000637 FOR APES-14-77
3	1	000616	PAPER STOP SLIDE SCREW	
4	1	000618	SLIDE, PAPER STOP	
5	1	000670	ASSEMBLY, PAPER STOP SWITCH	SEE PAGE 6
6	1	001428	KNOB, SUREGRIP 1/4"-20 FEMALE	
7	1	001432	STUD, ALL THREAD 8-32 X 1-1/2"	ASSEMBLE WITH PART # 001626
8	2	001484	BOLT, SHOULDER	
9	2	001603	3/16" X 3/4" DOWEL PIN	PRESS FIT INTO ITEM 1
10	1	001626	KNOB, 3 WINGED 8-32	
11	1	900602	DEFLECTOR, LOWER PAPER	USE 900625 FOR APES-14-77
12	1	900610	STOP, PAPER	USE 000626 FOR APES-14-77
13	1	900619	POINTER	

APES-14 PARTS BOOK

Page 6

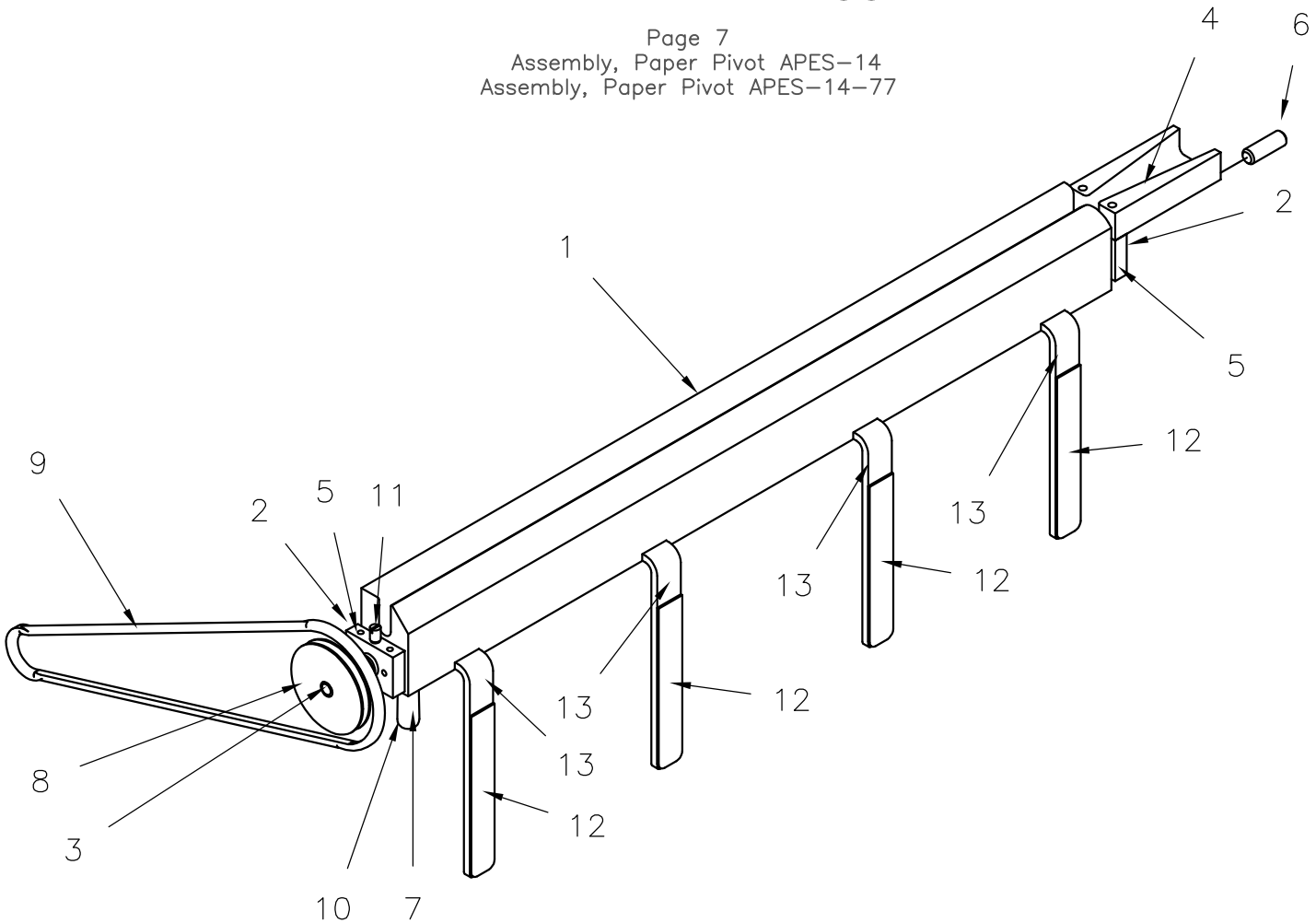
Assembly, Paper Stop Switch APES-14
Assembly, Paper Stop Switch APES-14-77



Paper Stop Switch					
ITEM	QTY	PART NUMBER	NAME	NOTE	
1	1	000632	PLATE, NUT		
2	1	000633	MOUNT, PAPER STOP SWITCH		
3	1	001487	CORD GRIP	NOT SHOWN	
4	1	001626	KNOB, 3 WINGED 8-32		
5	1	007960	SWITCH		
6	1	008170	CORD		
7	1	900617	BRACKET, PAPER STOP SWITCH	USE 900660 FOR APES-14-77	
8	1	900621	COVER, SWITCH BRACKET	USE 900661 FOR APES-14-77	

APES-14 PARTS BOOK

Page 7
 Assembly, Paper Pivot APES-14
 Assembly, Paper Pivot APES-14-77



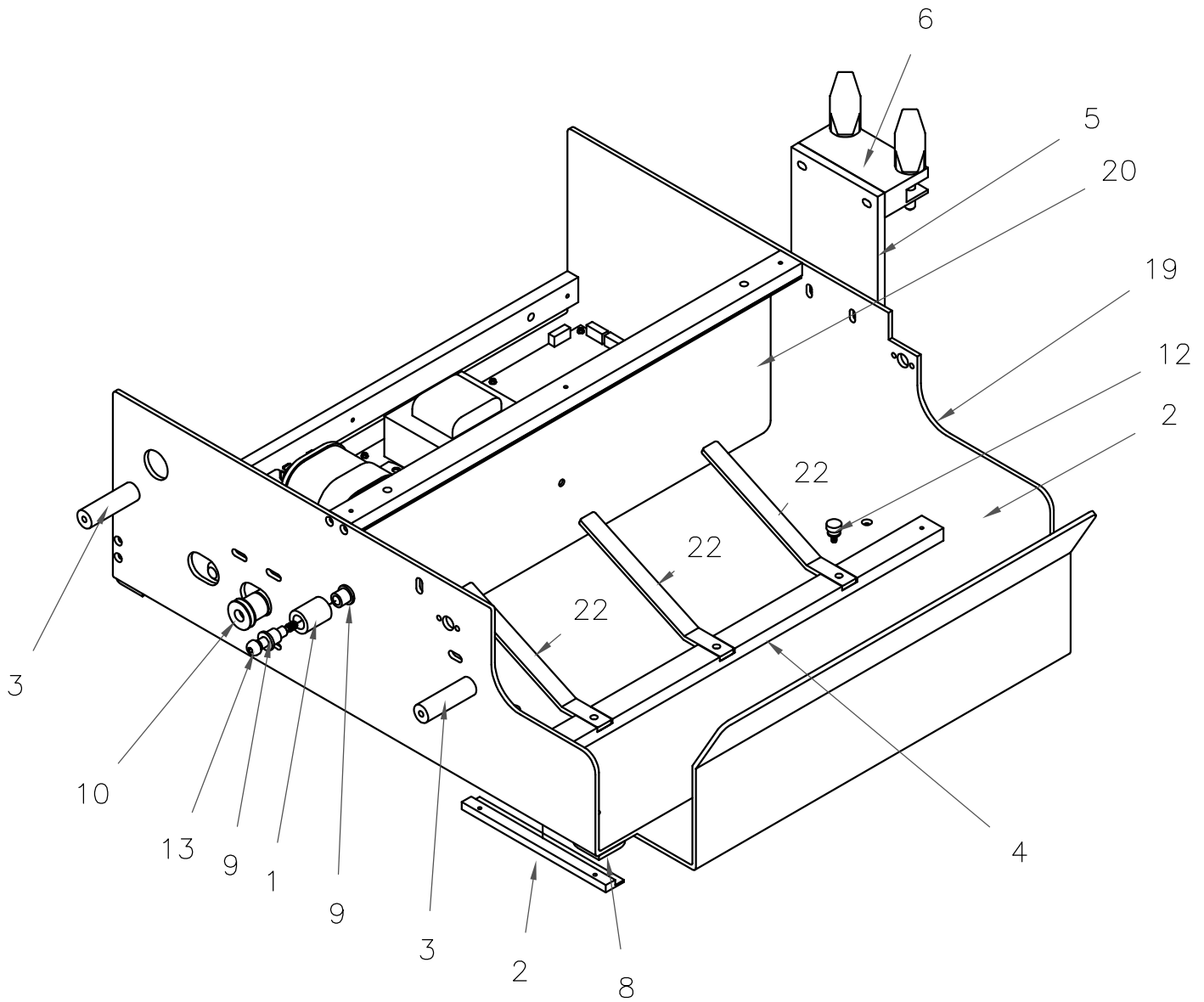
Paper Pivot Assembly

ITEM	QTY	PART NUMBER	NAME	NOTE
1	1	000626	PIVOT, PAPER	
2	2	000627	BLOCK, PIVOT	
3	1	000628	SHAFT, PIVOT PULLEY	
4	1	000630	GUIDE, TRANSITION	USE 000641 FOR APES-14-77
5	2	001293	BUSHING, FLANGED 1/4" ID	USE BUSHING 000646 IF MACHINE HAS NYLON SET SCREW
6	1	001395	DOWEL PIN, 1/4" X 3/4"	USED AS RIGHT SIDE SHAFT
7	1	001400	DOWEL PIN, 1/4" X 1-1/4"	
8	1	001469	PULLEY, LARGE 2"	
9	1	001481	BELT, O-RING DRIVE 17"	
10	1	001483	CAP, MOULDED	
11	1	001495	SET SCREW, NYLON	MAY NOT BE USED ON ALL MACHINES
12	4	001575	PAD, COURSE	LONG LENGTH TO BE CUT
13	4	900606	JOGGER, REAR	

APES-14 PARTS BOOK

Page 8

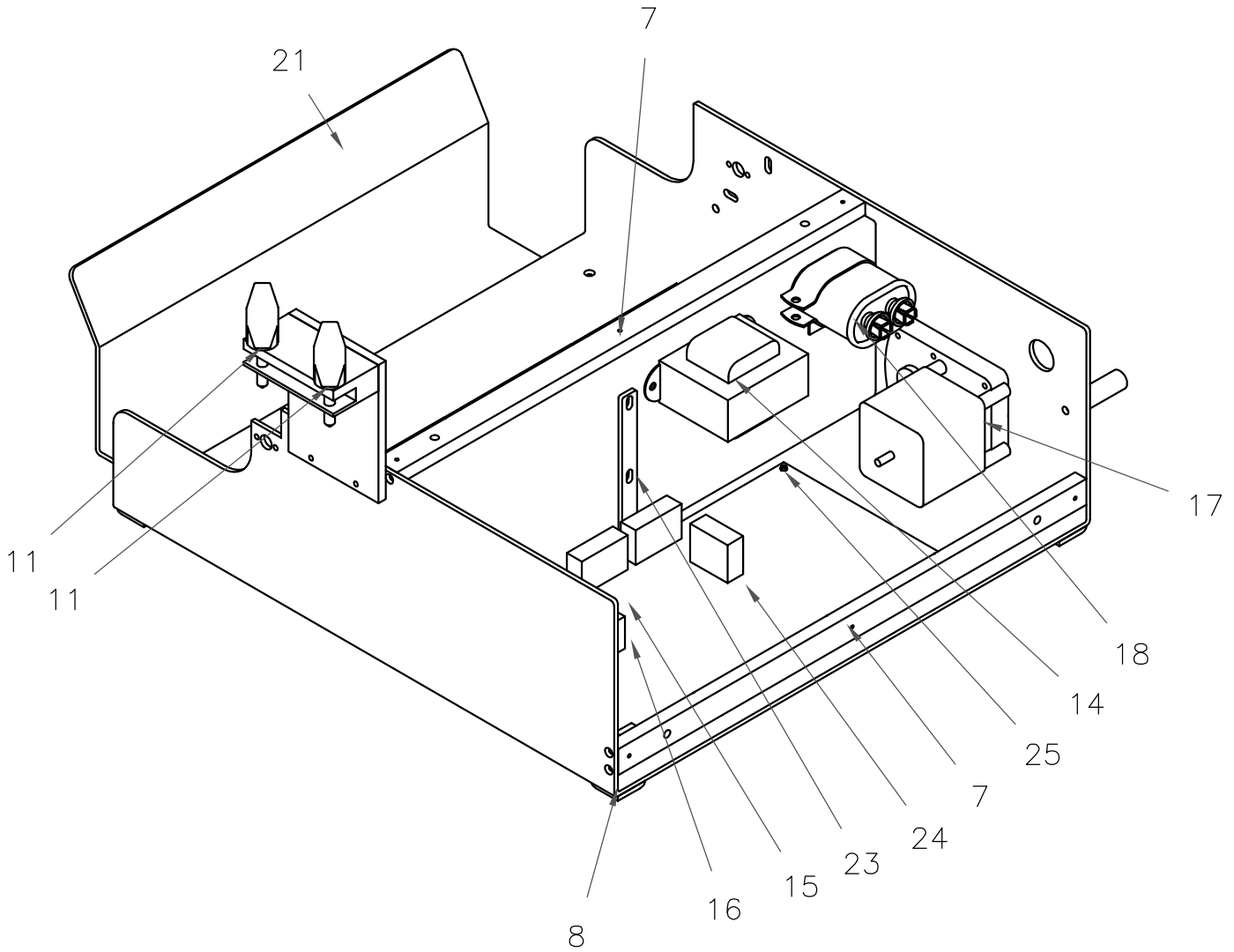
Assembly, Reception (front view) APES-14
Assembly, Reception (front view) APES-14-77



APES-14 PARTS BOOK

Page 9

Assembly, Reception (rear view) APES-14
Assembly, Reception (rear view) APES-14-77



APES-14 PARTS BOOK

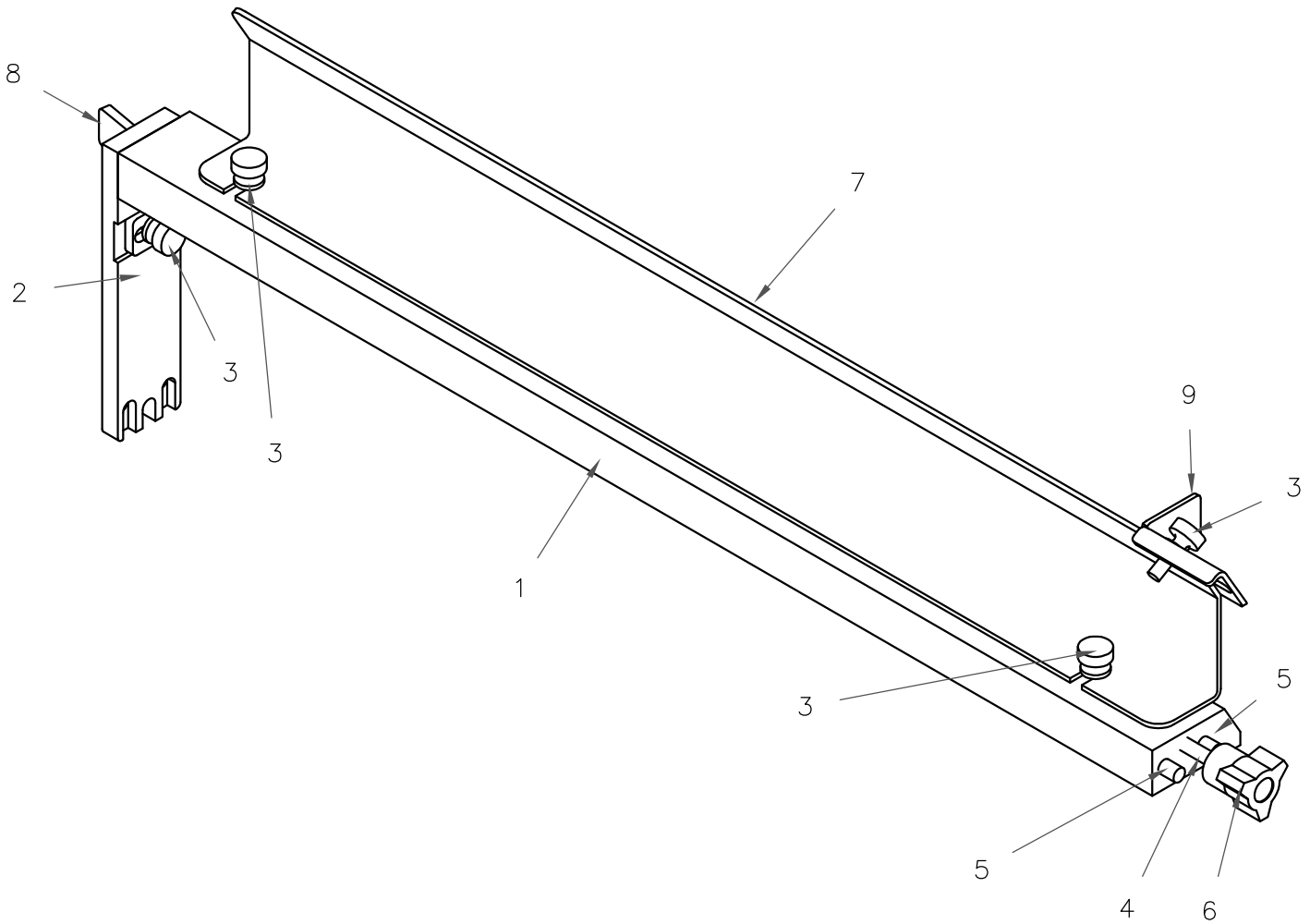
Page 10

Assembly, Reception (part list) APES-14
Assembly, Reception (part list) APES-14-77

Reception Parts List				
ITEM	QTY	PART NUMBER	NAME	NOTE
1	1	000612	PULLEY, TENSION	
2	2	000617	SLIDE, TRAY	
3	2	000622	STANDOFF, COVER	
4	1	000623	SUPPORT, PAPER	
5	1	000624	PLATE, RECEPTION MOUNT	
6	1	000625	BLOCK, RECEPTION MOUNT	USE 000640 FOR APES-14-77
7	2	000629	BRACKET, TRAY SUPPORT	
8	4	001040	FEET, RUBBER STICK ON	
9	2	001293	BUSHING, FLANGED 1/4" ID	
10	1	001468	PULLEY, SMALL	
11	2	001482	PIN, QUICK RELEASE T-HANDLE	
12	2	001494	NYLON THUMB SCREW 6-32	
13	1	001605	BOLT, SHOULDER 1/4" X 1" LG	
14	1	001630	STEP DOWN TRANSFORMER	230 VOLT CE MACHINE ONLY
15	1	001664	FUSE, 1 AMP FAST BLOW	NOT SHOWN
16	1	007019	FUSE, 1 AMP SLOW BLOW	NOT SHOWN
17	1	007170	MOTOR, GEAR	
18	1	007310	CAPACITOR AND BRACKET 5MF	
19	1	900604	TRAY, RECEPTION	
20	1	900608	GUARD, ELECTRICAL	
21	1	900609	STOP, FRONT MOVABLE	
22	3	900615	FINGER, PAPER SUPPORT	
23	1	900622	SPACER, SUPPORT	
24	1	900655	CIRCUIT BOARD	
25	8	STANDOFF	NOT AVAILABLE	

APES-14 PARTS BOOK

Page 11
Assembly, Upper Bracket APES-14
Assembly, Upper Bracket APES-14-77



Upper Bracket Assembly					
ITEM	QTY	PART NUMBER	NAME	NOTE	
1	1	000604	BRACKET, UPPER PAPER DEFLECTOR		
2	1	000606	BRACKET, SUPPORT	USE 000639 FOR APES-14-77	
3	4	001010	3/8" BRASS THUMBSCREW		
4	1	001432	STUD, ALL THREAD 8-32 X 1"-1/2	ASSEMBLE WITH PART # 001626	
5	2	001603	3/16" x 3/4" DOWEL PIN	PRESS FIT INTO ITEM 1	
6	1	001626	KNOB, 3 WINGED 8-32		
7	1	900603	DEFLECTOR, PAPER TOP FRONT		
8	1	900618	PAPER PUSHER		
9	1	900620	GUIDE, EDGE		