



16 DB - 2 Parts List



GBC IS AN ACCO BRANDS COMPANY

8.0 PARTS LIST

All parts in each illustration are keyed with an Index Number (i.e. 1,2,3,4, etc...) for reference to the respective Part Number, Description, and Quantity in the respective parts list. Not all parts are used in each model and will be indicated as such in the Description column. National Service Parts Department carries a large quantity of parts, however many hardware related parts can be obtained locally at numerous hardware and electronic outlets. The individual description of these parts will include in the Parts Description of each diagram.

When ordering service parts, always include the following information:

1. Machine Model Number
2. Machine Serial Number
3. Part Number
4. Part Description
5. Quantity Required
6. Account Number
7. Payment Method
8. Shipping Method
9. Shipping Location (if different than account number bill-to)

PLEASE CONTACT GBC NATIONAL SERVICE PARTS AT 1-800-790-7787 FOR ANY QUESTIONS REGARDING SERVICE PARTS ISSUES.

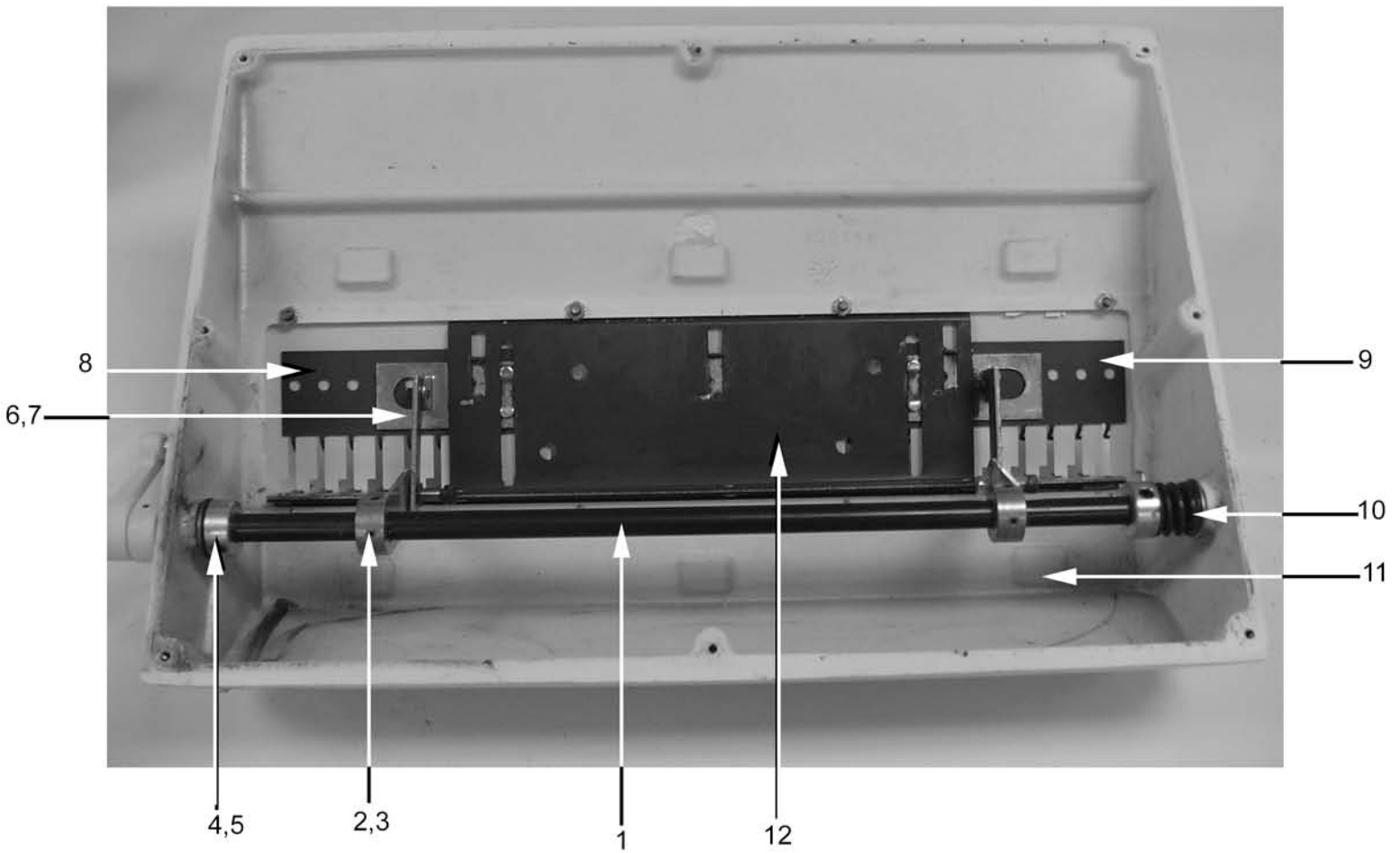


FIGURE 8.1

ITEM	P/N	DESCRIPTION	QUANTITY
1	7300234 (White)	Shaft and handle assembly : 7300242 - Black	1
2	7300237	Drive arm assembly	2
3	1929206	Roll pin	2
4	1931703	Collar	2
5	1925102	Washer	2
6	1131507	Connecting link	2
7	1931802	Grip ring	2
8	7300040	Hook slide	1
9	1119751	Slide bar assembly	1
10	1100415	Brake spring	1
11	7300231	Base	1
12	7300038	Guide plate	1
•	1131503	Comb	1
•	1131504	Back angle brace	1
•	1930816	Rivets	5
	1927406	8-32 Elastic Stop Nut For Binder Frame Assy.	4
	7300235	Pre Drilled Handle	

• Indicates not shown

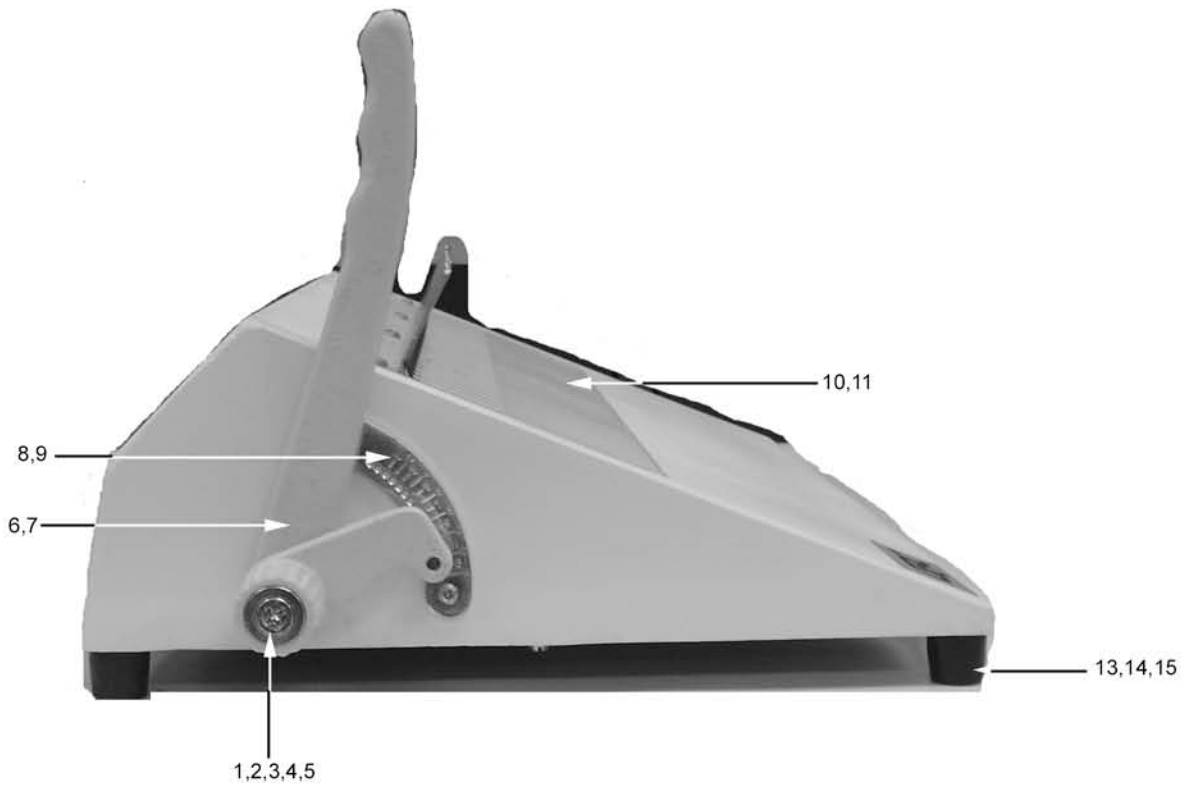
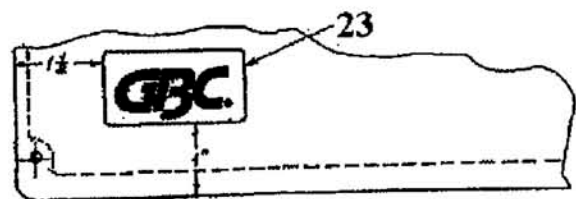


FIGURE 8.2

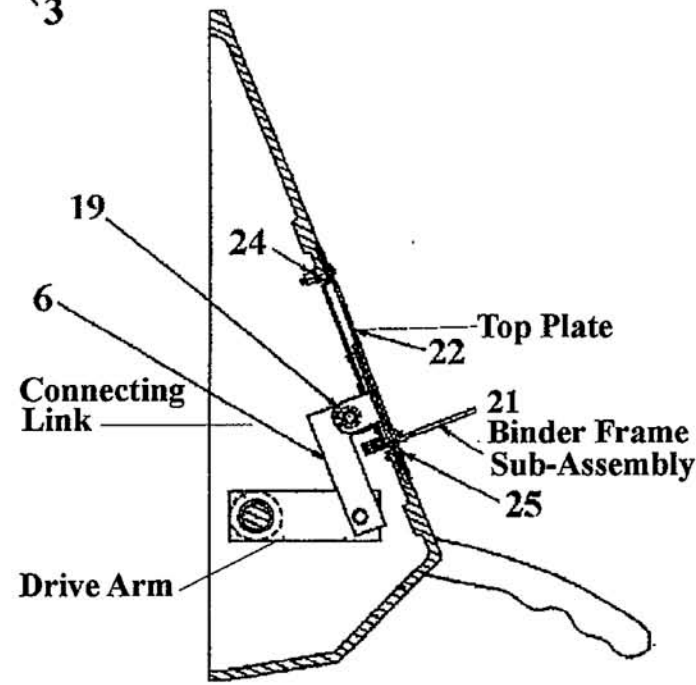
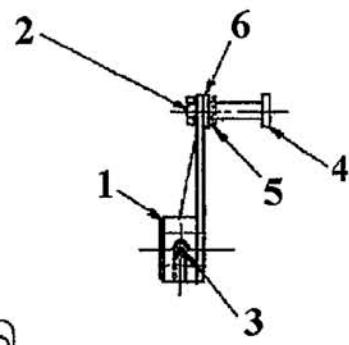
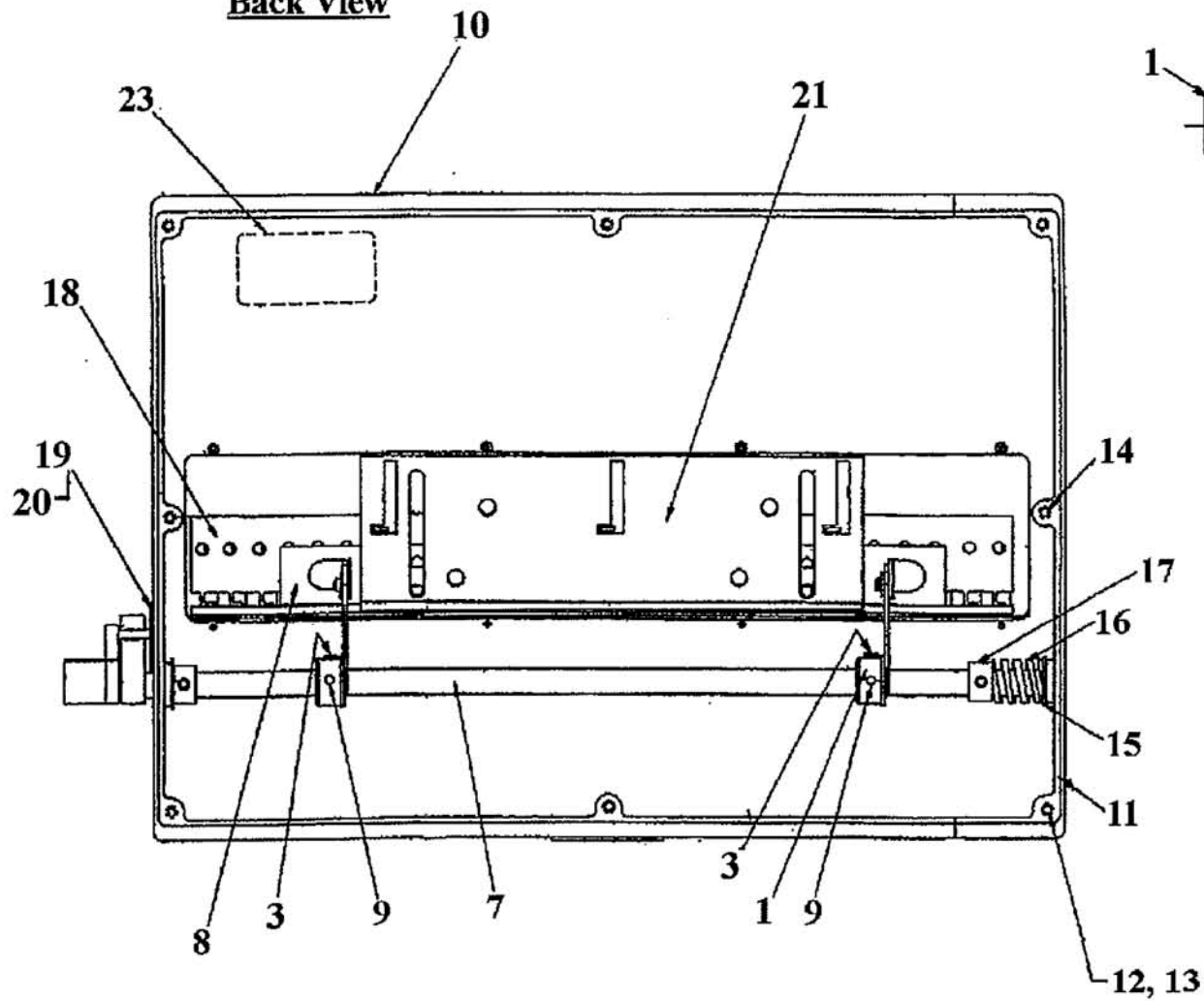
ITEM	P/N	DESCRIPTION	QUANTITY
1	7300233	Knob assembly	1
2	1100412	Pin	1
3	1100413	Knob spring	1
4	1100414	Spring retainer	1
5	1902603	Screw	1
6	7300235	<i>handle assembly, pre-drilled</i> , White	1
7	1930124	<i>Metal dowel pin</i>	1
	1929207	Roll pin (alternative to metal dowel pin)	1
8	1100373	Indicator plate	1
9	1908004	Screw	2
10	7300033	Top cover plate	1
11	1908002	Screw	8
12	N/A		
13	1131520	Foot (cup type)	4
	1100228	<i>Foot (alternative to cup type)</i>	4
	1902809	<i>Screw (required for alternative)</i>	4
	1925004	<i>Washer (required for alternative)</i>	4
14	1100425	Bottom cover	1
15	1907912	Screw	4
•	1131108	<i>Binding post</i>	2
	7300243	Handle, Black not drilled	

• Indicates not shown

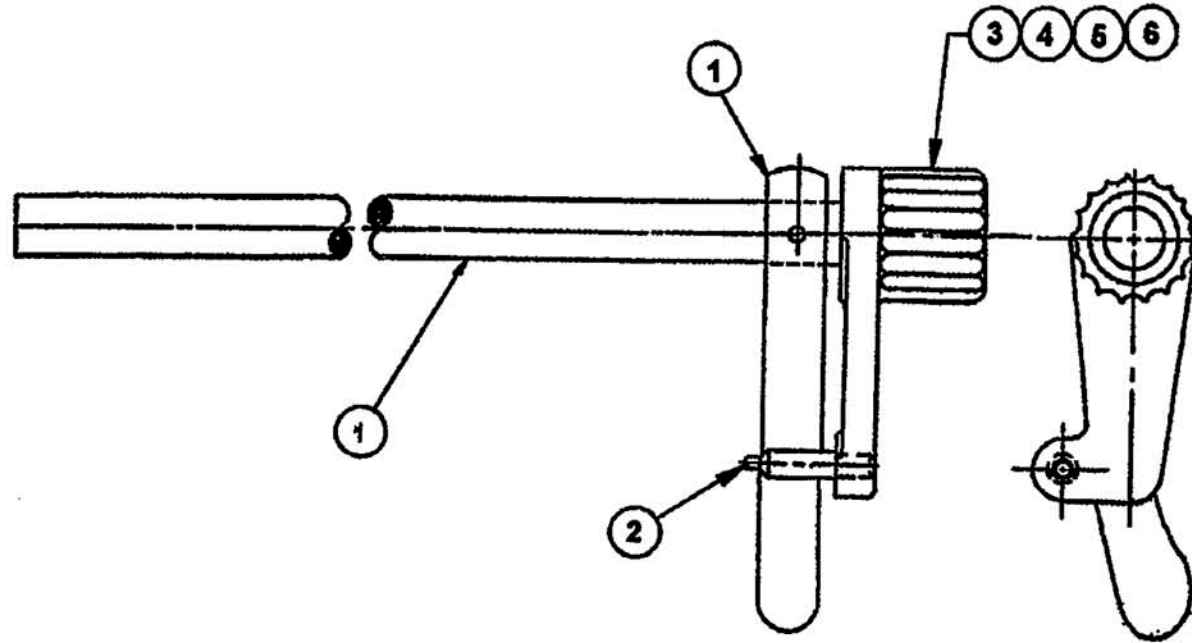
THIS PAGE LEFT BLANK INTENTIONALLY



Back View



ITEM	PART NO.	DESCRIPTION	QTY.
REF	7300251	Drive Arm Assembly (Includes 1-5)	2
1	1131971	Drive Arm	2
2	1927409	Elastic Stop Nut 10-24	2
3	1900003	Set Screw 1/4-20	2
4	1900833	Shoulder Screw 10-24 x 5/8	2
5	1931602	Grip Ring	2
6	1131507	Connecting Link	2
7	7300242	Shaft & Handle Sub-Assembly	1
8	1132389	Slide Bar Assembly	1
9	1929206	Roll Pin	2
10	7300241	Base, Black	1
11	1100425	Bottom Cover	1
12	7500050	Rubber Foot	4
13	1907203	Screw 8-32 x 3/4	4
14	1907201	Screw 8-32 x 3/8	4
15	1925102	Washer	2
16	1100415	Brake Spring	1
17	1931703	Collar	2
18	7300040	Hook Slide	1
19	1100373	Indicator Plate	1
20	1907803	Screw 6-32 x 3/8 Pan Hd.	2
21	1133200	Binder Frame Sub-Assembly	1
22	7300033	Top Cover Plate (White)	1
	7300240	Top Cover Plate (Black)	1
23	6009343	GBC Logo Label	1
24	1927406	8-32 Elastic Stop Nut	4
25	1902818	6-32 x 3/8 Hex Screw	4



ITEM	PART	DESCRIPTION	QTY
1	7300234	Shaft & Handle Assembly (White)	1
	7300242	Shaft & Handle Assembly (Black)	1
2	1100412	Indicator Pin	1
3	1100413	Indicator Knob Spring	1
4	1100414	Indicator Knob Spring Retainer	1
5	1926803	Screw	1
6	7300233	Indicator Knob (White)	1
	7300244	Indicator Knob (Black)	1