

# W630 Score II Scoring & Perfing Machine

Includes: 1 Scoring Wheel, 1 Perfing Wheel (Interchangeable)

Patent #276.528

Score II is a hand operated machine that can be adjusted to perf or score. For best results, it is recommended that you use one sheet of stock at a time. Maximum capacity: Perf 3-part NCR, or 2 sheets of 20# bond, or 1 sheet of cover stock.

## Scoring...Your machine comes ready to score.

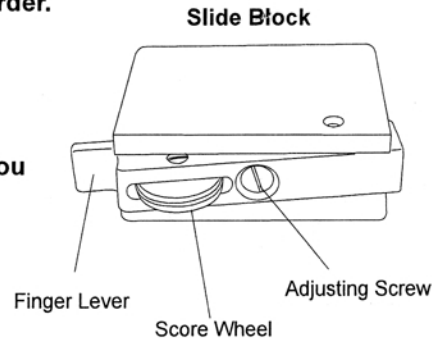
1. Place your stock against the Guide Bar and square it with the Back Gauge.
2. The Slide Block should be on the end closest to you. Lightly grasp the Slide Block and push straight forward and pull straight back. Do not twist the head from side to side as this will cause a crooked or improper score and may lead to damage of the track and wheel.

## Folding...For an even fold, it is important to follow these steps in order.

1. Align the top edges of your sheet and hold in place securely.
2. From top to bottom, slide your hand and apply slight pressure on the score.

## Adjusting the Slide Block...The slide block is equipped with a self-adjusting head. Should you desire to make further adjustments, you may do so.

1. Remove the Slide Block from the track by lifting up on the finger lever and rotating the Slide Block toward you.
2. The adjusting screw is located on the underside of the slide block.  
Turn the screw clockwise to increase pressure  
Turn the screw counterclockwise to decrease pressure  
**Note:** Adjust in one-half turns.



## Set Up for Perfing

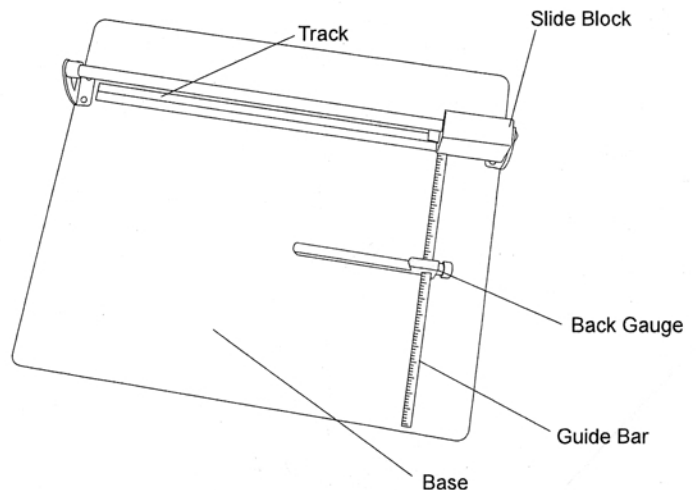
1. Remove the Slide Block from the track by lifting up on the finger lever of the Slide Block and rotating the block toward you.
2. Remove the scoring wheel from the slide block by removing the screw holding it in place. Insert the perfing wheel and replace the screw.
3. Remove the track from its position and turn it over. (The track is easily removed by pushing your finger through the hole under the base) Replace the track with the perf side up. (Labeled "Perf") Return the Slide Block to its original position.

## Perfing

1. Place your stock against the Guide Bar and square it with the Back Gauge.
2. The Slide Block should be on the end closest to you. Lightly grasp the Slide Block and push straight forward and pull straight back. Do not twist the head from side to side as this will cause a crooked or improper perf and may lead to damage of the track and wheel.  
**Note:** One pass over the stock is all you need. (Several passes could result in cut stock)

## Important

- Remember to always be sure you have the correct side of the track up before you perf or score. The tracks grooves are precision formed to allow perfing on one side and scoring on the other.
  - Maximum length of per or score: 19-1/2"
  - 10 perfs per inch
  - Handles stock from 20# to cover stock
  - Stationary full width guide insures accuracy
  - Hand operated with adjustable edge guide
  - Precision tooled assembly, solid construction
  - 1 year warranty on parts, 90 days on labor
- 
- Dimensions: Table 20" x 24", Working Surface 20" x 19-1/2"



Advanced Document Systems & Supply, Inc.

Phone: 800-808-2377 • Fax: 888-237-7329

www.adss.net