

# JOGFAST PAPER JOGGER

## (OWNERS MANUAL)



Advanced Document Systems & Supply, Inc.

Phone: 800-808-2377 • Fax: 888-237-732

[www.adss.net](http://www.adss.net)

Read this manual, and thoroughly familiarize yourself with its contents before operating or servicing this equipment.

## INTRODUCTION:

Thank you for selecting the PowerHouse Paper Jogger. The Jogfast Paper Jogger has been developed for ease of operation and maintenance, however, we recommend that you familiarize yourself with the machine by carefully reading these instructions.

**Warning:** This machine contains moving parts that can catch hair or loose clothing and pinch fingers. During operation and maintenance keep hands, hair and loose clothing clear of moving parts. Service or disassembly should be done with power cord disconnected.

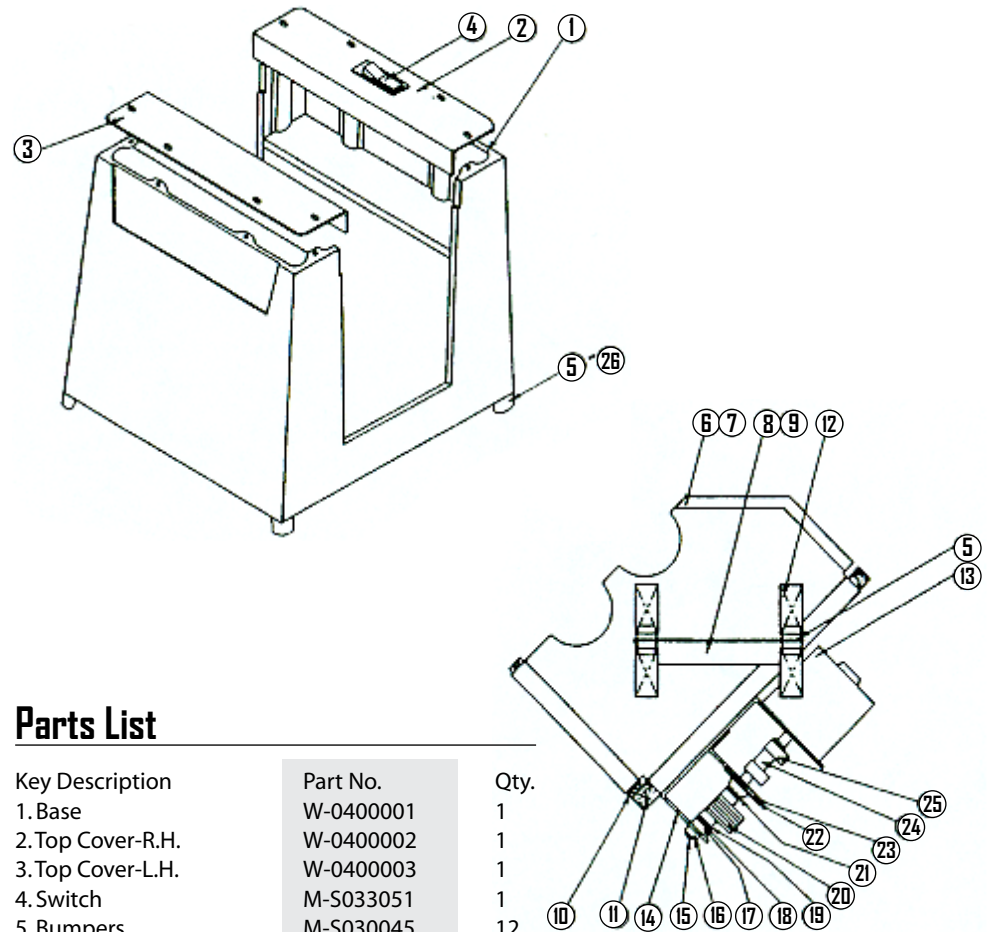
## INSTALLATION:

Remove Jogger from carton. Remove 2 bolts at at bottom which secure packing material to jogger.

Plug unit into any 115V 60HZ/A.C. outlet. Turn Switch "ON". (a light will indicate "ON" position.) Load Paper.

## MAINTENANCE:

Lubricate bearings with light oil every 6 months. Occasionally, if necessary, remove any debris from bearing locations. (see #16 in parts list to the right.)



## Parts List

Key Description	Part No.	Qty.
1. Base	W-0400001	1
2. Top Cover-R.H.	W-0400002	1
3. Top Cover-L.H.	W-0400003	1
4. Switch	M-S033051	1
5. Bumpers	M-S030045	12
6. Side Panel-R.H.	W-0400008	1
7. Side Panel-L.H.	W-0400009	1
8. Side Bckt.-R.H.	W-0400010	1
9. Side Bckt.-L.H.	W-0400011	1
10. Wood Tray-Bottom	W-0400006	1
11. Wood Tray-Back	W-0400007	1
12. Springs	M-S031074	8
13. Motor	M-S021030	1
14. Motor Base	W-0400014	1
15. Counter Shaft	W-0400005	1
16. Bearing-Flange	M-S013010	1
17. Set Collar	M-S037302	2
18. Washer-Nylon	M-S019024	2
19. Thrust Washer	M-S008088	1
20. Counterweights	W-0400004	6
21. Spring Washer	M-S008086	1
22. Bearing	M-S013047	1
23. Motor Base Bckt.	W-0400012	1
24. Motor Coupling	W-0400012	1
25. Clamps	M-S037314	2
26. Suction Cups	M-S030048	4