

SPECIFICATIONS

Dimensions:	PL4A 8 x 10 x 3-3/4 inches (20.3 x 25.4 x 9.5 cm) PL12A 8-1/2 x 19 x 4-1/8 inches (21.6 x 48.3 x 10.5 cm)
Weight:	PL4A 7-3/4 lb (3.5 Kg) PL12A 15-1/2 lb (7.04 Kg)
Power:	120 VAC, 60 Hz PL4A 240 Watts PL12A 720 Watts
Capacity:	PL4A 5-3/4 inches (9.5 cm) wide PL12A 12-1/4 inches (31.1 cm) wide
Minimum Thickness:	1/16" (2 mm)
Film thickness:	1.5 mil up to 10 mil (37 micron up to 250 micron each side)

WARRANTY AND RETURN POLICY

Warranty

Your laminator is warranted to be free of defects in materials and workmanship for a period of 1 year from the date of purchase. In the event of a defect in material or workmanship, your dealer will (at his/her option) repair or replace the laminator.

No other warranty is stated or implied except as stated above. This warranty does not cover damage as a result of misuse, or any special or consequential damage, whether or not foreseeable.

Return Policy

If your laminator is not operating properly, first review the instructions. If the malfunction cannot be corrected, contact your local dealer for instructions. Be sure to have your machine serial number and date of purchase handy.

If the laminator must be returned to the dealer, it is your responsibility to ensure it is packaged properly. Shipping damage as a result of improper packaging is not covered under the terms of this warranty.



Advanced Document Systems & Supply, Inc.

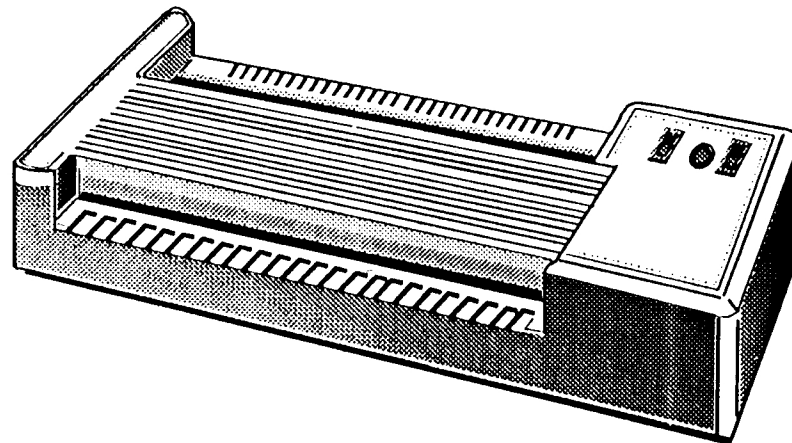
Phone: 800-808-2377 • Fax: 888-237-7329

www.adss.net

Model PL4A & PL12A

Pouch Laminator

Operating Instructions



INTRODUCTION

Congratulations on your purchase of our pouch laminator. This laminator is designed to provide years of trouble-free service.

The model PL4A will easily laminate items up to 3.75-inches wide such as ID cards, badges, membership cards, and luggage tags. The PL12A is designed for cards as well as larger items up to 12-inches wide. Both models are preset at the factory and require no adjustments for normal operation. A thermostat allows you to adjust the temperature for laminating films to 10 mil.

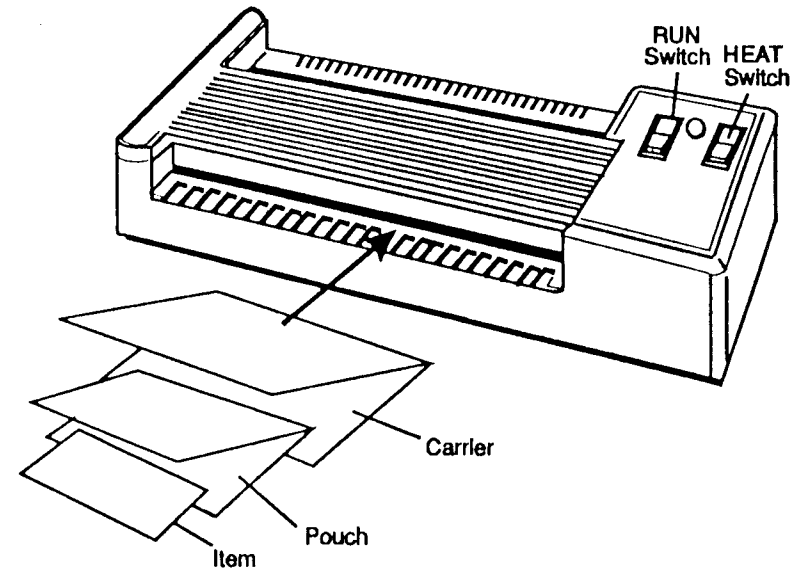
OPERATION

Before using your laminator, be sure to observe the following precautions:

- Do not leave the power on when the unit is not in use.
- To prevent electric shock, do not operate the unit near a sink. Do not immerse the laminator, its cord, or plug, in water.
- Do not use the laminator if the power cord is damaged. Do not defeat the protective ground by removing the ground pin.
- Do not allow the cord to touch hot surfaces or hang over the edge of a cabinet or shelf.
- Keep laminator out of the reach of children
- In case of a malfunction, return the unit to your dealer for service. The laminator does not contain any customer-serviceable parts.

To use your pouch laminator follow these steps:

1. Place the unit on a table and plug the power cord into a grounded, 120 VAC outlet.
2. Press the HEAT switch to the ON position. The red light will illuminate while the heaters are warming up. After approximately 3 minutes the red light will go off, indicating that the heaters are warmed up and ready to laminate.
3. Insert the item to be laminated into a pouch. Next, place the pouch into the paper carrier.
4. Press the RUN switch to the ON position. Insert the carrier into the laminator as shown.
5. As the carrier exits the laminator, allow several second for the pouch to cool before removing it from the carrier.
6. Turn the RUN switch OFF when you finish laminating. If you plan to use the laminator later, leave the HEAT switch ON.
7. Be sure to turn the HEAT switch OFF at the end of the day.



TEMPERATURE ADJUSTMENT

Your pouch laminator temperature has been factory set to provide high quality lamination under normal conditions with the laminating pouches provided. If you use a heavier paper or use a different laminating film, the temperature may be adjusted by turning the knob on the bottom of the unit.

To increase the temperature:

1. Turn the thermostat clockwise (CW) one or two divisions. The red light will go on. Wait until the light goes out, indicating the heaters are at the new temperature.
2. Repeat step 1 until the laminator produces the desired results.

To decrease the temperature:

1. Turn the HEAT switch OFF and wait one or two minutes for the heaters to cool.
2. Turn the HEAT switch ON. The red light will go ON. Turn the thermostat counter-clockwise (CCW) until the red light goes off.
3. Repeat steps 1 and 2 until the laminator produces the desired results.

If the pouch does not seal, the lamination is cloudy, or if it contains bubbles, the temperature is too low. If the adhesive squeezes out or if the lamination contains wrinkles, the temperature is too high.