

Dura-Wire Closer 450



Advanced Document Systems & Supply, Inc.

701 E. Gardena Blvd.
Gardena, California 90248
Phone: (310) 516-7778
Fax: (310) 516-7779

Instruction Manual

- 1 Insert the sheet, cover and back cover as shown in figure A

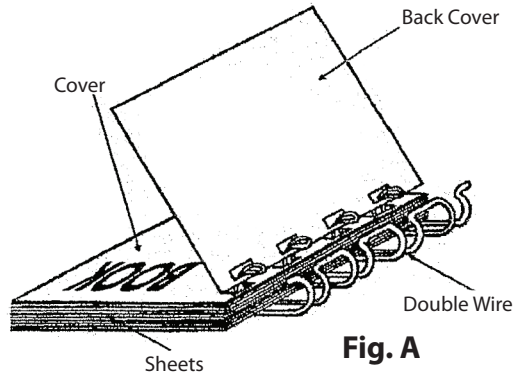


Fig. A

- 2 Select the diameter of wire to be used and with the lowered handle, adjust the back dash using the screws of no. 1 simultaneously until you reach the wanted scale.

- 3 After having regulated the back dash, maintain the open handle and insert the set (sheets, cover, back cover and double ring): as in Figure C

- 4 Check that the double ring is totally leaning on the base as show in Detail 1

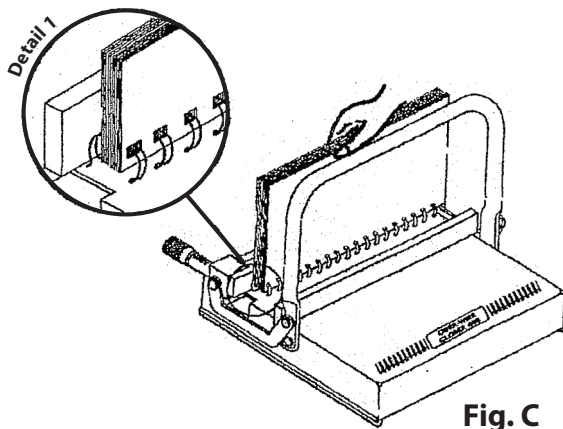


Fig. C

- 5 Lowers the handle until the end to the double ring (figure D)

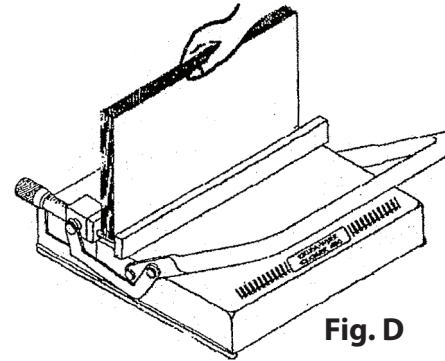


Fig. D

- 6 Return the handle to the original position and remove the set already bound.

- 7 Rotate the back cover 360 degrees for a perfet result as show in figure E.

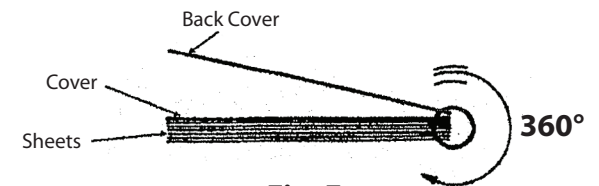


Fig. E

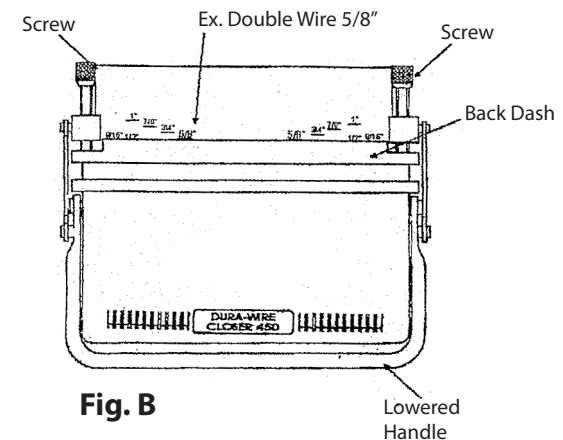


Fig. B