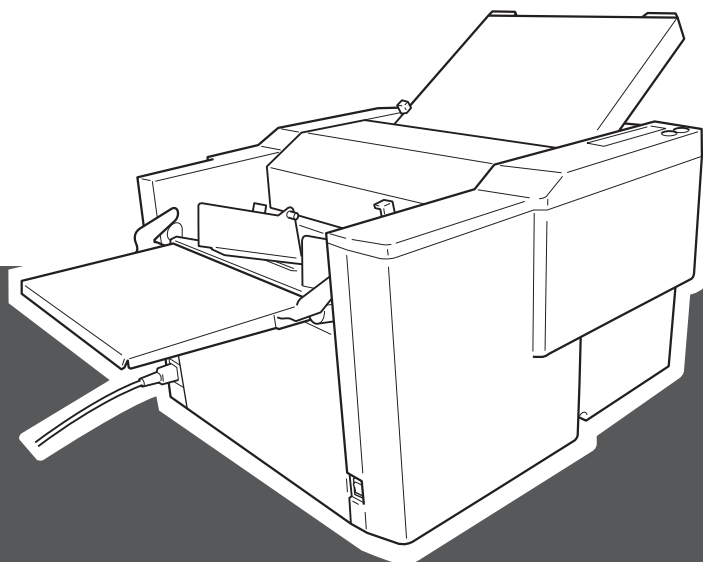

PAPER FOLDER
DF-920

INSTRUCTION MANUAL

[220 to 240 V]



Duplo



DECLARATION OF CONFORMITY

DUPLO CORPORATION, located at 1-6, Oyama 4-chome, Sagamihara-shi, Kanagawa-ken 229-1180, Japan, declares that the following product,

- Name of product : Paper Folder
- Models : DF-920

complies with the provisions defined by the regulations listed below.

- Regulation : Low Voltage Directive 73/23/EEC under IEC60950 (1999) including EN60950 (2000) deviations. Electromagnetic Compatibility Directive 89/336/EEC under EN55011 (1998) + A1 (1999) Class A, EN55014-1 (2000) + A1 (2001), EN55014-2 (1997) + A1 (2001), EN61000-3-2 (2000), EN61000-3-3 (1995) + A1 (2001).

En

KONFORMITÄTSERKLÄRUNG

Die DUPLO CORPORATION mit Sitz in 1-6, Oyama 4-chome, Sagamihara-shi, Kanagawa-ken 229-1180, Japan, erklärt hiermit, dass das folgende Produkt,

- Bezeichnung des Produkts : Papierfaltmaschine
- Modell : DF-920

den nachfolgend aufgelisteten Richtlinien entspricht :

- Richtlinien : Niederspannungsrichtlinie 73/23/EWG unter IEC60950 (1999) und EN60950 (2000) Abweichungen. Richtlinie über die elektromagnetische Verträglichkeit 89/336/EWG unter EN55011 (1998) + A1 (1999) Klasse A, EN55014-1 (2000) + A1 (2001), EN55014-2 (1997) + A1 (2001), EN61000-3-2 (2000), EN61000-3-3 (1995) + A1 (2001).

Ge

DECLARATION DE CONFORMITE

DUPLO CORPORATION, située à 1-6, Oyama 4-chome, Sagamihara-shi, Kanagawa-ken 229-1180, Japon, déclare que le produit suivant ;

- Nom du produit : Plieuse de papier
- Modèle : DF-920

est conforme aux dispositions définies par les réglementations suivantes ;

- Réglementations : Directive sur la basse tension 73/23/EEC en application de IEC60950 (1999) et EN60950 (2000) derogations. Directive de compatibilité électromagnétique 89/336/EEC d'après EN55011 (1998) + A1 (1999) Class A, EN55014-1 (2000) + A1 (2001), EN55014-2 (1997) + A1 (2001), EN61000-3-2 (2000), EN61000-3-3 (1995) + A1 (2001).

Fr

DICHIARAZIONE DI CONFORMITÀ

DUPLO COPRORATION sita a 1-6, Oyama 4-chome, Sagamihara-shi, Kanagawa-ken 229-1180 Japan, dichiara che il seguente prodotto,

- Nome del prodotto : Macchina piegantesi di carta
- Modello : DF-920

è conforme ai requisiti definiti dalle norme sotto elencate.

- Direttiva Bassa Tensione : Direttiva relativa alle apparecchiature a bassa tensione 73/23/CEE in base a IEC60950 (1999) incluso EN60950 (2000) deviazioni. Direttiva EMC 89/336/CEE in base a EN55011 (1998) + A1 (1999) Class A, EN55014-1 (2000) + A1 (2001), EN55014-2 (1997) + A1 (2001), EN61000-3-2 (2000), EN61000-3-3 (1995) + A1 (2001).

It

DECLARACIÓN DE CONFORMIDAD

DUPLO CORPORATION, con domicilio en 1-6, Oyama 4-chome, Sagamihara-shi, Kanagawa-ken 229-1180 Japan, declara que el producto siguiente :

- Nombre del producto : Máquina que dobla de papel
- Modelos : DF-920

Cumple las disposiciones definidas por las siguientes reglamentaciones :

- Reglamentaciones : Directiva sobre baja tensión 73/23/CEE bajo IEC60950 (1999) incluyendo las derogaciones EN60950 (2000). Directiva sobre CEM 89/336/CEE bajo EN55011 (1998) + A1 (1999) Class A, EN55014-1 (2000) + A1 (2001), EN55014-2 (1997) + A1 (2001), EN61000-3-2 (2000), EN61000-3-3 (1995) + A1 (2001).

Sp

INTRODUCTION

Thank you for purchasing this Duplo equipment.

To ensure correct usage, please read this instruction manual thoroughly, especially the section Safety Precautions.

The aim of this instruction manual is safe and proper use. For this reason, users of this equipment for purposes or by methods other than those described in this manual and users who remodel this equipment for their own reasons are asked to ensure safety in use at their own responsibility.

After reading, please keep this instruction manual handy for future reference.

ABOUT THIS INSTRUCTION MANUAL

This instruction manual describes the functions of the equipment. It is composed of the following chapters.

It can be read from the required pages in use of this equipment.

◆ **Safety** (p.3 to 6)

This chapter describes user safety, such as precautions in use of this equipment, etc.

◆ **Outline** (p.7 to 17)

This chapter describes what users need to know about this equipment before using it.

◆ **Basic Operations** (p.18 to 25)

This chapter describes the most basic paper folding operation.

◆ **Correcting Folding Misalignment** (p.26 to 31)

This chapter describes how to correct folding misalignment of folded paper.

◆ **Applied Use** (p.32 to 44)

This chapter outlines applied paper folding operations such as standard folding of non-standard paper, custom folding, and cross folding, etc.

◆ **Others** (p.45 to 59)

This chapter describes additional functions, error messages, troubleshooting guide, etc.

TABLE OF CONTENTS

◆ Safety

1. Safety Precautions	3
Caution Label Location	5
2. Installation Precautions	5
2-1. Installation Location	5
2-2. Precautions in Moving the Unit	5
3. Usage Precautions	6
3-1. Power Supply	6
3-2. Operating Environment	6
3-3. Storage Conditions	6
3-4. Maintenance	6

◆ Outline

4. Installation	7
4-1. Standard Accessories	7
4-2. Installation Procedure	8
5. Names and Operation of Parts	11
5-1. External Parts	11
5-2. Internal Parts	12
6. Control Panel	14
6-1. Names and Operation of Control Panel	14
6-2. Description of LCD	16
6-3. Energy Saving Mode Function	17
6-4. Types of Buzzer Sounds	17

◆ Basic Operations

7. Precautions Prior to Use	18
7-1. Paper Used	18
7-2. Precautions on Stacking Paper	19
7-3. Automatic Detection of Paper Size	19
7-4. Automatic Rise/Descent of the Paper Feed Tray	20
7-5. Checking the Front/Back, Top/End of Paper	20
7-6. Using the "QUICK START"	21
8. Paper Folding Methods	21
9. Standard Folding of Standard Paper	22
9-1. Standard Paper	22
9-2. Standard Folding Modes	22
9-3. Operation Procedure	22

◆ Correcting Folding Misalignment

10. Folding Misalignment	26
10-1. Correcting Folding Misalignment Along Sides of Paper	26
10-2. Correcting Folding Misalignment Along Vertical Length of Paper	27
10-3. Correcting Deformed Folding	31

◆ Applied Use

11. Standard Folding of Non-standard Paper	32
11-1. Paper Size Restrictions	32
11-2. Operation Procedure	32
12. Custom Folding	35
12-1. Paper Size Restrictions	35
12-2. Operation Procedure	35
13. Cross Folding	38
13-1. Cross Folding Methods	38
13-2. Precautions on Cross Folding	38
13-3. Cross Folding of Standard Paper	39
13-4. Cross Folding of Non-standard Paper	40
13-5. Cross Folding Paper at the Desired Folding Position	40
14. Using Art Paper and Coated Paper	41
14-1. Characteristics of Art Paper and Coated Paper	41
14-2. Operation Procedure	41
15. Using Special Paper	42
15-1. Double Folding Thick Paper	42
15-2. Using Recycled Paper	42
15-3. Folding B7, A6 Size Paper	43
16. Stacker Roller	44
16-1. Changing the Stacker Roller Position	44
16-2. Changing the Stacker Roller Height	44



◆ Others

17. Additional Functions	45
17-1. Interval Function	45
17-2. Folding Stopper Operation Mode Setting Function	46
18. When Paper Jamming Occurs	48
18-1. When Paper Jams at Paper Feed Section ...	48
18-2. When Paper Jams Near Paper Feed Ring ...	48
18-3. When Paper Jams Inside Folding Plate	49
18-4. When Paper Winds Around Folding Roller ...	49
18-5. When Paper Jams Near Folding Plate 1 ...	50
18-6. When Paper Jams Near Folding Plate 2 ...	51
18-7. When Paper Jams at Paper Ejection Section	52
19. Error Messages	53
20. Troubleshooting	54
21. Cleaning the Unit	56
21-1. Cleaning the Folding Rollers	56
21-2. Cleaning the Paper Feed Rings	57
21-3. Cleaning the Paper Separator	57
21-4. Cleaning the Paper Feed Inlet Sensor	57
21-5. Cleaning the Paper Ejection Outlet Sensor ...	58
22. Specifications	59






1. SAFETY PRECAUTIONS

Always observe the cautions and warnings given below to prevent personal injury or property damage.

■ The degree of danger and damage that could occur is indicated on two levels by the following marks.


-  **WARNING** : Ignoring this mark could result in the possibility of serious injury or even death.
-  **CAUTION** : Ignoring this mark could result in the possibility of injury or physical damage.

■ The following graphic symbols indicate the various types of action to be performed or avoided.

-  This graphic symbol indicates a forbidden action.
 -  means “Do not disassemble.”
 -  means “Do not touch.”
-  This graphic symbol indicates actions that must be performed.
 -  means “Disconnect the power plug.”


WARNING:


 Do not place metal objects or vessels containing liquids on top of the unit. The entry of any metal object or liquid could result in a fire or an electrical shock.


 Do not insert any metal or easily-combustible object inside this unit. This could result in a fire or an electrical shock.


 Do not touch or insert foreign objects into any rotating part during operation. This could result in injury.

 Do not remove the cover or back panel. This unit contains high-voltage components that could cause an electrical shock.

 Do not disassemble, modify or repair this unit. There is a danger of fire, electrical shock or injury. Contact your dealer when repairs are necessary.

 Use only the power supply voltage specified on the main nameplate. Using other voltages could result in a fire or an electrical shock.

 Keep this unit and the power cord away from heaters and heater vents. Excessive heat could melt the cover or power cord covering, and result in a fire or an electrical shock.

 Do not use solvent inside or near the unit (e.g. when cleaning the unit). Such solvents may damage the rubber rollers and resin inside the unit, resulting in malfunctions.

(Continued on the next page)

SAFETY PRECAUTIONS (continued)



Make sure that the combined power consumption of the appliances to be connected does not exceed the capacity rating of the power outlets or plug receptacles. Exceeding the capacity rating could cause the power outlets, plug receptacles, or power extension cords to overheat and catch a fire.



Remove any dust that accumulates on the power plug prongs and the surface of the plug from which the prongs extend. Accumulated dust could result in a fire.



If any foreign object such as metal or liquid should enter this unit, immediately turn the unit off at the power switch and disconnect the power plug from the power outlet. Failure to do so could result in a fire or an electrical shock. Contact your dealer immediately.



Do not damage the power cord or power plug. (Do not scratch, alter, bend, twist, pull or place heavy objects on the power cord or power plug.) This could result in damage, a fire or an electrical shock.



Always grip the plug when disconnecting the power plug from the power outlet. Forcibly pulling on the power cord could cause damage, resulting in a fire or an electrical shock.



Do not handle the power plug with wet hands. This could result in an electrical shock.



Before cleaning this unit, turn the unit off at the power switch and disconnect the power plug from the power outlet. Accidental operation of the unit during cleaning could result in injury.



Do not touch the power switch with wet hands. Otherwise electric hazards may occur.



Do not use flammable sprays inside or near the unit (e.g. when cleaning the unit). Such flammable gas may ignite and cause a fire or combustion.

CAUTION:



Keep away long hair, ties, jewelry and loose clothing. This could result in injury.



Do not put fingers inside during operation. This could result in injury.



Always disconnect the power plug from the power outlet when the unit is not to be used for an extended period. Failure to do so could result in a fire due to leakage current if the insulation should deteriorate.



Install this unit on a level, stable stand or floor, with sufficient space around it. Failure to do so could result in the unit overturning and causing injury.

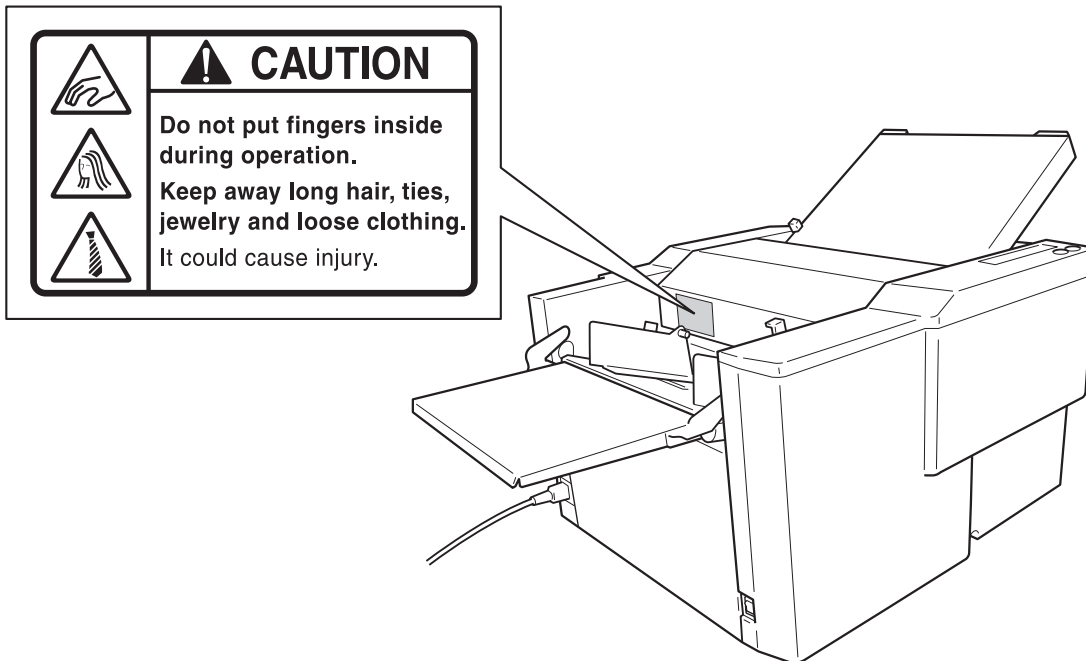


Do not install this unit in a location where there is excessive humidity or where contact with water is possible. Poor choice of location could result in deterioration of the insulation, a fire or an electrical shock.



Disconnect the power plug from the power outlet before attempting to move this unit. Failure to do so could result in power cord damage, a fire or an electrical shock.

Caution Label Location



Note The caution label is pasted on the unit to ensure the safety of users. Do not remove nor change it. If the label becomes dirty, damaged, or lost, be sure to contact your nearest dealer for a new one.

2. INSTALLATION PRECAUTIONS

2-1. Installation Location

- ◆ Install the unit on a table which can tolerate its weight. The mass of the unit is as follows.
 - 43.5 kg
- ◆ Install the unit close to a power outlet.
- ◆ The unit may make loud sounds while operating according to the processing speed and paper used due to its paper-folding mechanism. Therefore install it where it will not disturb the office environment.
- ◆ Refer to “1. SAFETY PRECAUTIONS” (☞ p.3, 4).

2-2. Precautions in Moving the Unit

- ◆ As the unit weights 43.5 kg, when moving it, it should be held at the base by two persons.
- ◆ When moving the unit with folding plates 1 and 2 removed, make sure the folding plates are not subject to shock. Otherwise, the folding plates may damage, resulting in poor folding accuracy.
- ◆ Arrange the power cord carefully so that it does not get stepped on, and damage as a result.

3. USAGE PRECAUTIONS

3-1. Power Supply

- ◆ This equipment shall be installed near the socket-outlet where the plug on the power supply cord is easily accessible.
- ◆ Make sure the power supply used is always within the following range.
 - 100 to 240 V AC, 50/60 Hz
- ◆ When you power other appliances from the same AC outlet, make sure that the combined power consumption does not exceed the power supply capacity.
 - Rated power of this equipment: 1.4 to 0.7 A (95 W)

3-2. Operating Environment

Operate this unit in the following environment:

- where the temperature range is between 5 and 35°C,
- where the humidity range is between 20 and 80% RH (no dew condensation),
- which is not subject to direct sunlight,
- which is subject to little or no vibration,
- where there are no harmful chemicals,
- which is reasonably free from dust,
- which is free from air-borne salt, and
- where the equipment is not exposed to water.

3-3. Storage Conditions

Store this unit in the following environment:

- where the temperature range is between –10 and +50°C,
- where the humidity range is between 10 and 85% RH (no dew condensation),
- which is not subject to direct sunlight,
- which is subject to little or no vibration,
- where there are no harmful chemicals,
- which is reasonably free from dust,
- which is free from air-borne salt, and
- where the equipment is not exposed to water.

3-4. Maintenance

To protect the special features of this unit, the customer should never apply oil or grease to the parts. Please contact your dealer in case of any problem.

WARNING

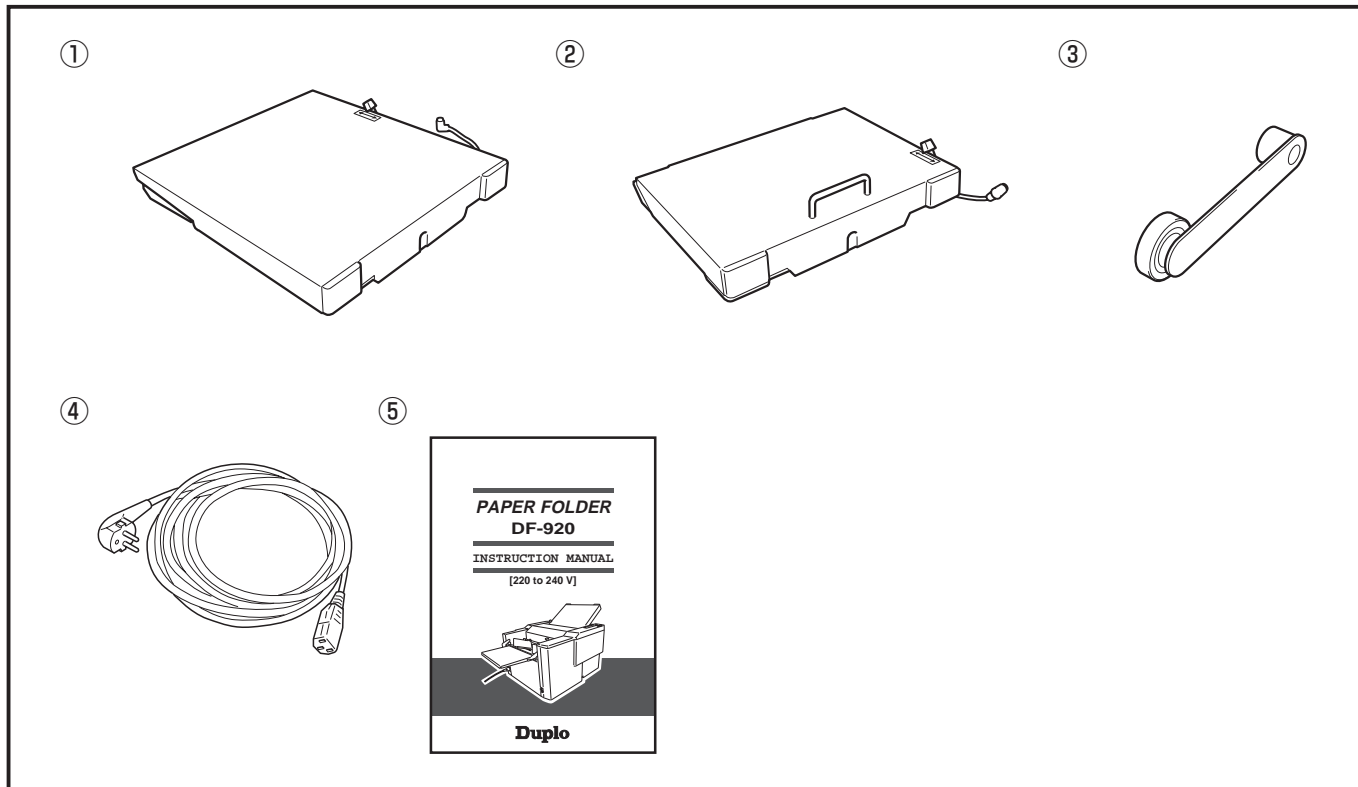


Do not use flammable sprays or solvent inside or near the unit (e.g. when cleaning the unit). Such flammable gas may ignite and cause a fire or combustion. Such solvents may damage the rubber rollers and resin inside the unit, resulting in malfunctions.

4. INSTALLATION

4-1. Standard Accessories

Confirm that the following parts are provided.

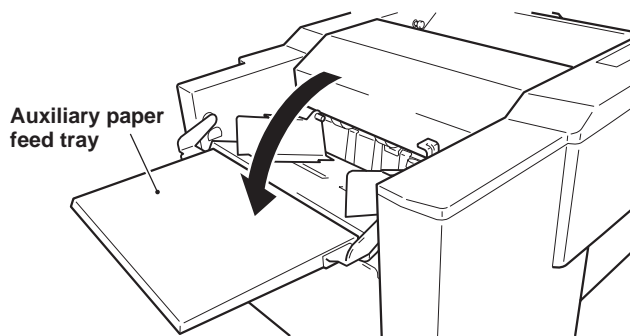


No.	Name	Qty.	Remarks
①	Folding plate 1	1	
②	Folding plate 2	1	
③	Cross folding guide	1	Auxiliary part for cross folding
④	Power cord	1	
⑤	Instruction manual	1	This manual

4. INSTALLATION

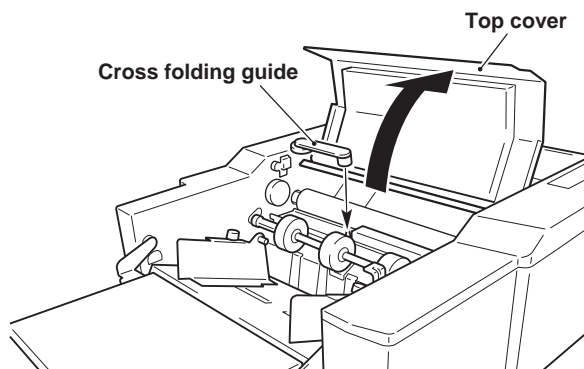
4-2. Installation Procedure

1 Open the auxiliary paper feed tray.

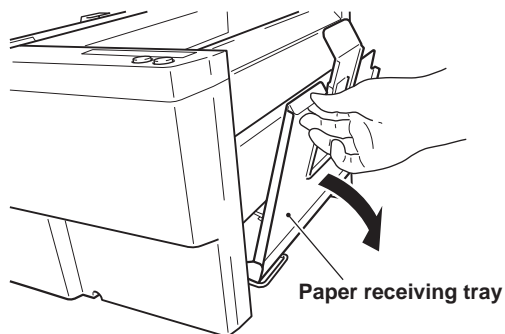


2 Open the top cover, and place the cross folding guide as shown in the figure. After setting, close the top cover properly.

Note If the top cover is open, the unit will not operate.

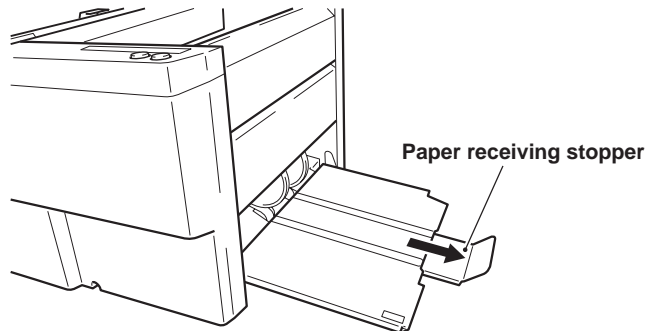


3 Open the paper receiving tray.



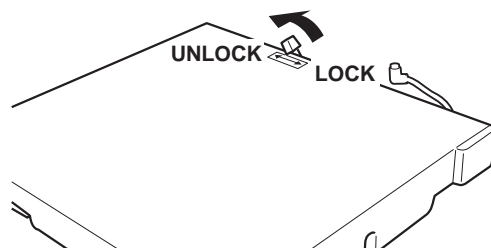
4 Extend the paper receiving stopper.

- Adjust the stopper according to the paper size and folded shape.



5 Attach folding plate 1.

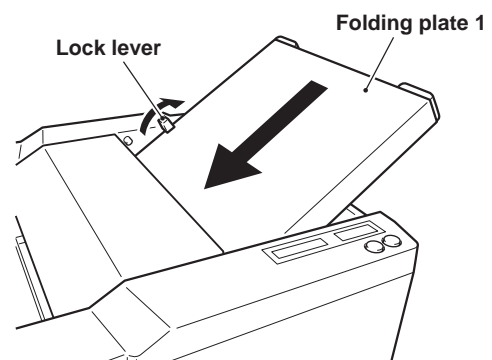
- ① Push the lock lever on folding plate 1 towards "UNLOCK".



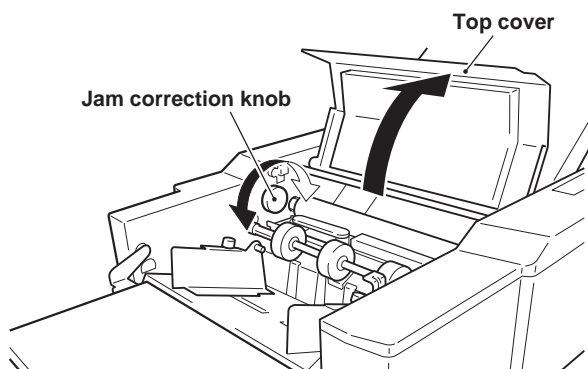
- ② Insert folding plate 1 into the unit.

Note When inserting the folding plate, be sure to hold it with both hands.

- ③ Push the lock lever towards "LOCK", and secure folding plate 1.

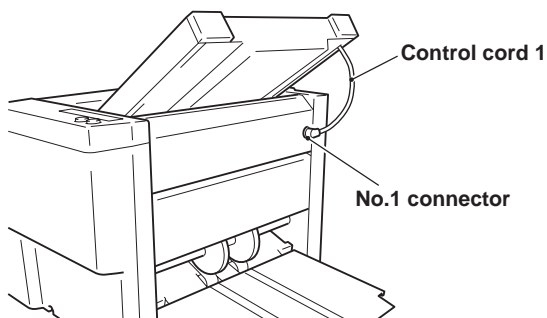


- ④ Open the top cover, rotate the jam correction knob to check that folding plate 1 is properly secured. If the knob rotates smoothly, it means that folding plate 1 is secured.



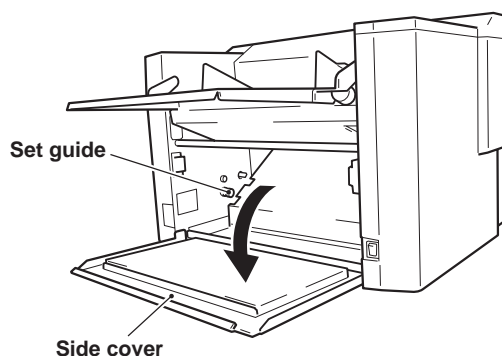
- ⑤ Connect control cord 1 of folding plate 1 to the No.1 connector.

Note Be sure to turn off the power before connecting or disconnecting the control cord. Otherwise the unit will malfunction.

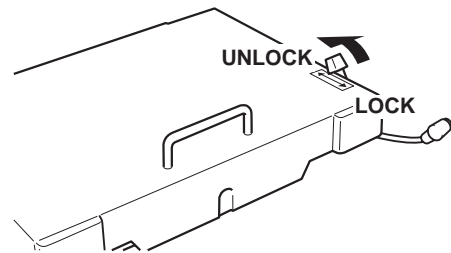


6 Attach folding plate 2.

- ① Open the side cover.

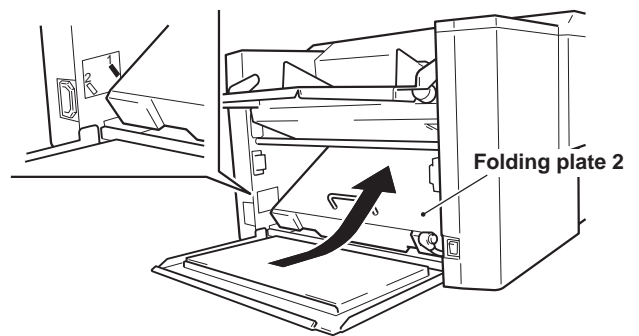


- ② Push the lock lever on folding plate 2 towards "UNLOCK".

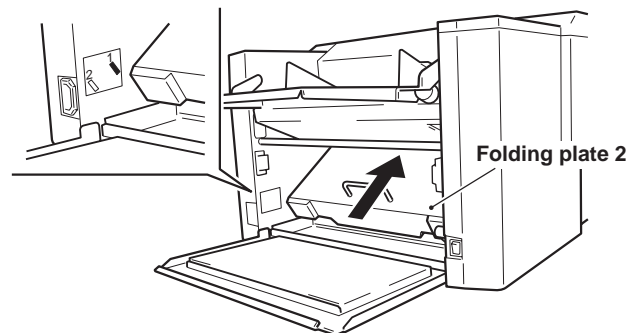


- ③ Push in folding plate 2 along the set guide to the "2 (□)" mark. The safety stopper locks at this position.

Note Be sure to insert the folding plate holding the handle with both hands.



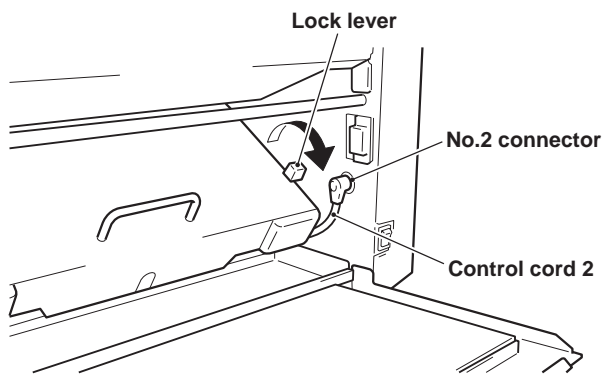
- ④ While slightly lifting folding plate 2 with the handle, push in it to the "1 (■)" mark.



4. INSTALLATION

- ⑤ Push the lock lever towards "LOCK", and secure folding plate 2.
- ⑥ Move folding plate 2 up and down with the handle to check that it is secured.
- ⑦ Open the top cover, rotate the jam correction knob to check that folding plate 2 is properly secured again. If the knob rotates smoothly, it means that folding plate 2 is secured.
- ⑧ Connect control cord 2 of folding plate 2 to the No.2 connector.

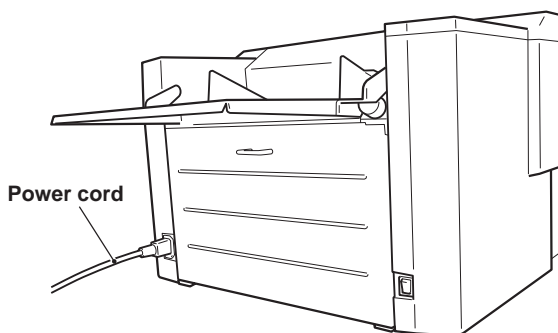
Note Be sure to turn off the power before connecting or disconnecting the control cord. Otherwise the unit will malfunction.



- ⑨ Close the side cover properly.

Note If the side cover is open, the unit will not operate.

7 Connect the power cord to the unit.

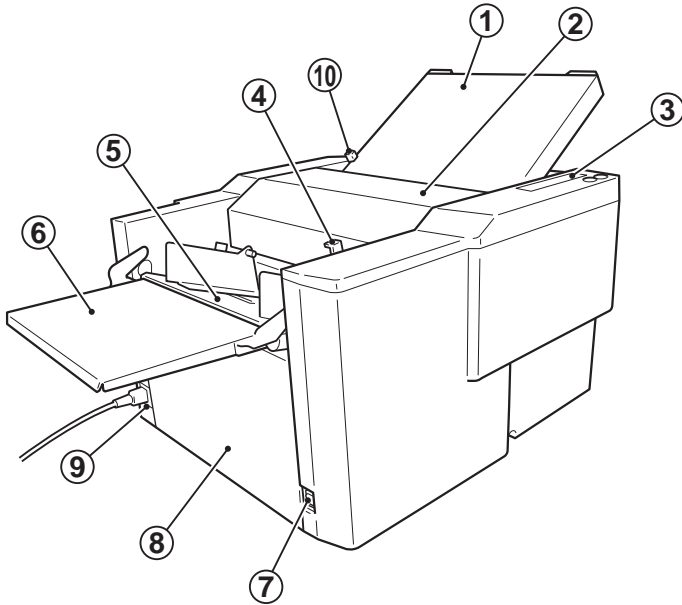


8 Insert the power plug into the outlet.

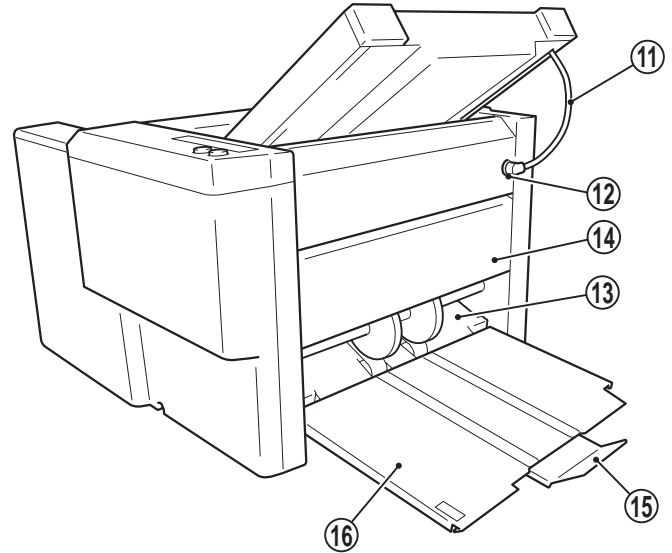
5. NAMES AND OPERATION OF PARTS

5-1. External Parts

<Paper feed side>



<Paper ejection side>

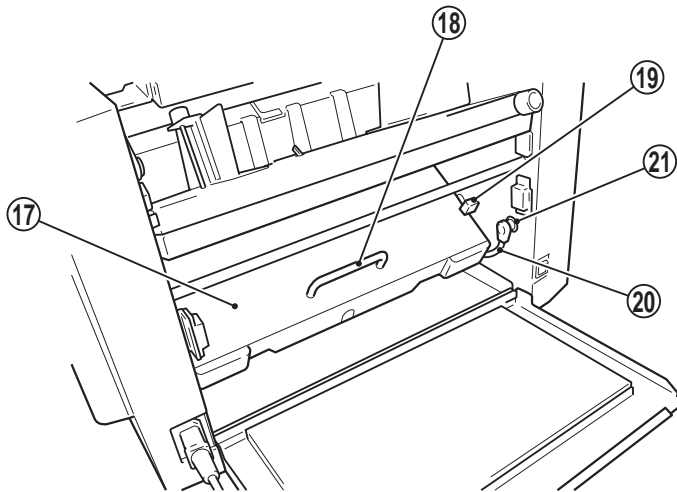


No.	Name	Operation
①	Folding plate 1	Guide plate for deciding the paper folding position
②	Top cover	Safety cover to prevent the user from touching the moving parts
③	Control panel	For operating the unit
④	Paper feed pressure adjusting lever	For adjusting the paper feed pressure
⑤	Paper feed tray	For stacking the paper to be folded
⑥	Auxiliary paper feed tray	For ensuring paper are stacked on the paper feed tray properly
⑦	Power switch	For turning on/off the power
⑧	Side cover	For reducing operating sounds
⑨	Power inlet	For connecting external power
⑩	Folding plate 1 lock lever	For securing folding plate 1
⑪	Control cord 1	For controlling folding plate 1
⑫	No.1 connector	For inserting control cord 1
⑬	Paper ejection section	Section which ejects folded paper from the unit
⑭	Paper ejection section cover	For reducing operating sounds from the paper ejection section
⑮	Paper receiving stopper	For aligning ejected paper
⑯	Paper receiving tray	For receiving folded paper ejected out

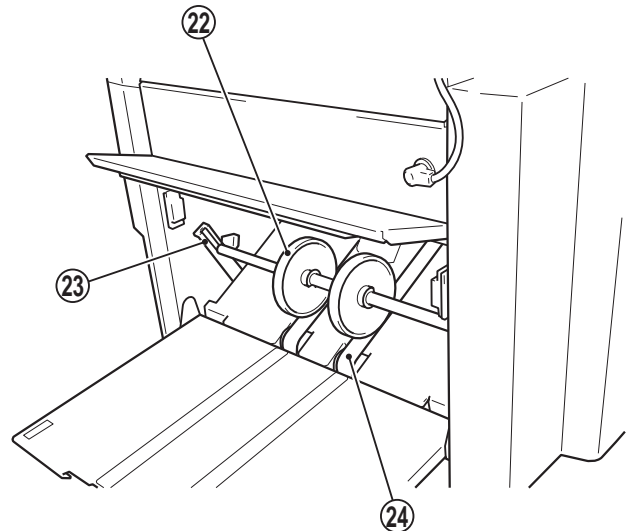
5. NAMES AND OPERATION OF PARTS

5-2. Internal Parts

<Inside side cover>

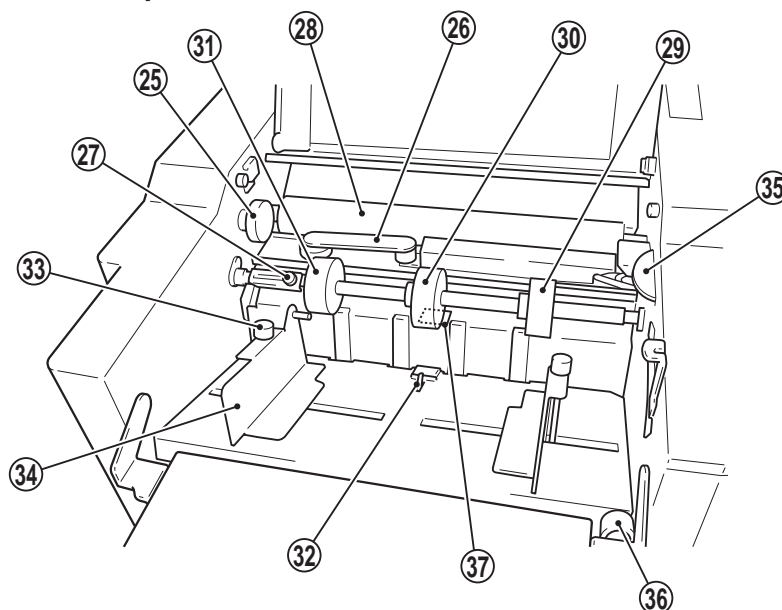


<Inside paper ejection section cover>



No.	Name	Operation
⑰	Folding plate 2	Guide plate for deciding the paper folding position
⑱	Folding plate 2 handle	For attaching/removing folding plate 2
⑲	Folding plate 2 lock lever	For securing folding plate 2
⑳	Control cord 2	For controlling folding plate 2
㉑	No.2 connector	For inserting control cord 2
㉒	Stacker roller	Functions together with the stacker belt to eject folded paper from the unit.
㉓	Stacker support	For supporting the stacker roller. The height of the roller can be adjusted.
㉔	Stacker belt	For ejecting folded paper from the unit

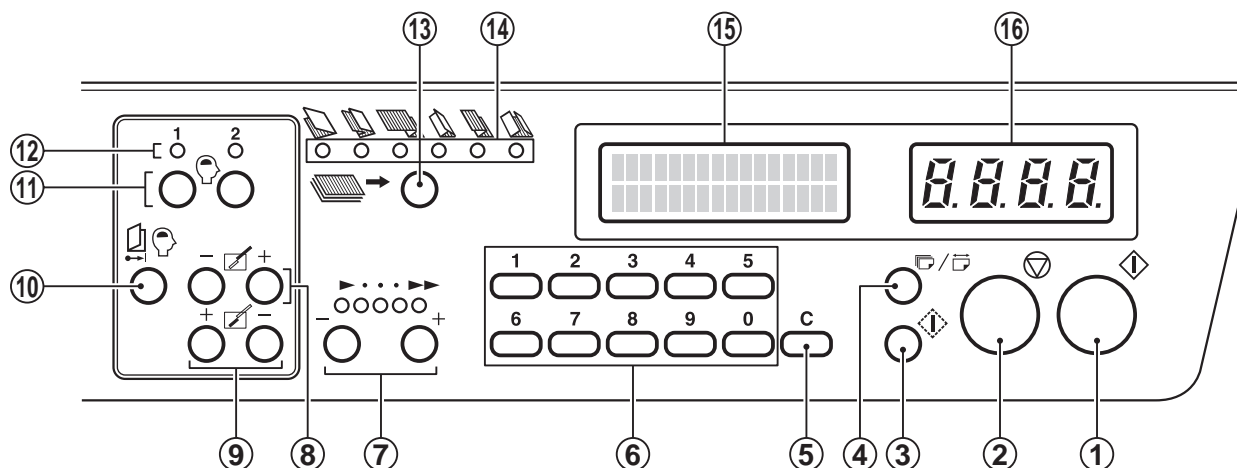
<Inside top cover>



No.	Name	Operation
25	Jam correction knob	For rotating the folding rollers when paper has jammed inside the unit or when cleaning the unit
26	Cross folding guide	For holding down the folded paper when cross folding
27	Set knob	Screw for securing the auxiliary paper feed ring (movable)
28	Folding roller	For folding paper
29	Auxiliary paper feed ring	For holding down curled paper for reliable paper feed
30	Paper feed ring	For feeding paper
31	Auxiliary paper feed ring (movable)	Movable according to the paper size in cross folding
32	Paper switch	For detecting the presence of paper
33	Guide fixing screw	For securing the paper feed guide
34	Paper feed guide	For holding paper stacked on the paper feed tray firmly
35	Separating pressure adjusting dial	For adjusting the paper separating pressure
36	Skew correction knob	For correcting skewed paper feed
37	Paper separator	For separating paper

6. CONTROL PANEL

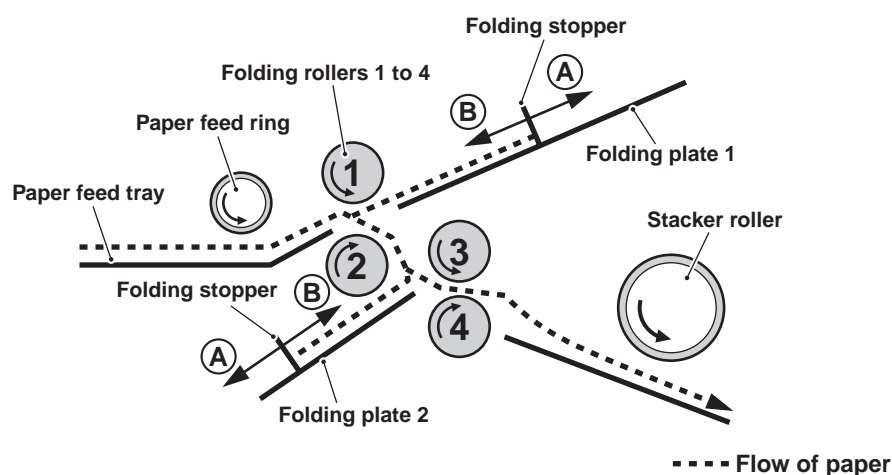
6-1. Names and Operation of Control Panel



No.	Name	Operation
①	Start key	Press to start paper folding.
②	Stop key	Press to stop paper folding.
③	Test key	Press to test fold two sheets of paper.
④	No. of sheets/Paper length key	Press to switch between the mode for entering the number of sheets to be processed and that for entering the paper length. When entering the paper length, register the value entered with this key.
⑤	Clear key	Press to change or erase the number of sheets to be processed or paper length entered.
⑥	Numerical keys (0 to 9)	Press to enter the number of sheets to be processed or paper length.
⑦	Speed key	Press to select the processing speed from five levels. The processing speed needs to be changed according to the size and thickness of the paper used. Pressing the “+” key increases the speed. Pressing the “-” key decreases the speed.
⑧	Folding plate 1 folding stopper adjusting key	Press to adjust the position (folding position) of the folding stopper of folding plate 1. Every time the “+” key on the right is pressed, the folding stopper moves in direction ㉠ shown in the figure on the next page. Every time the “-” key on the left is pressed, the folding stopper moves in direction ㉡ shown in the figure on the next page. The folding stopper moves by 0.125 mm every time the key is pressed, and moves by 1 mm when pressed eight times. Pressing this key continuously moves the folding stopper continuously within the range set. If the paper is more than ± 5 mm of standard paper size, take it to be non-standard size paper instead of adjusting the folding position with this key. See “◆ Correction range” (p.27)
⑨	Folding plate 2 folding stopper adjusting key	Press to adjust the position (folding position) of the folding stopper of folding plate 2. Every time the “+” key on the left is pressed, the folding stopper moves in direction ㉠ shown in the figure on the next page. Every time the “-” key on the right is pressed, the folding stopper moves in direction ㉡ shown in the figure on the next page. The other functions are the same as the ⑧ Folding plate 1 folding stopper adjusting key.

No.	Name	Operation
⑩	Adjustment registration key	If the position of the folding stopper has been finely adjusted in standard folding operations, the adjustment value can be registered with this key. A total of 36 different adjustment values can be registered (6 standard folding modes × 6 standard paper sizes). The registered data is preserved even after the power is turned off. To erase the registered data, select the paper size and folding mode to be erased. Next press this key until the buzzer sounds “pi.pi...” for about two seconds, and then press it continuously for another two seconds until the buzzer sounds “pi...”. (Four seconds in total)
⑪	Custom folding registration key	Press to register the position of the folding stopper and stacker roller which have been moved when using custom folding modes. Up to two individual paper folding modes can be registered for custom folding. The registered data is preserved even after the power is turned off. To erase the registered data, continue pressing the custom folding registration key “1” or “2” registering the data to be erased until the buzzer sounds “pi...”.
⑫	Custom folding registration lamp	When this lamp is lit, it means that the custom folding mode is registered. The custom folding mode cannot be selected if it has not been registered with the ⑪ Custom folding registration key .
⑬	Folding mode key	Press to select the folding mode from six standard folding modes. When the power is turned on, the lamp of the single-folding mode lights up. Each time this key is pressed, the folding mode lamp lights up in order towards the right. If a custom folding mode is registered with the ⑪ Custom folding registration key , the custom folding mode can be selected.
⑭	Standard folding lamp	Displays the folding mode selected from six standard folding modes. When a folding mode registered with the folding stopper position adjustment value is selected, the corresponding lamp blinks.
⑮	Liquid crystal display (LCD)	Displays the size of standard paper stacked on the paper feed tray (A3 to B6), paper length registered, and error messages.
⑯	Numerical display (Counter)	Displays the paper length or number of sheets to be processed entered with the numerical keys.

<Outline of paper folder>



6-2. Description of LCD

(1) Example of LCD message in standard paper/standard folding

```
A4      +3.0/-1.0
STAND BY      I
```

- The "A4" displayed at the top left of the screen indicates the paper size.
- "+3.0" indicates that the folding stopper of **folding plate 1** is set 3 mm from the automatically set position in direction **A** shown in the figure on the previous page.
- "-1.0" indicates that the folding stopper of **folding plate 2** is set 1 mm from the automatically set position in direction **B** shown in the figure on the previous page.
- The "STAND BY" displayed at the bottom is the area where messages are displayed.
When "I" or "REF" is displayed at the bottom right and "FIX" is displayed at the top left, it means that these additional functions are currently being used.



"17. ADDITIONAL FUNCTIONS" (→ p.45)

(2) Example of LCD message in standard paper/standard folding (single folding)

```
A4      0.0/ ...
STAND BY
```

As **folding plate 2** is not used in single folding, the display area of the folding stopper of folding plate 2 shows "...".
This indicates that the folding stopper of folding plate 2 is at the home position*.

* Home position means the starting position of the folding stoppers of folding plates 1 and 2.

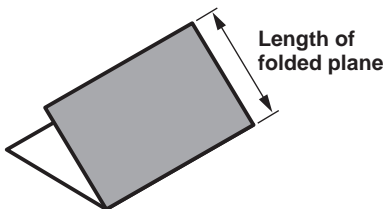
(3) Example of LCD message in non-standard paper/standard folding

```
280mm  +4.0/-2.0
STAND BY
```

- "280mm" displayed at the top left of the screen indicates the paper length.
- "+4.0" indicates that the folding stopper of **folding plate 1** is set 4 mm from the automatically set position in direction **A** shown in the figure on the previous page.
- "-2.0" indicates that the folding stopper of **folding plate 2** is set 2 mm from the automatically set position in direction **B** shown in the figure on the previous page.

(4) Example of LCD message in custom folding

```
CF-1 140.0/ 50.0
STAND BY
```



- The "CF-1" displayed at the top left of the screen indicates that custom folding mode 1 is selected.
- "140.0" indicates that the length of the folded plane by **folding plate 1** (see left figure) will be about 140 mm.
- "50.0" indicates that the length of the folded plane by **folding plate 2** will be about 50 mm.



Note The value displayed by the LCD is an approximate, and the actual folded size may differ according to the thickness and characteristics of the paper used.

6-3. Energy Saving Mode Function

This unit has the following two functions for saving energy.

(1) Backlight automatic OFF function of LCD

The backlight of the LCD will go off automatically if the unit is not used for a certain period of time. At shipment, the backlight is set to go off in 30 seconds.

(2) Power still ON alert function

If the unit is not used for a certain period of time, the buzzer will sound to indicate that the unit power is on.



Note At shipment, this function is set to OFF. To set it ON (enabled), contact your nearest dealer.

6-4. Types of Buzzer Sounds

This unit sounds the verification buzzer when keys on the control panel are pressed or when paper has run out on the paper feed tray. The different types of buzzer are as follows.

● “Pi”

Normal operating sound when the numerical key is entered, etc.

● “Pi.Pi.Pi”

Warning buzzer to indicate operation error or that paper has run out.

● “Pi...Pi...”

Indicates that the stop key has been pressed or the entered number of sheets to be processed has been reached.

● “Pi.Pi...”

Indicates that a registration procedure (paper length registration, standard folding correction registration, custom folding registration, etc.) has been completed.

● “Pi...Pi...Pi...”

Indicates that problems such as paper jamming have occurred.

● “Pi...”

Indicates that a registered value has been cleared.

7. PRECAUTIONS PRIOR TO USE

The following explains precautions to be understood prior to using this unit.

7-1. Paper Used

- If using folded or curled paper, flatten first prior to use.

Note Always pile up paper when storing. Also do not store paper in humid places.

- Make sure that the printing ink on the paper has dried completely prior to use.

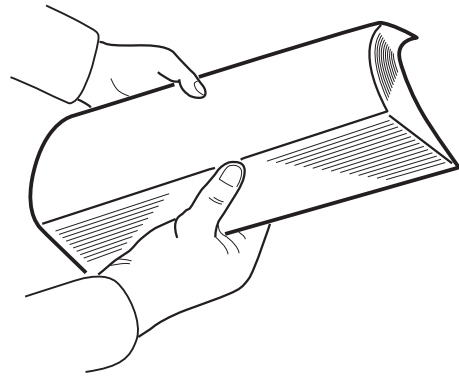
Otherwise, the ink will dirty the paper feed ring and folding roller, and this will not only lead to reduced folding performance, but the ink will also adhere to and dirty the folded paper.

- Use paper that has been cut at right angles.

Otherwise, problems such as folding misalignment will result.

- Fan paper just copied or printed well prior to use.

Paper just copied or printed contains considerable static electricity, and if not fanned well, problems such as double-feed will result.



Note In some cases, paper may not be fed smoothly into the folding plate due to the environment (temperature, humidity), paper thickness, paper type, paper grain direction, paper states (curled, etc.), and processing speed, etc., and as a result, the paper may not be folded properly. In such cases, lower the processing speed, or improve the paper states (curled, etc.) before use.

7-2. Precautions on Stacking Paper

- Do not stack paper on the paper feed tray with the left and right sides of the paper unaligned or some sheets protruding out.

This unit has an automatic standard paper size detection function. It automatically detects paper size at the paper feed guides.

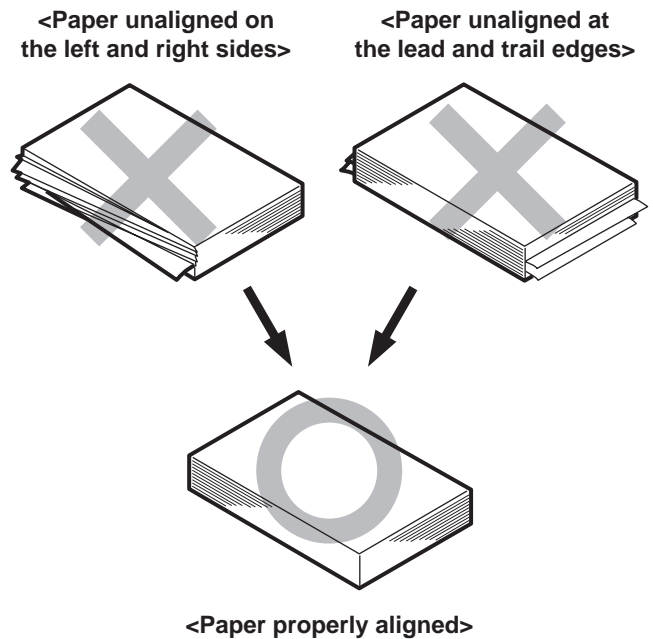
Therefore, if paper is protruding out from the left or right side, it is unable to detect paper size accurately and may determine standard paper as non-standard. It may also result in problems such as paper feed errors and folding misalignment, etc.

Be sure to align paper neatly when stacking.

- Do not stack paper on the paper feed tray with the lead and trail edges unaligned or some sheets protruding out.

This will result in unstable paper feed, and result in problems such as paper feed errors and folding misalignment, etc.

Be sure to align paper neatly when stacking.

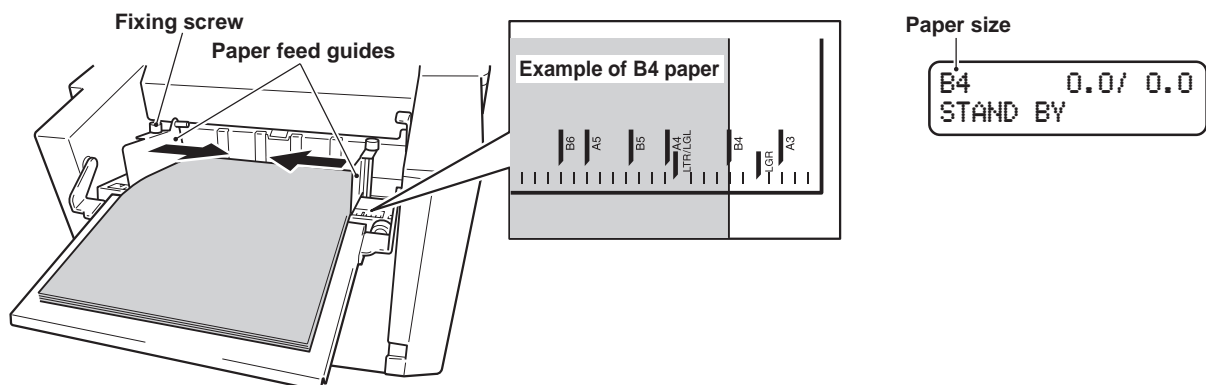


7-3. Automatic Detection of Paper Size

- Six standard paper sizes can automatically be detected by this unit: A3, B4, A4, B5, A5, and B6. For paper to be automatically detected, paper must be set in the short edge feeding direction.

Note For some paper, stacking paper on the paper feed tray in the long edge feeding direction will result in paper size detection error. (For example, if A4 paper is stacked in the long edge feeding direction on the paper feed tray, it will be detected as A3 size.)

- When paper is stacked on the paper feed tray according to the corresponding paper size on the tray scale, and the paper feed guides are secured at the scale position, the paper size is automatically detected. The detectable range is within ± 7 mm.
- When paper size is detected, it will be displayed at the top left of the LCD.

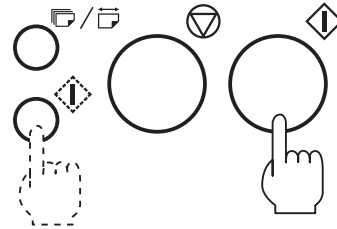
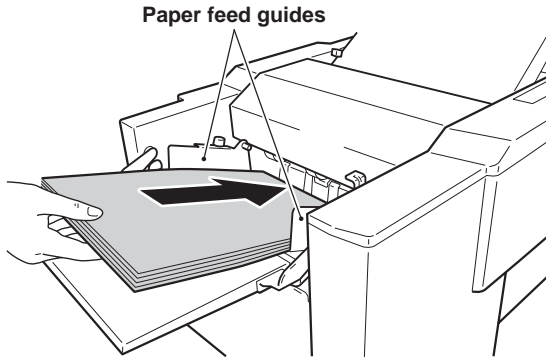


7. PRECAUTIONS PRIOR TO USE

7-4. Automatic Rise/Descent of the Paper Feed Tray

- When paper is stacked on the paper feed tray, the paper feed guides are set, and the start or test key is pressed, the paper feed tray rises automatically.

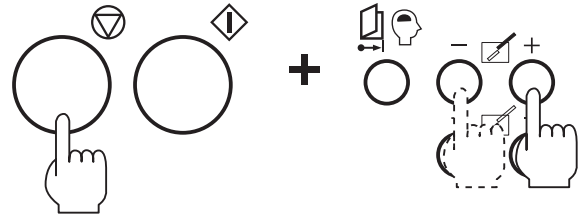
Note When using large or heavy paper, the paper feed tray may not be able to rise due to the weight of the paper. In such cases, stack less paper.



- The paper feed tray descends automatically when paper is removed from the paper feed tray. It will also descend automatically when paper runs out on the paper feed tray during a folding operation.

Raising/lowering paper feed tray manually

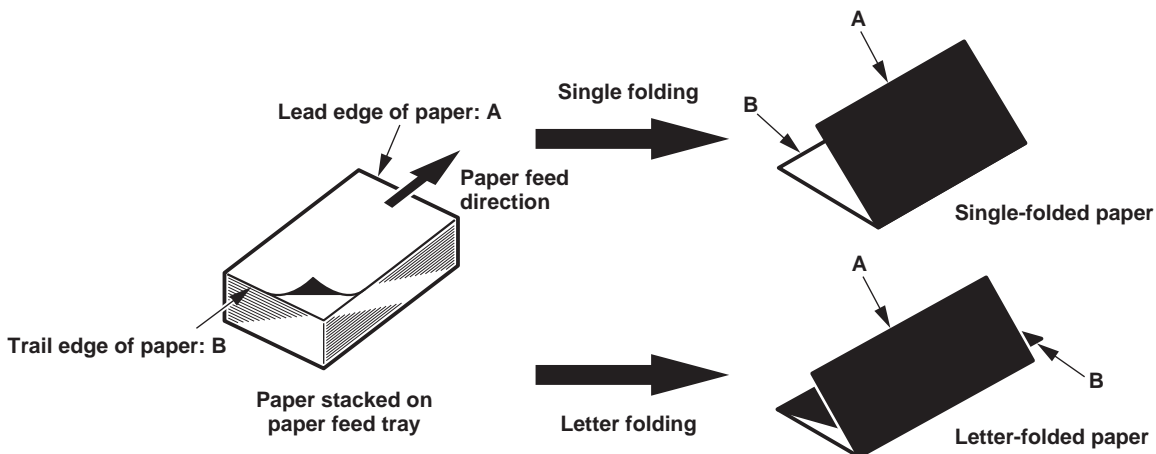
To raise the paper feed tray, press the "+" key of the folding plate 1 folding stopper adjusting key while pressing the stop key. To lower, press the "-" key.



7-5. Checking the Front/Back, Top/End of Paper

Check how the paper was placed on the paper feed tray (front/back, top/end), because this will affect the folding misalignment which may occur.

<Example> When paper with a white front and black back is finished in the following folding modes



7-6. Using the “QUICK START”

The QUICK START at the end of this manual outlines the most common paper folding procedure **standard folding of standard paper** to facilitate use of this unit, after having read this instruction manual once.

Use it as follows.

- Enlarge pages 1/2 and 2/2 of the QUICK START on a copy machine, and paste them on the wall in front of the unit for reference when operating this unit.
- Copy pages 1/2 and 2/2 in the same A4 size, and place them in a plastic file for reference when operating this unit.



Note When adding comments or changing the contents of the QUICK START, give consideration to safety.

8. PAPER FOLDING METHODS

The paper folding methods of this unit can broadly be divided into the following three types.

(1) Standard folding of standard paper

This is the basic paper folding operation of this unit. With this method, the “standard paper” designated by this unit is set to the standard folding mode displayed on the control panel and paper folding is performed.

(2) Standard folding of non-standard paper (folding by entering paper length)

With this method, the length of paper other than the standard paper designated by this unit (this is called “non-standard paper”) is registered, this paper is set to the standard folding mode displayed on the control panel, and paper folding is performed. The length of the paper registered is calculated to match the standard folding mode, and the positions (folding positions) of the folding stoppers of the folding plates are automatically set.

(3) Custom folding

Set the positions (folding positions) of the folding stoppers of folding plates 1 and 2 manually. As the stopper position (folding position) can be specified, it allows non-standard folding to be performed freely.



Note There are certain restrictions (unfoldable areas) according to the paper length, folding plate length, etc. for the above methods. For specific details of folding methods and restrictions, refer to the following chapters on folding methods.

- | | |
|--|----------|
| “9. STANDARD FOLDING OF STANDARD PAPER” | (☞ p.22) |
| “11. STANDARD FOLDING OF NON-STANDARD PAPER” | (☞ p.32) |
| “12. CUSTOM FOLDING” | (☞ p.35) |

9. STANDARD FOLDING OF STANDARD PAPER

Standard folding of standard paper is the basic operation of this unit.

9-1. Standard Paper

The standard paper designated by this unit consists of the following six types: A3, B4, A4, B5, A5, and B6.

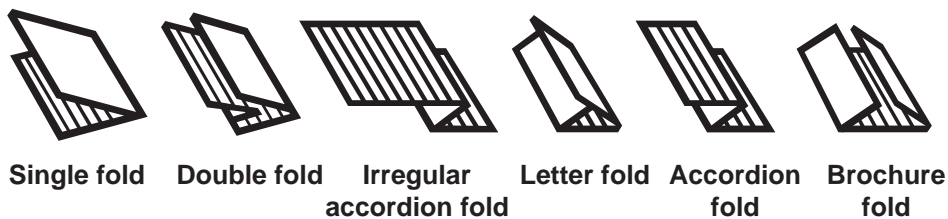
All of these sizes are valid only when stacked on the paper feed tray in the short edge feeding direction.

Paper size	L × W (mm)	Paper size	L × W (mm)
A3	420 × 297	B4	364 × 257
A4	297 × 210	B5	257 × 182
A5	210 × 148	B6	182 × 128

Note The above standard paper may not be usable for certain paper thickness in some cases. (Refer to "22. SPECIFICATIONS" (p.59).)

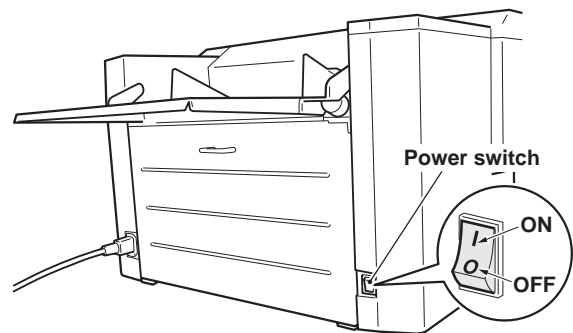
9-2. Standard Folding Modes

Six standard folding modes are available as shown below.



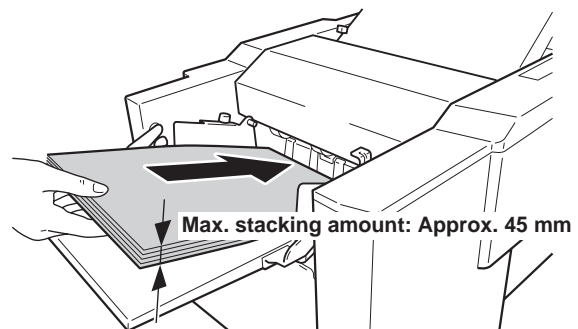
9-3. Operation Procedure

1 Turn on the power switch.



2 Stack paper on the paper feed tray.

- Do not overstack paper. Paper can be stacked up to a height of approx. 45 mm.
- Push in the paper until the lead edge touches the paper feed inlet lightly.

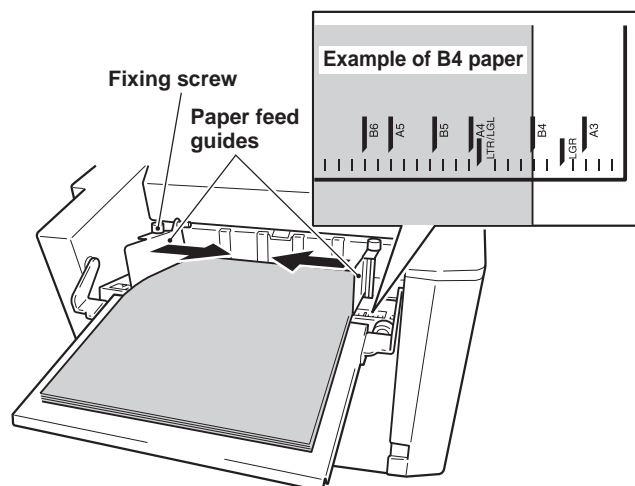


3 Move the paper feed guides to the corresponding paper size on the paper feed tray scale. Tighten the fixing screws to secure.

- The left and right paper feed guides move together.
- Be sure to tighten the fixing screws of the left and right paper feed guides. Otherwise, the guides will move while the unit is operating, causing folding misalignment along the sides of the paper.
- Be sure to adjust the paper feed guides to the paper feed tray scales. If the guides are positioned incorrectly, the automatic paper size detection function will not work, and the test key and start key, etc. will not operate.



Note Do not press the paper with the paper feed guides too strongly. Otherwise, paper feed errors such as mis-feed will occur.



4 Check the paper size displayed at the top left of the LCD.

- Paper size will not be displayed even if standard paper size is used if the paper feed guides are not set at the designated positions.

Set the paper feed guides at the correct positions.

- When set to the standard folding of non-standard paper, the top left of the LCD will show values in mm.



For details on standard folding of non-standard paper, refer to "11. STANDARD FOLDING OF NON-STANDARD PAPER" (p.32).

- When set to the custom folding, the automatic paper size detection function will not work and the paper size will not be displayed.

"CF-1" or "CF-2" is displayed on the top left of the LCD.



For details on custom folding, refer to "12. CUSTOM FOLDING" (p.35).

5 Press the folding mode key to select the folding mode.

- Each time the folding mode key is pressed, the standard folding lamp lights up in order from the leftmost single folding lamp towards the right.
 - If custom folding data is registered, the custom folding registration lamp will automatically light up after the standard folding lamp.
- If not registered, it will not light up.

<LCD message in standard paper/standard folding>

```
B4      0.0/ 0.0
STAND BY
```

<LCD message in non-standard paper/standard folding>

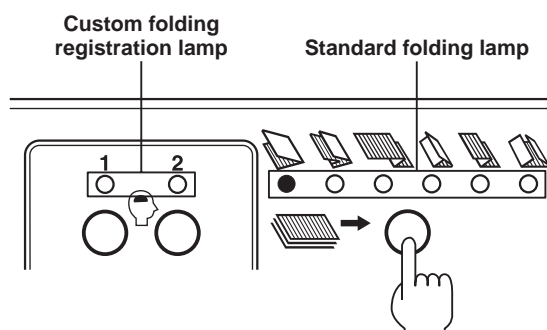
```
280mm  0.0/ 0.0
STAND BY
```

<LCD message in custom folding>

```
CF-1 150.0/ 0.0
STAND BY
```



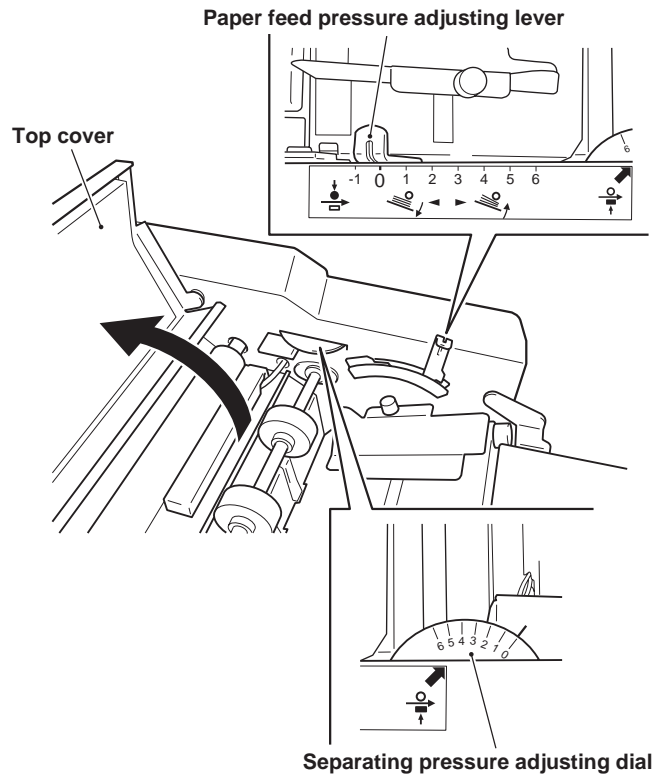
For details of LCD messages, refer to "6-2. Description of LCD" (p.16).



9. STANDARD FOLDING OF STANDARD PAPER

6 Set the paper feed pressure adjusting lever to "0".

- Move the adjusting lever to the left and right while pulling upwards.
- If paper slips and mis-feed occurs, increase the paper feed pressure by one from "0" to "1".
Paper feed pressure increases as the scale value increases.
- If several sheets of paper are fed at the same time (double-feed), decrease the paper feed pressure by one from "0" to "-1".



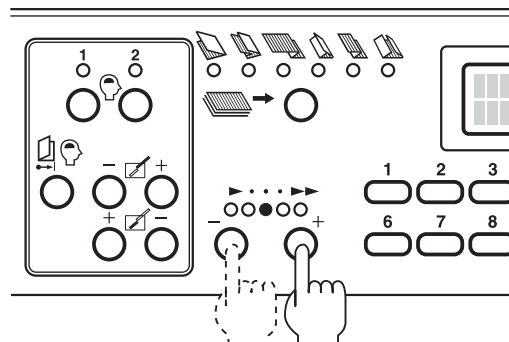
7 Open the top cover, and set the separating pressure adjusting dial to "0".

After setting, close the top cover.

- If several sheets of paper are fed at the same time (double-feed), increase the paper separating pressure gradually in steps of 0.5.
Paper separating pressure increases as the scale value increases.

8 Press the speed key to set the processing speed.

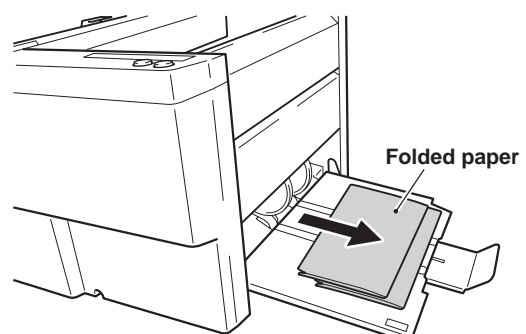
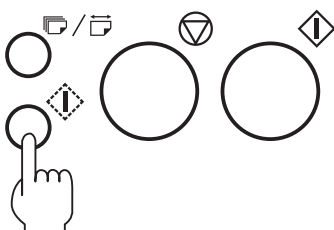
- When using thin and flimsy paper, setting the maximum processing speed causes problems such as paper jam and deformed folding. Set a lower processing speed.
- When the power is turned on, the last processing speed used is displayed.



9 Press the test key to perform test folding.

- When the test key is pressed, "WAIT" is displayed on the LCD, and the folding stopper starts moving to the set position.
When it completes moving, the message changes to "TEST RUN", and test folding starts.
- Test folding feeds two sheets of paper and allows the finish to be checked.
- Test folded paper are not counted in the number of sheets processed.

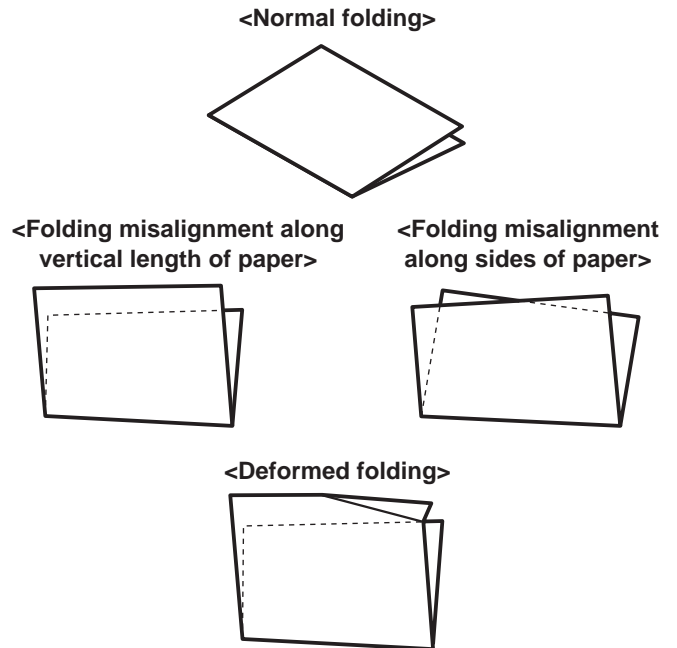
Note If the unit does not start even if the test key is pressed, the automatic paper size detection function may not be working. Check if the paper feed guides are at the appropriate paper size on the scale.
When the automatic paper size detection function starts working, the paper size will be displayed on the LCD.
(Refer to "7-3. Automatic Detection of Paper Size" (p.19).)



10 Check the finish of test folding.

- Check for folding misalignment using the second test folded sample.
- If folding problems occur, refer to the following pages according to the folded state.

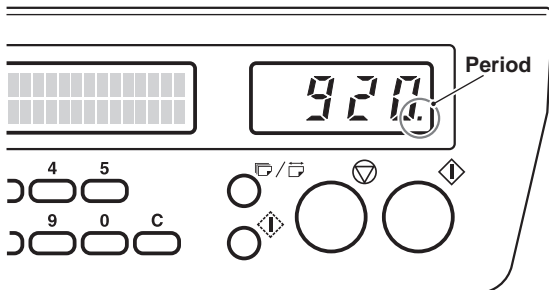
Folding misalignment along the vertical length of the paper (☞ p.27)
 Folding misalignment along the sides of the paper (☞ p.26)
 Deformed folding (☞ p.31)



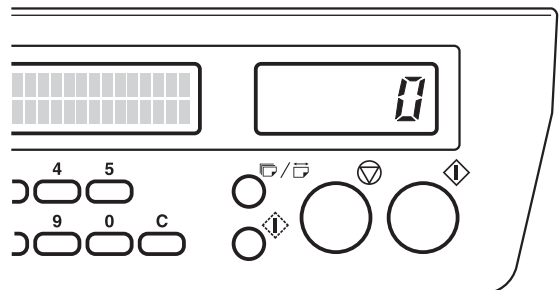
11 Select the method of using the counter.

- The counter can be used in two ways: subtract count and add count.
- Enter the number of sheets to be processed using the numerical keys first before beginning operations. In this case, the counter will be set to the subtract count method. (A period is displayed at the bottom right where the count is displayed.)
- If the clear key is pressed to clear the counter to “0” before beginning operations, the counter will be set to the add count method.
- Up to four digits (9999) can be displayed.

<Counter display for “Subtract count method”>



<Counter display for “Add count method”>

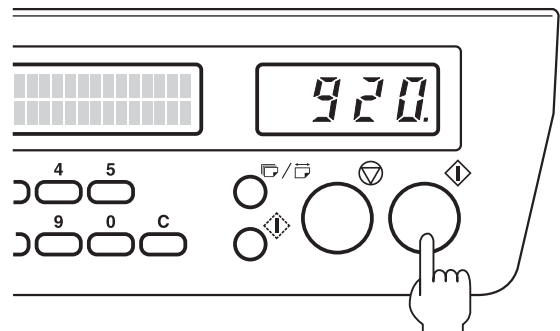


The following description is based on the subtract count method.

12 Press the numerical keys to enter the number of sheets to be processed.

13 Press the start key to start folding.

- To cancel operations halfway through, press the stop key. Pressing the start key another time resumes operations.
- When the number entered is reached in folding operations, the buzzer sounds “pi...pi...”, and paper feed will stop automatically.
- If the paper feed tray runs out of paper, the buzzer sounds “pi.pi.pi”, and the unit will stop automatically.



10. FOLDING MISALIGNMENT

Depending on the paper type, thickness, printing state, processing speed, etc., paper of the same size may be folded differently and folding misalignment may occur.

Folding misalignment consists of two types; “folding misalignment along the sides of the paper” and “folding misalignment along the vertical length of the paper”. Other than this, “deformed folding” may also occur due to paper characteristics, etc.

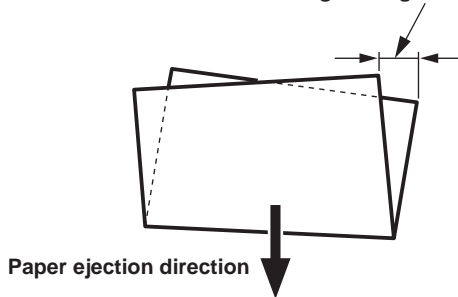
The following describes how to correct folding misalignments and deformed folding.

10-1. Correcting Folding Misalignment Along Sides of Paper

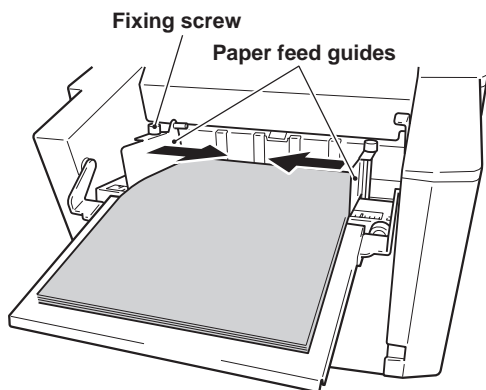
- When the folded paper is misaligned along the sides as shown in the figure due to slight misalignment when the paper was trimmed, paper printing state, dirty folding roller, etc., correct using the skew correction knob of the paper feed tray.

<Example of folding misalignment along sides of paper>

Folding misalignment at this part

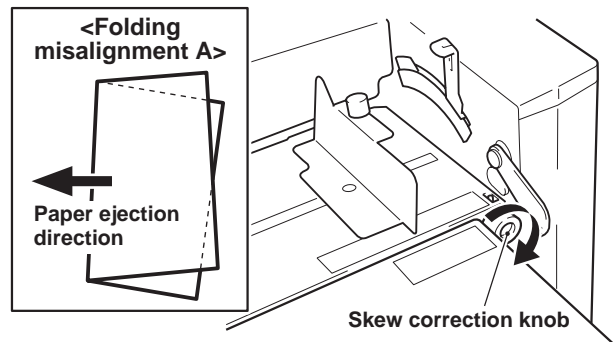


- Before adjusting with the skew correction knob, check that the paper feed guides are set correctly. Gaps between the paper and paper feed guides will cause folding misalignment along the sides to occur easily.

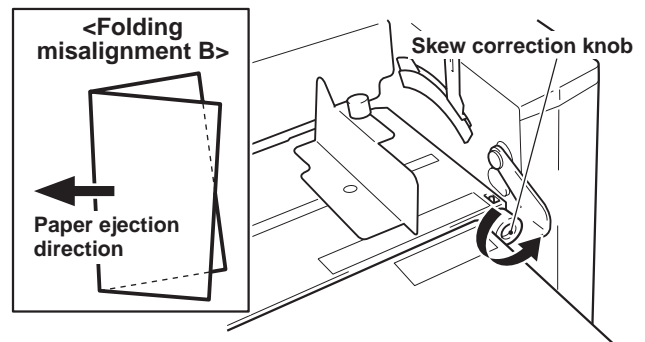


1 Rotate the skew correction knob and adjust.

- When the folding misalignment is as shown in Figure A, rotate the knob to the right (clockwise).

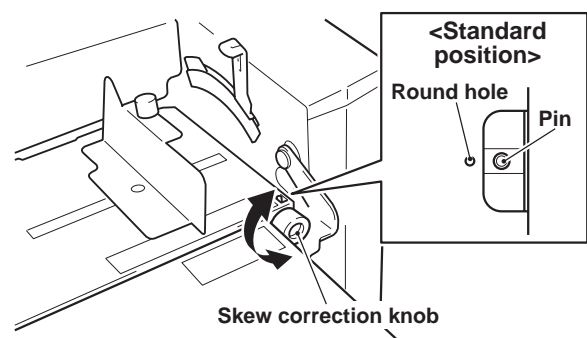


- When the folding misalignment is as shown in Figure B, rotate the knob to the left (counter-clockwise).



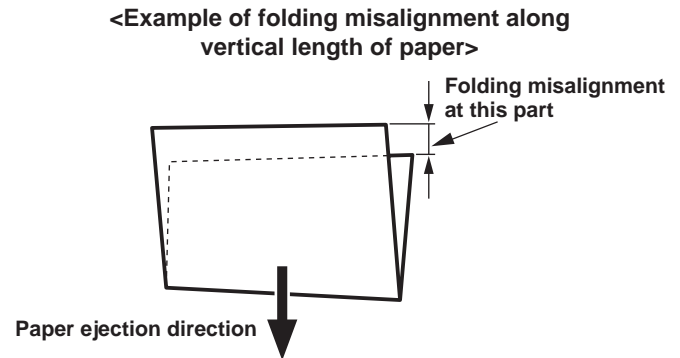
2 After completing folding operations, return the skew correction knob to the standard position.

- The position at which the round hole of the paper feed tray and pin match is the standard position.

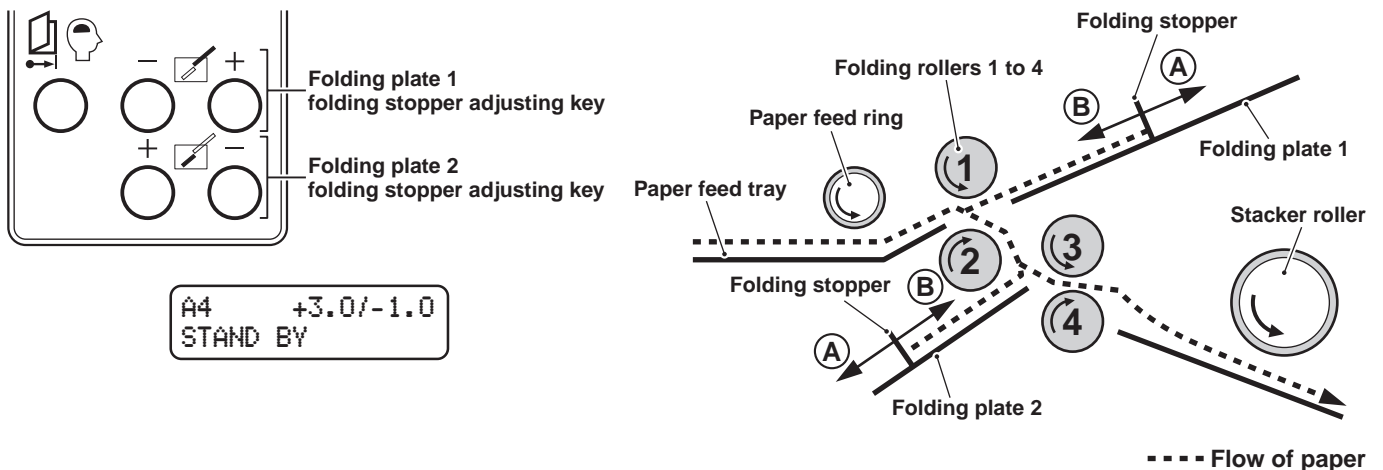


10-2. Correcting Folding Misalignment Along Vertical Length of Paper

- When the folded paper is misaligned along the vertical length as shown in the figure due to the paper thickness, type, printing state, etc., adjust the positions of the folding stoppers of folding plates 1 and 2 to correct the misalignment.



- Adjust the positions of the folding stoppers using the folding stopper adjusting keys of folding plates 1 and 2 on the control panel.
Pressing the “+” key moves the folding stoppers of folding plates 1 and 2 in the (A) direction of the figure. Pressing the “-” key moves in the (B) direction of the figure.
Each press moves the folding stopper by 0.125 mm.
(One folding stopper is provided inside folding plates 1 and 2 respectively. Folding stoppers cannot be seen from outside.)
- Values corrected by the folding stopper adjusting keys are displayed at the top of the LCD.



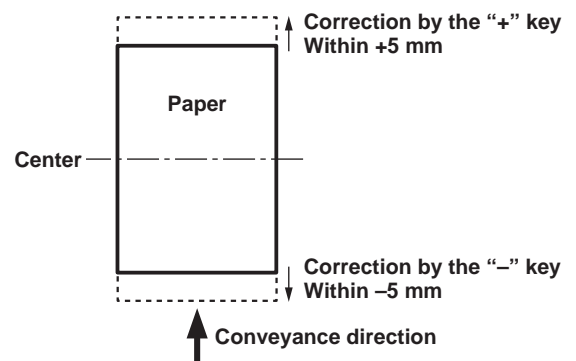
- Corrected values can be registered using the adjustment registration key.

See “◆ Adjustment registration procedure” (p.30)

Note Corrected values cannot be registered in the standard folding of non-standard paper. To register the folding stopper position, use the custom folding registration function.

◆ Correction range

- For standard folding, the adjustable range using the folding stopper adjusting key is within ± 5 mm from the center of the paper.
- If set exceeding ± 5 mm, the LCD shows “OUT OF CORRECT”, and the folding stoppers will stop at the ± 5 mm position of the adjustable range.



10. FOLDING MISALIGNMENT

◆ Correction restrictions

- The positions of the folding stoppers of folding plates 1 and 2 may not be adjustable to ± 5 mm according to the length of the paper used. This restriction is due to the length of the paper and length of folding plates 1 and 2.

The restricted folding plate and correction details differ according to the folding mode and paper length. Refer to the following table.

Folding mode	Minimum paper length that can be used	Restricted range of paper length*	Restricted folding plate and correction details
Double fold	182 mm	182 to 206 mm	Correction by “-” key of folding plate 2
Irregular accordion fold	182 mm	182 to 188 mm	Correction by “-” key of folding plate 1
		182 to 207 mm	Correction by “-” key of folding plate 2
Letter fold	141 mm	141 to 154 mm	Correction by “-” key of folding plate 2
Accordion fold	141 mm	141 mm	Correction by “-” key of folding plate 1
		141 to 155 mm	Correction by “-” key of folding plate 2
Brochure fold	128 mm	427 to 432 mm	Correction by “+” key of folding plate 1
		424 to 432 mm	Correction by “+” key of folding plate 2

* Range of paper length which cannot be corrected to ± 5 mm. The correction value differs according to the paper length.

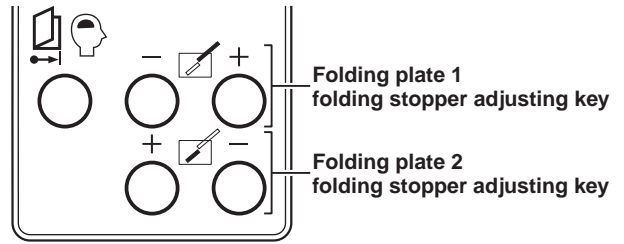
- If the correction value is within the restricted range when this correction value is set using the folding stopper adjusting key, the buzzer sounds “pi.pi.pi” and the LCD displays “OUT OF CORRECT”.

The message then changes to “STAND BY”. Set a valid correction value using the folding stopper adjusting key.

A4 +1.5/ ...
OUT OF CORRECT

◆ Example of correcting folding misalignment along vertical length of paper by folding mode

Correct folding misalignment along the vertical length of the paper in standard folding using the folding stopper adjusting keys of folding plates 1 and 2, referring to the following example.



Note The positions of the “+” and “-” folding stopper adjusting keys of folding plates 1 and 2 are located opposite to each other.

Adjusting key of folding plate 1				Adjusting key of folding plate 2				
Folding mode		State of folded plane A	Correction method	Folding mode		State of folded plane B	Correction method	
Single fold		A is long	Press the “+” key.	Single fold	* Folding plate 2 is not used in single folding.			
		A is short	Press the “-” key.					
Double fold		A is long	Press the “+” key.		Double fold		B is long	Press the “-” key.
		A is short	Press the “-” key.				B is short	Press the “+” key.
Irregular accordion fold		A is long	Press the “-” key.		Irregular accordion fold		B is long	Press the “-” key.
		A is short	Press the “+” key.				B is short	Press the “+” key.
Letter fold		A is long	Press the “+” key.	Letter fold		B is long	Press the “+” key.	
		A is short	Press the “-” key.			B is short	Press the “-” key.	
Accordion fold		A is long	Press the “-” key.	Accordion fold		B is long	Press the “+” key.	
		A is short	Press the “+” key.			B is short	Press the “-” key.	
Brochure fold		A is long	Press the “+” key.	Brochure fold		B is long	Press the “+” key.	
		A is short	Press the “-” key.			B is short	Press the “-” key.	

● The folding stopper moves by 0.125 mm every time the folding stopper adjusting key is pressed, and moves by 1 mm when pressed eight times. Pressing the adjusting key continuously moves the folding stopper continuously within the range set.

● The standard adjustable range is within ±5 mm. Some paper may not be correctable in this range due to restrictions.

See “◆ Correction restrictions” (👉 p.28)

● When correction of more than ±5 mm from the standard paper size is required, consider such paper as non-standard paper.

See “11. STANDARD FOLDING OF NON-STANDARD PAPER” (👉 p.32)

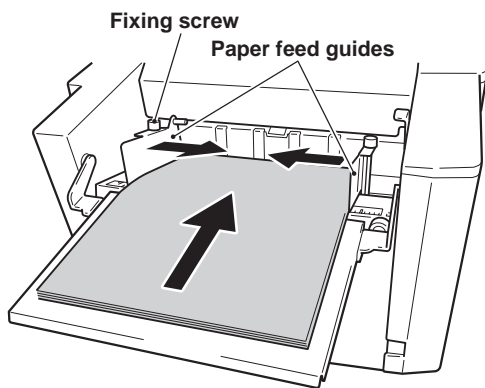
10. FOLDING MISALIGNMENT

◆ Adjustment registration procedure

- The adjustment value of folding misalignment along the vertical length of the paper can be registered using the adjustment registration key.
- A total of 36 different adjustment values can be registered (6 standard folding modes × 6 standard paper sizes (A3, B4, A4, B5, A5, and B6)).
- By registering adjustment, no adjustments need to be performed when performing folding operations under the same conditions (paper, folding mode, processing speed, etc.) as those at registration.

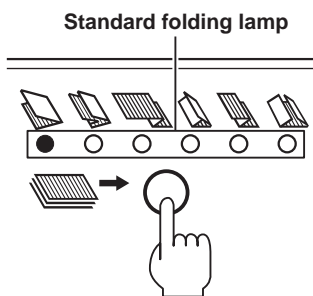
Note The adjustment registration function cannot be used for standard folding of non-standard paper and custom folding. Use the custom folding registration function.

- 1** Stack paper on the paper feed tray, and set the paper feed guides.



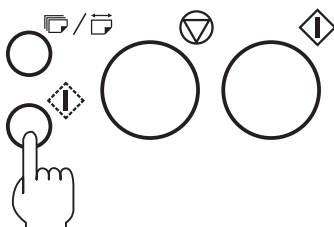
- 2** Press the folding mode key to select the folding mode.

- Each time the folding mode key is pressed, the standard folding lamp lights up in order towards the right. Folding modes whose lamps are blinking indicate that adjustment registration has been performed.



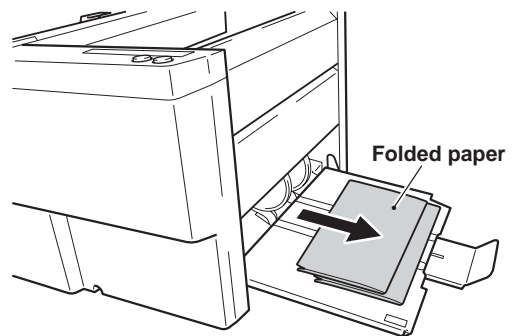
- 3** Press the test key to perform test folding.

- Test folded paper are not counted in the number of sheets processed.



- 4** Check for folding misalignment along the vertical length of the paper from the test folding results.

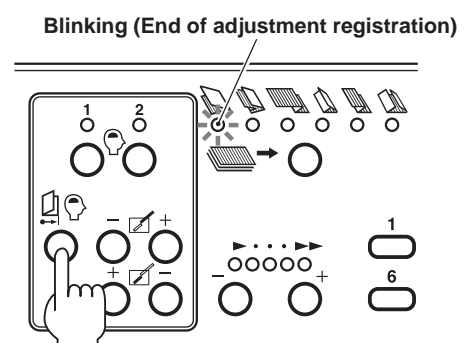
- Check for folding misalignment using the second test folded sample.



- 5** Correct folding misalignment along the vertical length of the paper using the folding stopper adjusting keys of folding plates 1 and 2. (→ p.27)

- 6** After adjusting the folding misalignment, press the adjustment registration key until the buzzer sounds “pi.pi...” (about two seconds).

- When adjustment registration completes, the lamp of the folding mode selected stops lighting and starts to blink.
- The adjustment value data registered is preserved even after the power is turned off.



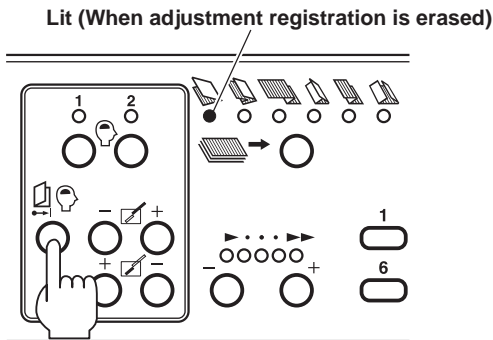
Correcting adjustment registration data

When the registration data of the paper size and folding mode to be corrected is set again and registered according to the above steps 1 to 6, the previous data will be rewritten.

Erasing adjustment registration data

- Display the registration data of the paper size and folding mode to be erased, and press the adjustment registration key until the buzzer sounds “pi.pi...” for about two seconds, and continue pressing for another two seconds until the buzzer sounds “pi...” (total four seconds).
- When the registration data is erased, the lamp of the folding mode selected stops blinking and lights up.

Note The adjustment registration data must be erased by registered paper size and folding mode. The data cannot be erased for all sizes and modes together.



(1) Is appropriate paper within the specifications used?

Do not use paper outside the specifications. Particularly, deformed folding occurs frequently in the use of thin, flimsy paper not appropriate for the paper folder.

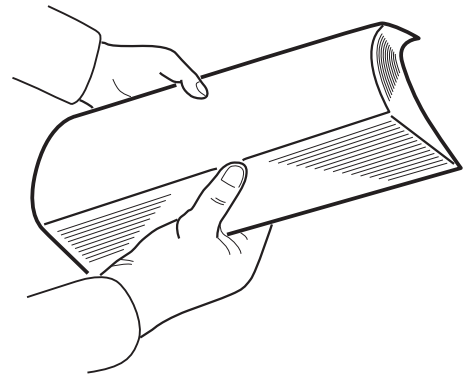
See “22. SPECIFICATIONS” (p.59)

(2) Is the processing speed too fast?

Lower the processing speed when deformed folding occurs for thin and flimsy paper.

(3) Was the paper fanned appropriately prior to stacking on the paper feed tray?

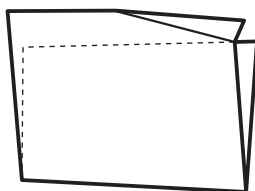
Fan paper well prior to stacking.



10-3. Correcting Deformed Folding

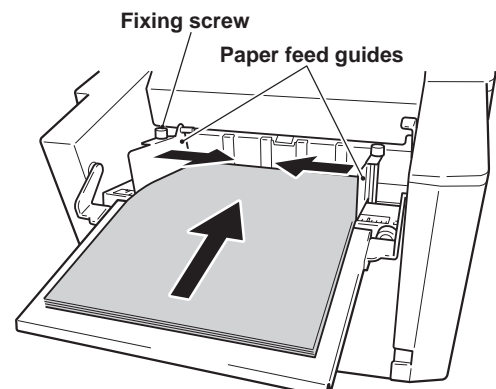
The paper fed to the folding plates may be folded without reaching the folding stoppers inside the folding plates due to the using environment (temperature, humidity), paper thickness, paper type, paper grain direction, paper state such as curling, processing speed, etc., resulting in deformed folding. If this occurs, check the following.

<Example of deformed folding>



(4) Is the paper stacked correctly on the paper feed tray?

Stack paper on the paper feed tray after aligning well, and set the paper feed guides at the correct positions. Also tighten the fixing screws of the paper feed guides firmly.



11. STANDARD FOLDING OF NON-STANDARD PAPER

Standard folding of non-standard paper is the process of registering the length of non-standard paper, setting the paper to a standard folding mode (six types) displayed on the control panel.

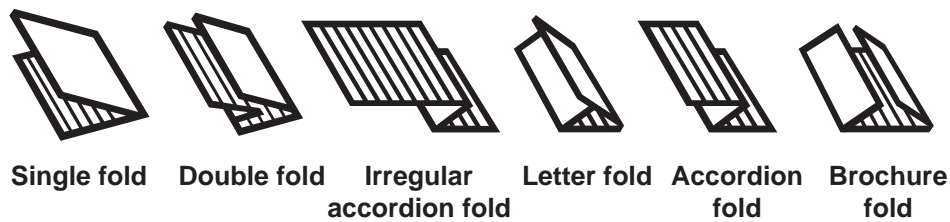
Non-standard paper

Paper other than the six standard paper specified by this unit A3, B4, A4, B5, A5, and B6 are called non-standard paper.

Note Standard paper size is the size of the paper stacked on the paper feed tray in the short edge feeding direction. Standard paper which is stacked on the paper feed tray in the long edge feeding direction is considered non-standard paper.

Standard folding

Six standard folding modes are available as shown below.



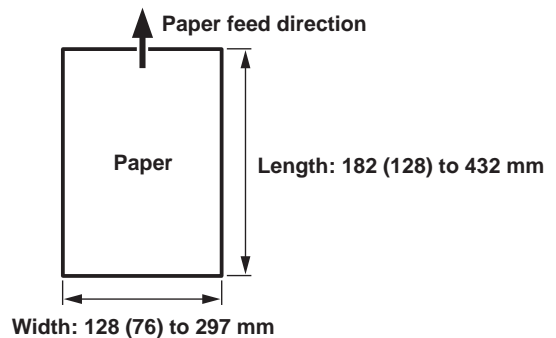
11-1. Paper Size Restrictions

Paper sizes which can be used are the sizes within the range shown on the right.

() shows the minimum foldable size under conditions given.

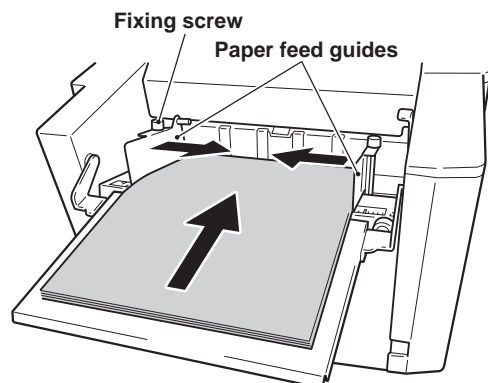
See "15-3. Folding B7, A6 Size Paper" (p.43)

Note The paper sizes which can be used may vary with the paper type, thickness, and printing state.



11-2. Operation Procedure

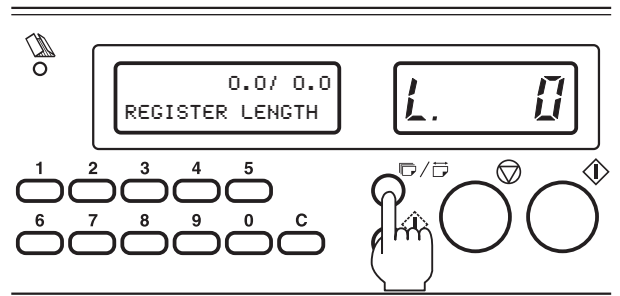
- 1 Stack paper on the paper feed tray, and set the paper feed guides.



2 Press the No. of sheets/Paper length key to switch from the mode for entering the number of sheets to be processed to the mode for entering the paper length.

- When switched to the mode for entering the paper length, the LCD shows “REGISTER LENGTH” and the numerical display shows “L. 0”.

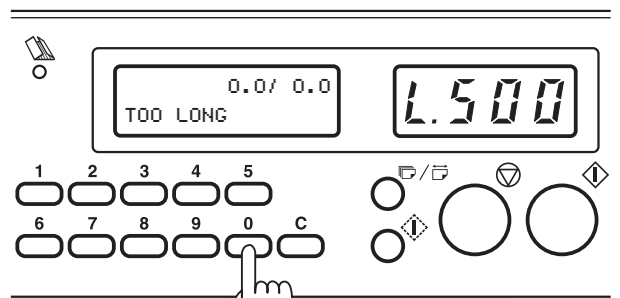
Note Using non-standard paper in settings for standard paper will result in detection errors due to the priority functioning of the automatic paper size detection, and the unit will not operate.



3 Measure the length of the non-standard paper used, and enter the length using the numerical keys.

- The paper length which can be entered ranges from 128 to 432 mm.
- If the value entered exceeds the allowable range, the buzzer sounds “pi.pi.pi”, and the LCD shows “TOO LONG” or “TOO SHORT”.

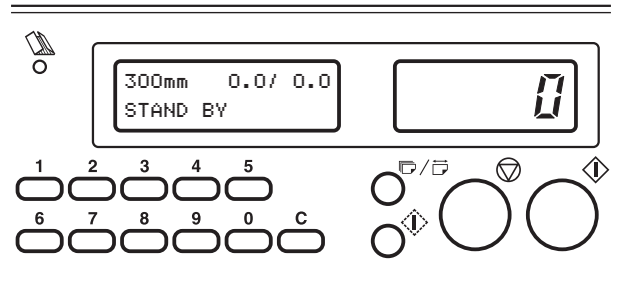
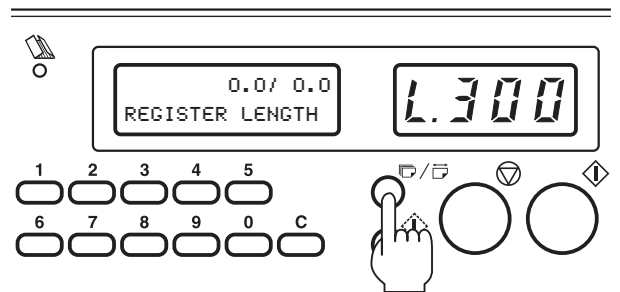
Note If the paper length has already been entered, press the clear key to clear this value before entering the length with the numerical keys.



4 Register the entered paper length.

- After entering the paper length, continue pressing the No. of sheets/Paper length key until the buzzer sounds “pi.pi...” (about two seconds).
- When registration completes, the value entered is shown on the LCD in mm. The numerical display switches to number of sheets to be processed.

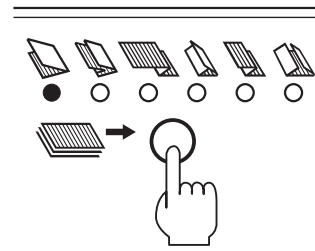
Note The paper length data registered is erased when the power is turned off. To save the registered data, set the refold mode or folding stopper fixed mode. (Refer to “17-2. Folding Stopper Operation Mode Setting Function” (p.46).)



11. STANDARD FOLDING OF NON-STANDARD PAPER

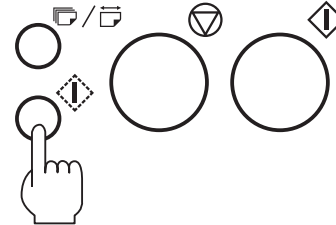
5 Press the folding mode key to select the folding mode.

- The registered paper length is calculated to match the selected standard folding mode, and the positions (folding positions) of the folding stoppers of folding plates 1 and 2 are calculated.



6 Press the test key to perform test folding.

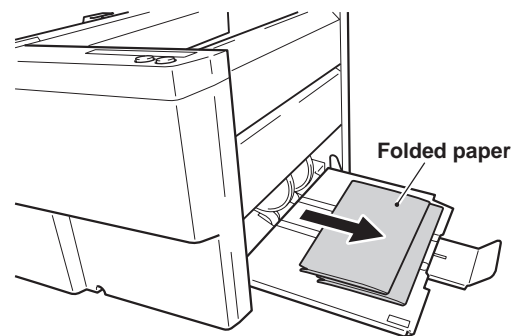
- The folding stoppers of folding plates 1 and 2 move to the folding positions calculated in step 5, and test folding starts.
- Test folded paper are not counted in the number of sheets processed.



7 Check the finish of test folding.

- Check the finish using the second test folded sample.
- When folding misalignment occurs, refer to “10. FOLDING MISALIGNMENT” (p.26).

Note In the standard folding of non-standard paper, the positions of the folding stoppers can be adjusted, but the adjustment values cannot be registered. To register the positions of the folding stoppers, use the custom folding registration function. (Refer to “12. CUSTOM FOLDING” (p.35).)

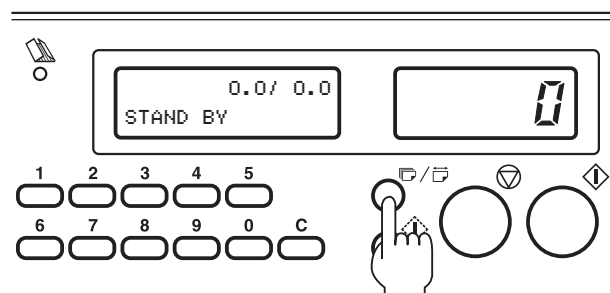


Other steps are the same as standard folding of standard paper.

See “9. STANDARD FOLDING OF STANDARD PAPER” (p.22)

To return to standard paper standard folding settings

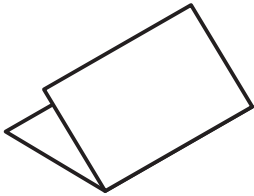
Press the No. of sheets/Paper length key.
The paper size displayed in mm at the top left of the LCD disappears.



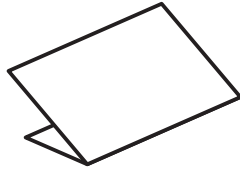
12. CUSTOM FOLDING

Custom folding is the method of folding paper by setting the positions (folding positions) of the folding stoppers of folding plates 1 and 2 manually. As the folding position can be specified, folding methods not available with standard folding can be performed freely.

<Standard single folding>



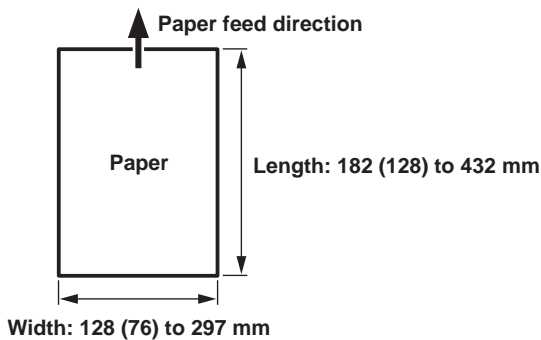
<Example of custom single folding>



12-1. Paper Size Restrictions

Paper sizes which can be used are the sizes within the range shown below. () shows the minimum foldable size under conditions given.

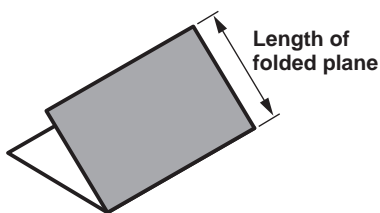
Note The paper sizes which can be used may vary with the paper type, thickness, and printing state.



However, the length of the folded plane (see figure below) which can be folded by folding plates 1 and 2 is restricted.

Folding plate 1: 42 to 325 mm
 Folding plate 2: 0 mm*/47 to 217 mm

* As folding plate 2 is not used in single folding, it is 0 mm.



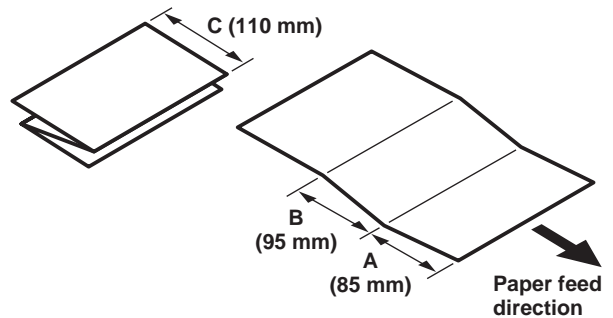
Note Incorrectly measuring the paper length or setting the folding stopper position can cause paper jamming inside the folding plate. If paper jams, refer to "18-3. When Paper Jams Inside Folding Plate" (p.49).

12-2. Operation Procedure

The following describes the custom folding procedure taking accordion fold as an example.

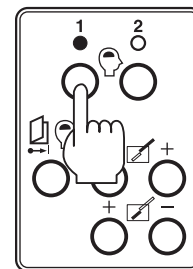
1 Prepare a sample of the required accordion fold manually with the paper used.

2 Measure the dimensions of the folded planes A and B of the sample, and folded paper length C.

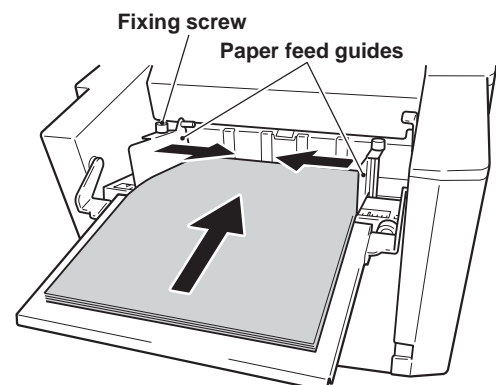


3 Press the custom folding registration key 1 or 2 until the buzzer sounds "pi.pi..." (about two seconds) to switch to the custom folding mode.

Note Be sure to press the custom folding registration key before starting custom folding settings.



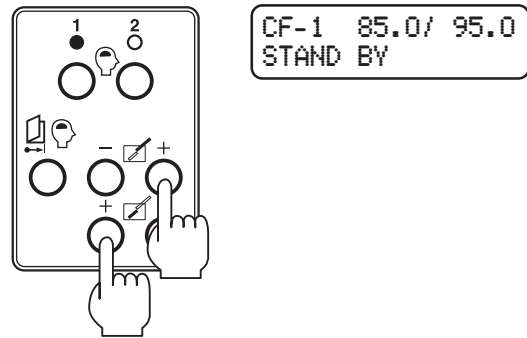
4 Stack paper on the paper feed tray, and set the paper feed guides.



12. CUSTOM FOLDING

5 Set the folding stopper positions of folding plates 1 and 2.

- Press the “+” key of the folding plate 1 folding stopper adjusting key and move the folding stopper to the measured dimensions A (85 mm) of the sample.
- Press the “+” key of the folding plate 2 folding stopper adjusting key and move the folding stopper to the measured dimensions B (95 mm) of the sample.
- The position moved to by the folding stopper is displayed in mm on the LCD.



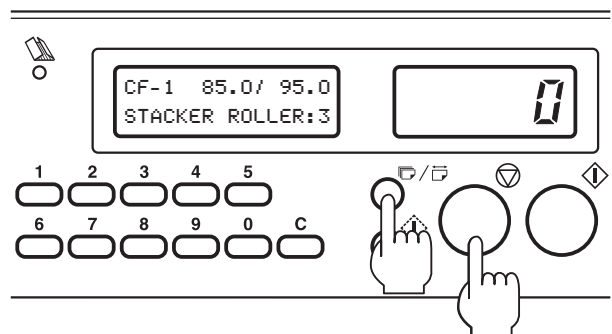
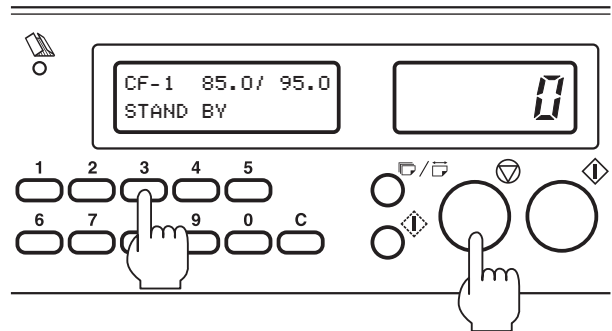
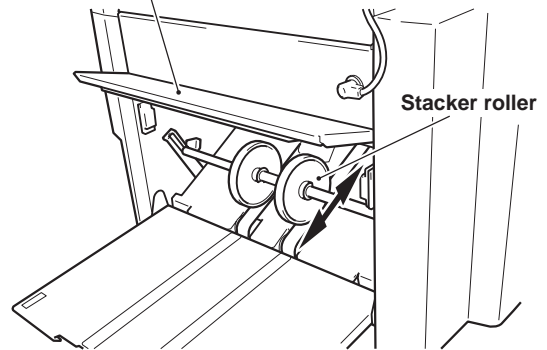
6 Set the position of the stacker roller.

- The position of the stacker roller needs to be changed according to the folded paper length.
- Selecting and pressing a numerical key (1 to 6) while pressing the stop key moves the stacker roller to the position set. Refer to the following table for approximate set positions.
- In this example, the folded paper length C is 110 mm. Therefore press the numerical key 3 while pressing the stop key.

Approximate stacker roller set position

Numerical key setting	Folded paper length (mm)
1	To 85
2	86 to 105
3	106 to 120
4	121 to 135
5	136 to 150
6	From 151

Paper ejection section cover



Checking the stacker roller position

Press the No. of sheets/Paper length key while pressing the stop key. The LCD shows the position of the stacker roller in the value set using the numerical key.

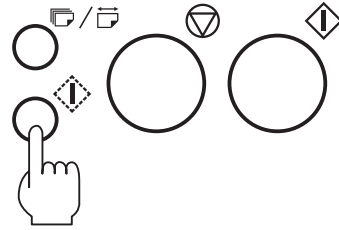
Opening/closing the paper ejection section cover

Set the position of the stacker roller by opening the paper ejection section cover, and checking the movement of the stacker roller visually.

After setting, be sure to close the paper ejection section cover. If not closed, operating the test key or start key shows “DELIVERY COVER” on the LCD, and this unit will not operate.

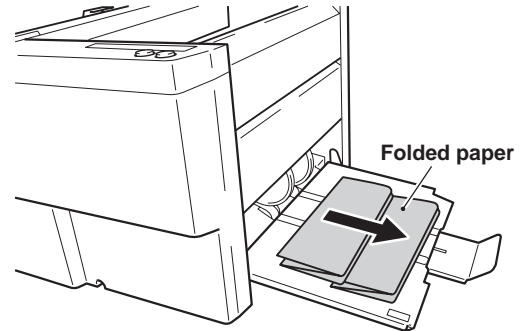
7 Press the test key to perform test folding.

- Test folded paper are not counted in the number of sheets processed.



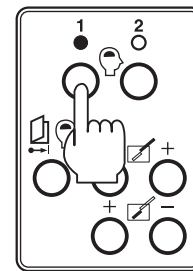
8 Check the finish of test folding.

- Check the finish using the second test folded sample.
- If the folding position needs to be adjusted, set the position of the folding stopper again using the folding stopper adjusting keys of folding plates 1 and 2.
- If paper is not ejected smoothly, change the position of the stacker roller.



9 After completing all settings, register the custom folding setting.

- Continue pressing the custom folding registration key 1 or 2 until the buzzer sounds "pi.pi..." (about two seconds).
- The registered data is preserved even after the power is turned off.

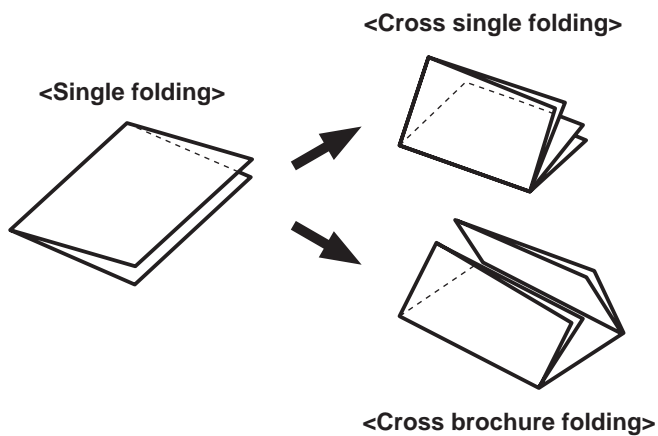


Other steps are the same as standard folding of standard paper.

See "9. STANDARD FOLDING OF STANDARD PAPER" (➔ p.22)

13. CROSS FOLDING

Cross folding is folding **single-folded paper** another time as shown in the figure. Many cross folding styles are available according to settings.



13-1. Cross Folding Methods

The following three cross folding methods are available on this unit.

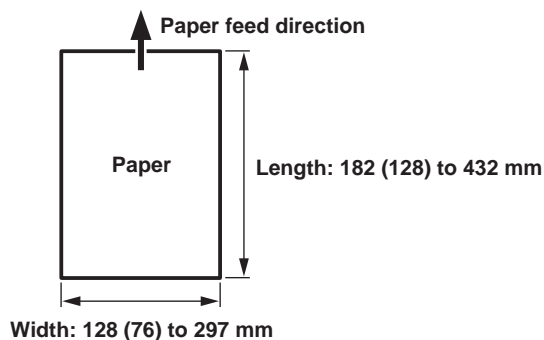
(1) Cross folding of standard paper

Standard paper consists of six types A3, B4, A4, B5, A5, and B6 (short edge feeding of paper) and is paper whose size can be automatically detected.

(2) Cross folding of non-standard paper

Non-standard paper is paper other than standard paper specified by this unit. It is paper within the following size range.

() shows the minimum foldable size under conditions given.



(3) Cross folding of paper at desired folding position

This is the cross folding of standard and non-standard paper at the desired folding position. Both standard and non-standard paper are processed in the same way, and the folding position is registered in the custom folding mode.

13-2. Precautions on Cross Folding

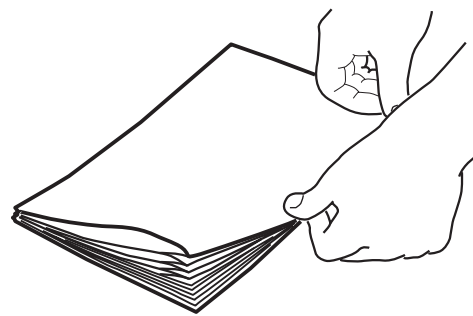
Pay attention to the following in cross folding.

- **The maximum thickness of paper used is 104.7 g/m².**

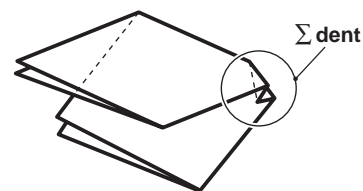
The maximum thickness depends on conditions such as using environment (temperature, humidity), paper size, paper type, paper grain direction, paper printing state, etc.

- **Press along the folded line of single-folded paper with the fingers.**

If the folded line is not folded properly, paper feed will be unstable.

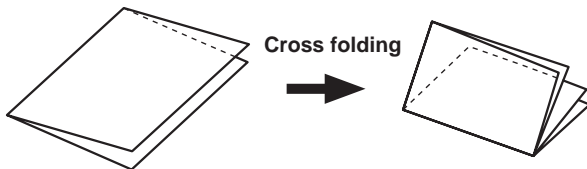


Note Paper Σ dent and folding misalignment along the sides of the paper may occur if the folded line of single-folded paper is not folded properly or according to the using environment (temperature, humidity), paper thickness, paper size, paper type, paper grain direction, etc. This is not a malfunction of the unit.



13-3. Cross Folding of Standard Paper

The following describes the cross folding of standard paper, taking cross single folding shown in the figure as an example.

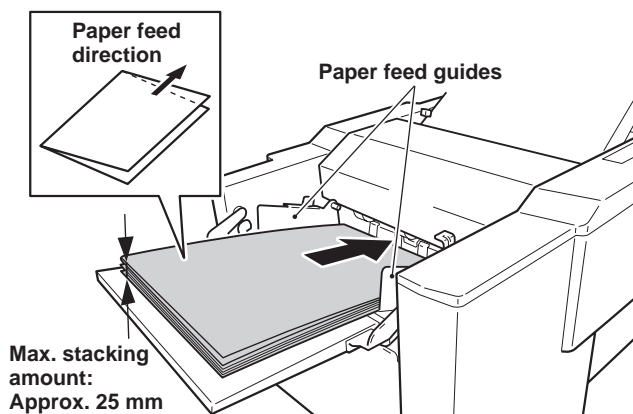


1 Single fold standard paper according to the procedure of “9. STANDARD FOLDING OF STANDARD PAPER” (☞ p.22).

2 To prevent folding misalignment along the sides of the paper and feed paper smoothly, fold the folded line of the single-folded paper firmly with the fingers.

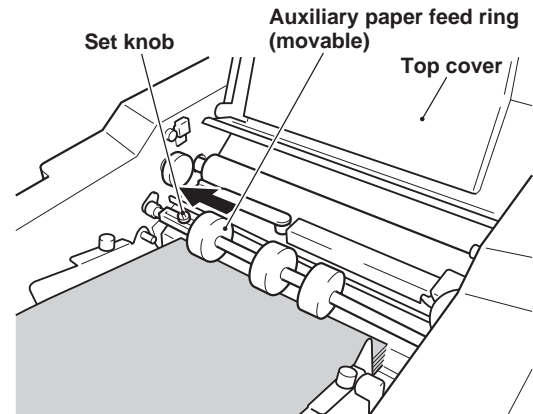
3 Stack the single-folded paper on the paper feed tray with the folded line facing the left, and set the paper feed guides.

- Do not stack too many sheets of paper on the paper feed tray, the amount of which should be about half the height of the paper feed guide (approx. 25 mm).
- Push in the paper until the lead edge touches the paper feed inlet lightly.



4 Open the top cover, move the auxiliary paper feed ring (movable) to the folded line of the paper, and secure it.

- Move the auxiliary paper feed ring by loosening the set knob. After moving, tighten the set knob to secure.



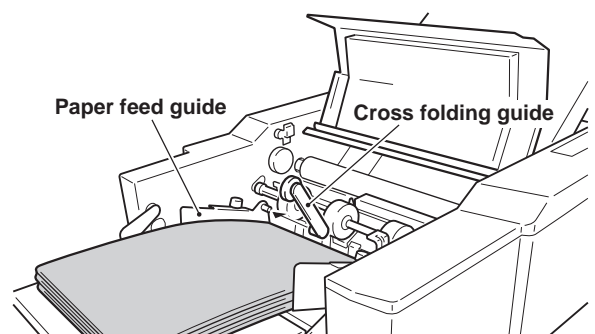
5 Set the separating pressure adjusting dial to “0”.

- Set the paper separating pressure as low as possible. Setting it high will cause the single-folded paper to open during paper feed, resulting in paper feed error. Paper separating pressure decreases as the scale value decreases.

6 Set the paper feed pressure adjusting lever to “3”.

- Set the paper feed pressure within the “3” to “5” range on the scale.
- If paper slips and mis-feed occurs, increase the paper feed pressure to “4” or “5”. Paper feed pressure increases as the scale value increases.

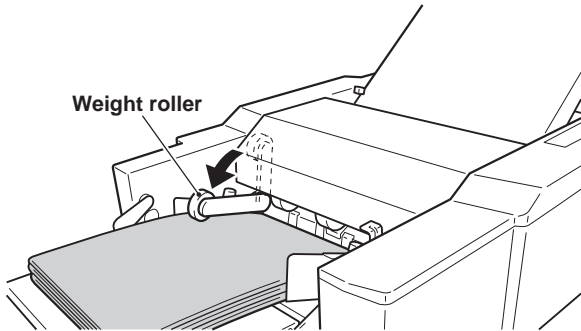
7 Attach the cross folding guide stored inside the top cover to the paper feed guide on the left side.



13. CROSS FOLDING

- 8 Close the top cover.
- 9 Place the weight roller of the cross folding guide on the folded line.

Note To replenish paper, lift the cross folding guide.



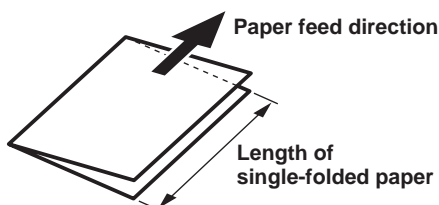
- 10 Set the folding mode to single folding, perform test folding, and check the finish.

Other steps are the same as standard folding of standard paper.

See "9. STANDARD FOLDING OF STANDARD PAPER" (p.22)

13-4. Cross Folding of Non-standard Paper

- 1 Single fold non-standard paper according to the procedure of "11. STANDARD FOLDING OF NON-STANDARD PAPER" (p.32).
- 2 Press the No. of sheets/Paper length key and switch to the mode for entering paper length.
- 3 Measure the length of the single-folded paper, and enter the length using the numerical keys.



- 4 Press the No. of sheets/Paper length key until the buzzer sounds "pi.pi..." (about two seconds), to register the paper length.

- 5 Perform steps 2 to 10 of "13-3. Cross Folding of Standard Paper" (p.39).

Other steps are the same as standard folding of standard paper.

See "9. STANDARD FOLDING OF STANDARD PAPER" (p.22)

13-5. Cross Folding Paper at the Desired Folding Position

- 1 After registering custom folding according to the procedure of "12. CUSTOM FOLDING" (p.35), single fold paper in the custom folding mode.

Note Set the folding plate 1 folding stopper position as desired when registering custom folding. Set the folding plate 2 folding stopper position to 0 mm as folding plate 2 is not used in single folding.

- 2 Register the single-folded paper for custom folding at the desired folding position according to the procedure of "12. CUSTOM FOLDING" (p.35) again.
- 3 Perform steps 2 to 10 of "13-3. Cross Folding of Standard Paper" (p.39).

Other steps are the same as standard folding of standard paper.

See "9. STANDARD FOLDING OF STANDARD PAPER" (p.22)

14. USING ART PAPER AND COATED PAPER

14-1. Characteristics of Art Paper and Coated Paper

Art paper and coated paper often stick to each other due to the printing ink and become difficult to separate, resulting in double-feed. When using these types of paper, follow the procedure below.

 **Note** Some recycled art paper and coated paper may be flimsy and inappropriate for folding.


14-2. Operation Procedure

1 Fan the paper well.

 **Note** Art paper and coated paper need to be fanned well compared to fine quality paper such as copy paper.

2 Stack paper on the paper feed tray after neatly aligning the paper, and set the paper feed guides.

- For precautions on paper, refer to “7. PRECAUTIONS PRIOR TO USE” (☞ p.18).


 **Note** Do not stack too many sheets of paper on the paper feed tray, the amount of which should be about half the height of the paper feed guide (approx. 25 mm). If too many sheets are stacked, the paper will stick to each other from its weight and become difficult to separate, resulting in double-feed.

3 Set the paper feed pressure adjusting lever to “3”.

- Set the paper feed pressure within the “3” to “5” range on the scale.
- If paper slips and mis-feed occurs, increase the paper feed pressure to “4” or “5”.
Paper feed pressure increases as the scale value increases.

4 Open the top cover, and set the separating pressure adjusting dial to “2.5”. After setting, close the top cover.


- If double-feed occurs, increase the paper separating pressure by 0.5 at a time.
Paper separating pressure increases as the scale value increases.

 **Note** Do not use fine quality paper such as copy paper with the paper feed pressure and paper separating pressure settings for art paper and coated paper. Due to the high paper feed pressure, double-feed occurs more easily. In addition, due to the high paper separating pressure, the paper may be damaged at the lead edge. When using fine quality paper, always return to paper feed pressure and paper separating pressure settings to levels suitable for fine quality paper.

5 Press the test key to perform test folding, and check the finish.

- If deformed folding occurs, the paper may not have reached the folding plate folding stopper. One solution is to lower the processing speed.

Other steps are the same as standard folding of standard paper.

 **See** “9. STANDARD FOLDING OF STANDARD PAPER” (☞ p.22)

15. USING SPECIAL PAPER

15-1. Double Folding Thick Paper

When double folding fine quality paper larger than B4 size and thicker than 104.7 g/m², the stiffness of the paper makes it difficult for it to enter between the two folding rollers. For such paper, set the thick paper mode.

Note This mode is intended only for thick paper. Do not use it for folding other types of paper. Use of this mode results in unstable paper feed, and quickens wear of parts such as the paper feed ring.

◆ Thick paper mode

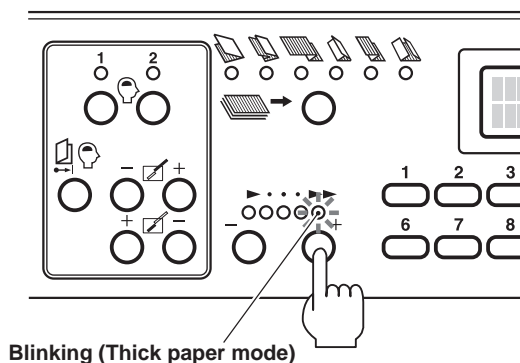
In this mode, the folding rollers rotate quickly to help paper enter between the folding rollers.

Setting the thick paper mode

Press the "+" speed key and set the maximum processing speed, and press it again for another two seconds. The maximum speed lamp blinks, indicating that the thick paper mode has been set.

Clearing the thick paper mode

Press the "-" speed key. The maximum speed lamp stops blinking and lights up, indicating that the thick paper mode has been cleared. This setting will also be cleared when the power is turned off.



Blinking (Thick paper mode)

Note This function may not be that effective, depending on the paper thickness and stiffness.

15-2. Using Recycled Paper

Some recycled paper may be thin, flimsy and easy to curl when copied, and therefore inappropriate for folding. When folding such paper, pay attention to the following points.

- **Fan paper well prior to stacking on the paper feed tray.**
- **Set the processing speed as low as possible.**
If set to high, wrinkles or deformed folding will result.
- **Set the paper feed pressure as low as possible.**
If set to high, double-feed will result.
- **Set the paper separating pressure as low as possible.**
If set to high, the center of the lead edge of the paper may be scratched or turned over.

15-3. Folding B7, A6 Size Paper

B7, A6 size paper (fed by short edge feeding) can be folded in the following conditions.

- B7 paper can only be single folded or brochure folded.
A6 paper can be single folded, letter folded, accordion folded, and brochure folded, but not double folded and irregular accordion folded.

Note When the folding mode key is pressed, the lamps of unselectable folding modes will be skipped without lighting.

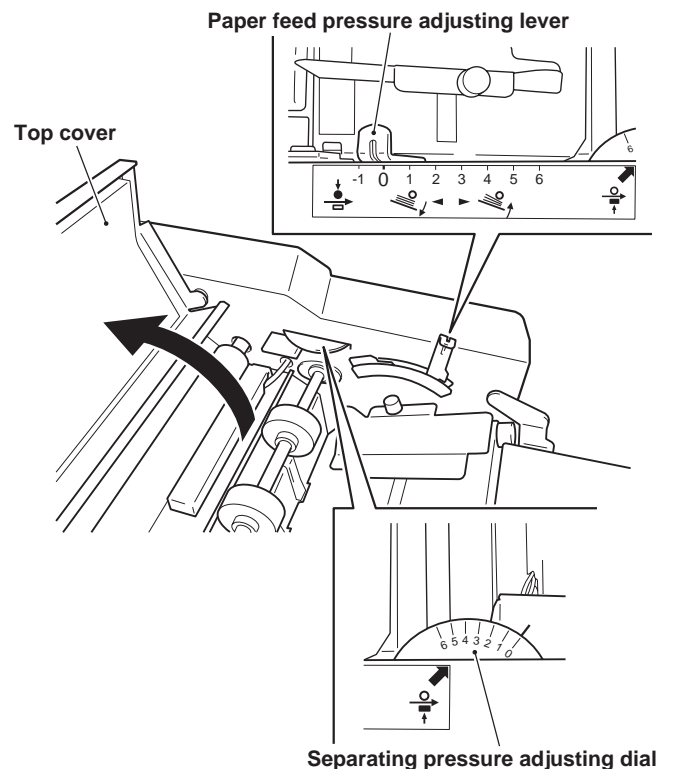
- B7 and A6 paper are non-standard paper. As the automatic paper size detection function does not work for these types of paper, there is a need to register the paper length.

See “11. STANDARD FOLDING OF NON-STANDARD PAPER” (☞ p.32)

- The thickness of paper which can be used ranges from 64 to 81.4 g/m².
- Stack paper on the paper feed tray after fanning it well. However, stack less than usual, within a stacking height of 35 mm.
- Do not set the maximum processing speed. Set as low as possible.

Note Continuous-feed occurs easily when high processing speeds are set. This is because the paper is small and light, and is not a malfunction.


- Set the paper feed pressure to “0” or “-1”.
- Set the paper separating pressure to “0”, and increase the value by 0.5 at a time according to the paper feed conditions.



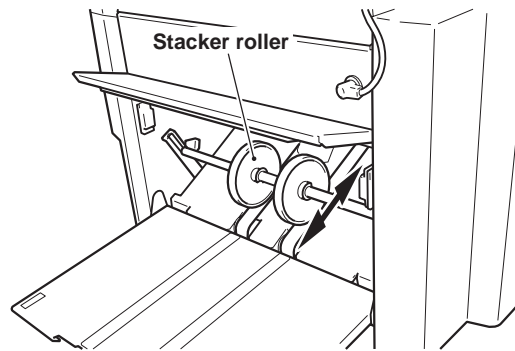
16. STACKER ROLLER

16-1. Changing the Stacker Roller Position

- If paper ejection conditions are poor, there is a need to change the position of the stacker roller. Pressing a numerical key between 1 and 6 while pressing the stop key moves the stacker roller.

 **Step 6** in “12-2. Operation Procedure” (p.36)

- Refer to the following table for the position for setting the stacker roller according to the folded paper length.




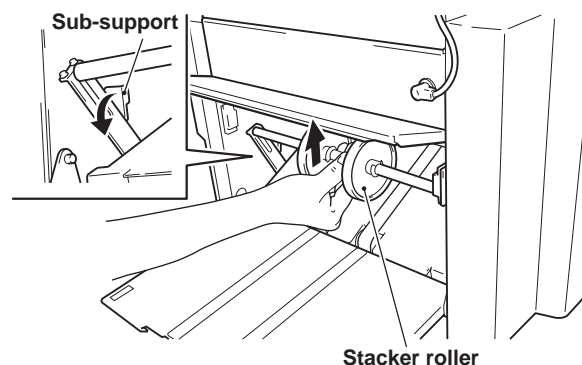
Approximate stacker roller set position

Numerical key setting	Folded paper length (mm)	Applicable standard paper size and folding mode
1	To 85	A4 Double fold B4 Double fold A5 Double fold, letter fold, accordion fold B6 Double fold, letter fold, accordion fold
2	86 to 105	A3 Double fold B4 Double fold A4 Letter fold, accordion fold B5 Letter fold, accordion fold, brochure fold A5 Single fold, irregular accordion fold, brochure fold B6 Single fold, irregular accordion fold, brochure fold
3	106 to 120	A4 Brochure fold
4	121 to 135	B4 Letter fold, accordion fold, brochure fold B5 Single fold, irregular accordion fold
5	136 to 150	A3 Letter fold, accordion fold, brochure fold A4 Single fold, irregular accordion fold
6	From 151	A3 Single fold, irregular accordion fold B4 Single fold, irregular accordion fold

16-2. Changing the Stacker Roller Height

- Some thick and stiff paper may not be ejected smoothly because they may open up after folding. If this happens, change the height of the stacker roller and widen the space for the paper to pass in ejection.
- Lift the stacker roller and hold it with sub-support.

 **Note** After completing folding operations, be sure to return the stacker roller to the standard position. Leaving it in the raised state will result in poor alignment of ejected paper.



17. ADDITIONAL FUNCTIONS

17-1. Interval Function

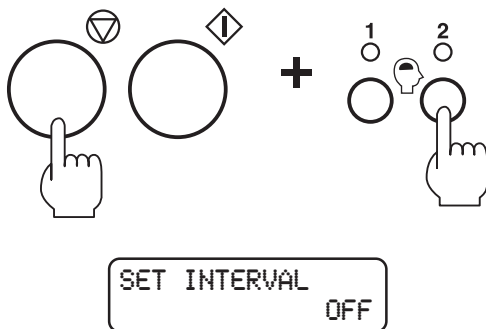
The interval function suspends paper folding operations for a certain period of time after every specified number of sheets, and sorts the folded paper. This allows the ejected paper to be removed, and preparations made for distributing folded paper, placing paper in envelopes during the suspended time.

For example, if there is a need to bind the folded paper in sets of 50 sheets, the unit can be set to suspend folding operations for the certain period of time for every 50 sheets.

The following describes the setting procedure for this example.

1 While pressing the stop key, press the custom folding registration key 2.

- The top of the LCD shows "SET INTERVAL".



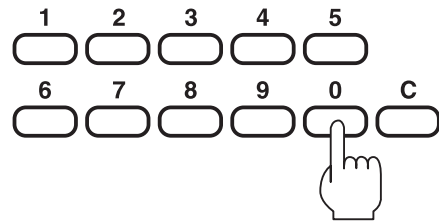
2 Set the suspension time of paper folding operations.

- Press the "+" or "-" speed key, and select from "OFF", "3 seconds", "5 seconds", and "10 seconds".
- At shipment, this is set to "OFF". Select "OFF" when not using this function.
- The bottom of the LCD shows the selected setting.



3 Enter the number of sheets to sort (bind) using the numerical keys.

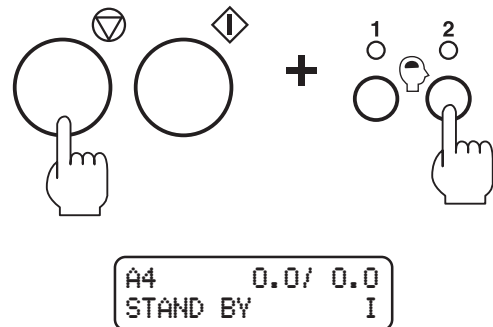
- The number of sheets can be entered within the range of 1 to 999.



SET INTERVAL
5 SEC/ 50 SHEETS

4 Register the settings made.

- While pressing the stop key, press the custom folding registration key 2.
- After completing registration, "I" is displayed at the bottom right of the LCD.



Clearing the interval function

- Select "OFF" in step 2 of the above setting procedure, and register again using the method in step 4.
- When cleared, the "I" displayed on the LCD disappears.

A4 0.0/ 0.0
STAND BY

Relation between interval function and add-count and subtract-count counter

Use of the counter is the same as normal for both add-count and subtract-count.

17-2. Folding Stopper Operation Mode Setting Function

This function is used for setting the movements of the folding stoppers of folding plates 1 and 2 when the power is turned on. There are two modes; “Refold mode” and “Folding stopper fixed mode”.

◆ Refold mode

This function starts this unit at the last settings used when the power is turned on. When set to this mode, the unit will automatically be set to the following settings when the power is turned on.

Note If the folding stopper position has been corrected, be sure to register the corrected data to save it. Otherwise, the corrected data will be erased when the power is turned off.

Setting	Before refold mode setting	After refold mode setting
Paper size	<ul style="list-style-type: none"> ● Standard paper is automatically detected. ● For non-standard paper, nothing is displayed on LCD. (Paper length needs to be registered.) 	<ul style="list-style-type: none"> ● Standard paper is automatically detected. ● When non-standard paper length is registered, registered data is displayed on LCD.
Folding mode	Set to single fold as in shipment. (Single-folding mode lamp lights up.)	Set to same folding mode as when power is turned off. (The folding mode display lamp lights up.)
Stacker roller position	Automatically set.	Set to same stacker roller position as when power is turned off.
Processing speed	Set to same processing speed as when power is turned off.	Set to same processing speed as when power is turned off.
Folding stopper position	Moves to home position and stops. (Resetting of position, registration required.)	After moving to home position, moves to position set when power is turned off.

◆ Folding stopper fixed mode

This function allows control panel settings to be skipped when folding paper under the same conditions all the time (paper size, folding mode, stacker roller position, processing speed, folding stopper position). When set to this mode, the unit will always be automatically set to the same conditions when the power is turned on, allowing paper folding to be started without the need for control panel settings.

Note

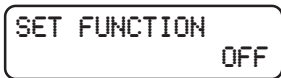
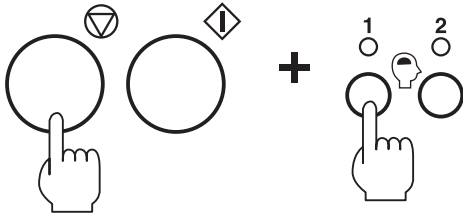
- When set to this mode, normal operations will not be possible. However, the folding stopper position and interval function can be changed.
- If the folding stopper position has been corrected, be sure to register the corrected data to save it. Otherwise, the corrected data will be erased when the power is turned off.
- When set to this mode, the standard folding lamp and custom folding registration lamp will not light up.

◆ Setting the refold mode/folding stopper fixed mode

The refold mode and folding stopper fixed mode can be set using the same method.

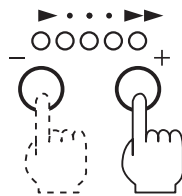
1 While pressing the stop key, press the custom folding registration key 1.

- The top of the LCD shows "SET FUNCTION".



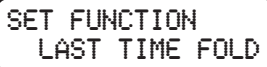
2 Select the mode.

- Press the "+" or "-" speed key, and select from "OFF", "LAST TIME FOLD", and "STOPPER FIXED".
- At shipment, this is set to "OFF".
Select "OFF" when not using this function.



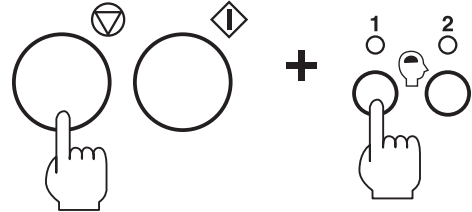
<When refold mode>

<When folding stopper fixed mode>



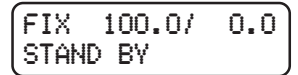
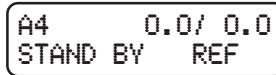
3 Register the mode selected.

- While pressing the stop key, press the custom folding registration key 1.
- When the refold mode is registered, the bottom right of the LCD shows "REF".
- When the folding stopper fixed mode is registered, the top left of the LCD shows "FIX".



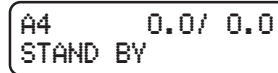
<When refold mode>

<When folding stopper fixed mode>



Clearing the refold mode/folding stopper fixed mode

- Select "OFF" in step 2 of the above setting procedure, and register again using the method in step 3.
- When cleared, the "REF" or "FIX" displayed on the LCD disappears.




Note When the folding stopper fixed mode is cleared, the folding stoppers start moving to the home position, and the LCD displays "WAIT". Operations are disabled until the message changes to "STAND BY".

18. WHEN PAPER JAMMING OCCURS

Note If the top cover, side cover, or paper ejection section cover has been opened to remove jammed paper as described below, be sure to close it after removing. This unit will not operate if covers are open and the LCD will show an error message such as “TOP COVER OPEN”.

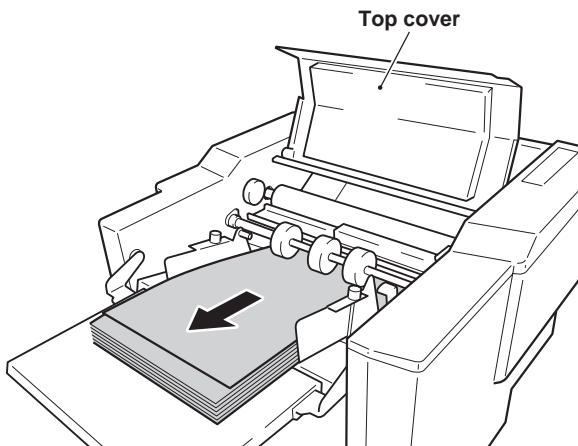
18-1. When Paper Jams at Paper Feed Section

The LCD shows “FEED ERROR”.



FEED ERROR

- Open the top cover, and pull out paper jammed near the paper feed ring. After removal, close the top cover.
- If the paper jams again, increase the paper feed pressure using the paper feed pressure adjusting lever.



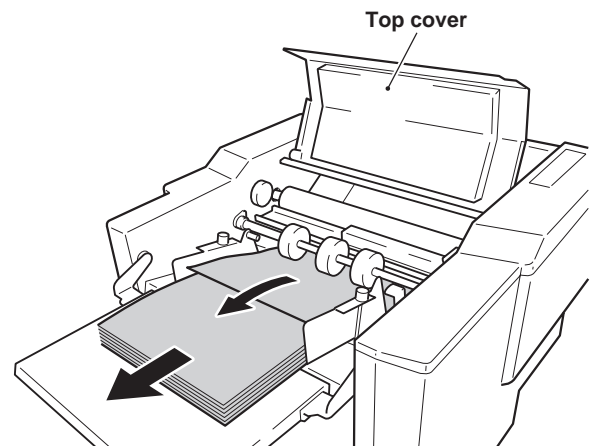
18-2. When Paper Jams Near Paper Feed Ring

The LCD shows “JAM FEED SECT”.



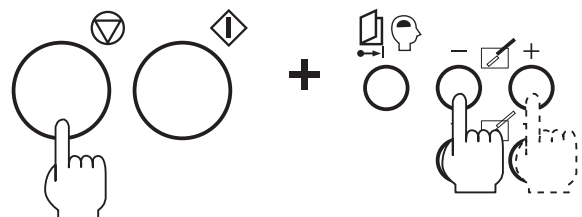
JAM FEED SECT

- Open the top cover, and pull out paper jammed near the paper feed ring. After removal, close the top cover.
- If the paper cannot be pulled out easily, lower the paper feed tray by removing all the paper on the paper feed tray, or by using the following keys, and then pull out the paper.



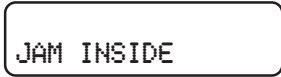
Raising/lowering the paper feed tray using the control panel

To lower the paper feed tray, press the “-” key of the folding plate 1 folding stopper adjusting key while pressing the stop key. To raise, press the “+” key.



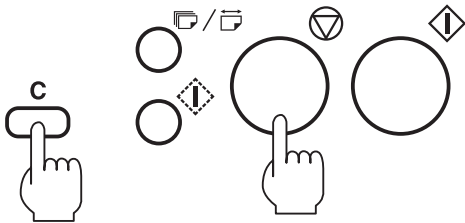
18-3. When Paper Jams Inside Folding Plate

The LCD shows "JAM INSIDE".



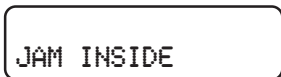
While pressing the stop key, press the clear key. The LCD shows "WAIT".

The folding stoppers of folding plates 1 and 2 move to the home position, pushing out the paper inside the folding plates to the paper receiving tray.



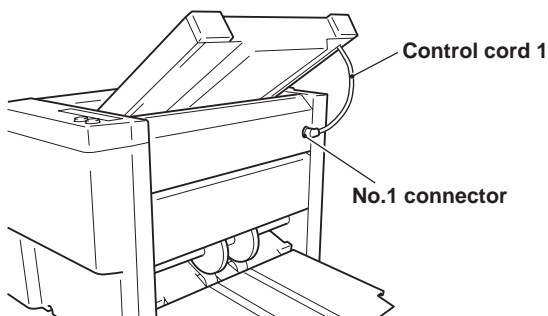
18-4. When Paper Winds Around Folding Roller

The LCD shows "JAM INSIDE".



1 Turn off the power.

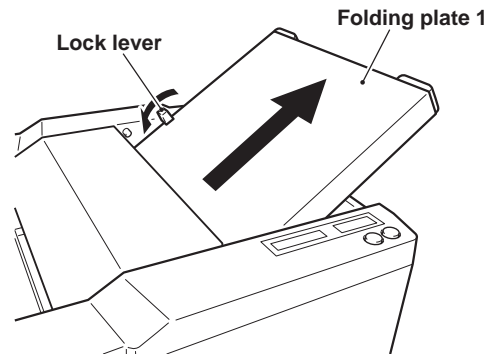
2 Disconnect control cord 1 of folding plate 1 from the No.1 connector.



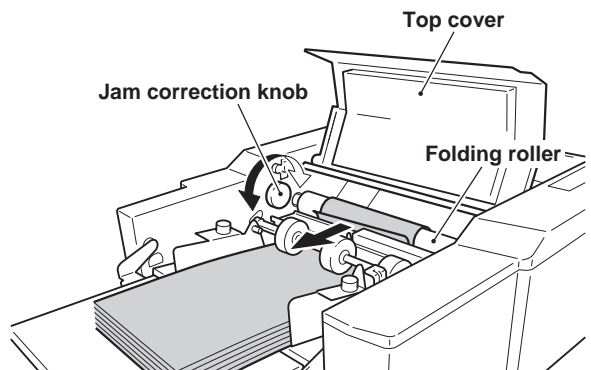
3 Release the lock lever, and remove folding plate 1.

Note

- Be sure to hold folding plate 1 with both hands.
- Do not subject folding plate 1 to shock, otherwise it may damage, folding accuracy will drop.

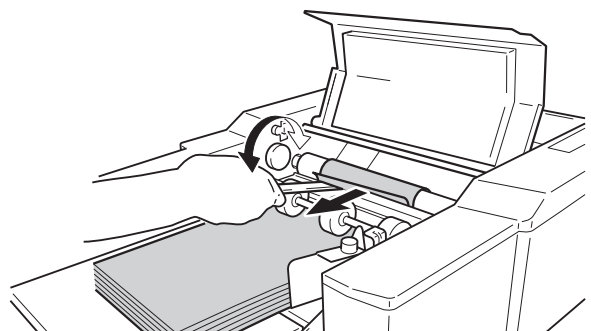


4 Open the top cover, and while rotating the jam correction knob, remove the paper around the folding rollers.



- If paper does not come out easily, insert a scale, etc. into the lead edge of the paper which had wound around the folding rollers from between the folding rollers, and remove the paper while rotating the jam correction knob.

Note Be careful not to damage the folding rollers with the scale.



18. WHEN PAPER JAMMING OCCURS

5 After completing the above, set folding plate 1 back to the original position.

6 Push the lock lever towards “LOCK”, and insert control cord 1 into the No.1 connector.

7 Rotate the jam correction knob to check that folding plate 1 is secured. If the knob rotates smoothly, it means that folding plate 1 is secured.

- If not secured properly, the LCD will show “F.PLAT-1 SET ERR” when the power is turned on.

8 Close the top cover.

18-5. When Paper Jams Near Folding Plate 1

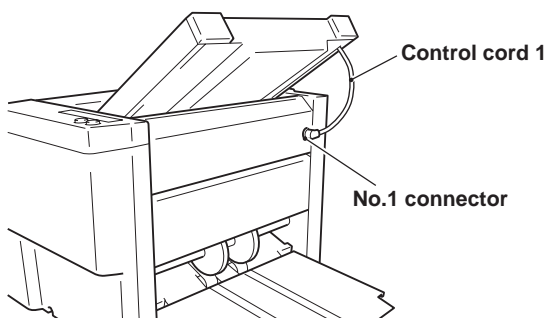
The LCD shows “JAM INSIDE”.



JAM INSIDE

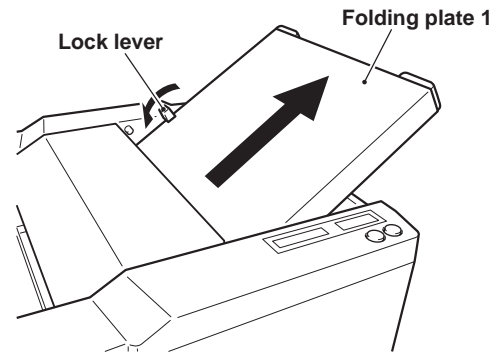
1 Turn off the power.

2 Disconnect control cord 1 of folding plate 1 from the No.1 connector.

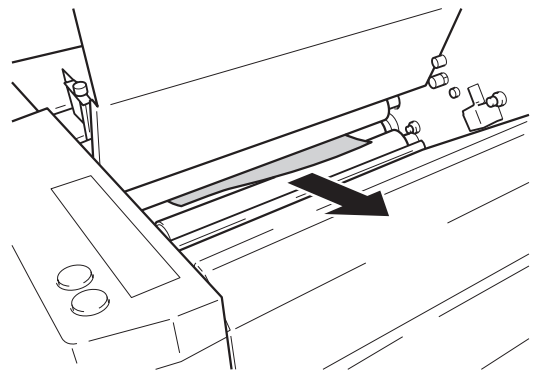


3 Release the lock lever, and remove folding plate 1.

- Note**
- Be sure to hold folding plate 1 with both hands.
 - Do not subject folding plate 1 to shock, otherwise it may damage, folding accuracy will drop.



4 Open the top cover, and while rotating the jam correction knob, pull out the jammed paper.



5 After completing the above, set folding plate 1 back to the original position.

6 Push the lock lever towards “LOCK”, and insert control cord 1 into the No.1 connector.

7 Rotate the jam correction knob to check that folding plate 1 is secured. If the knob rotates smoothly, it means that folding plate 1 is secured.

- If not secured properly, the LCD will show “F.PLAT-1 SET ERR” when the power is turned on.

8 Close the top cover.

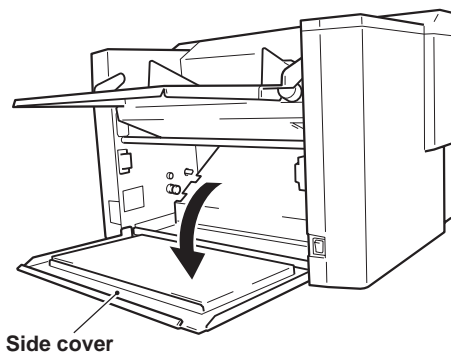
18-6. When Paper Jams Near Folding Plate 2

The LCD shows "JAM INSIDE".

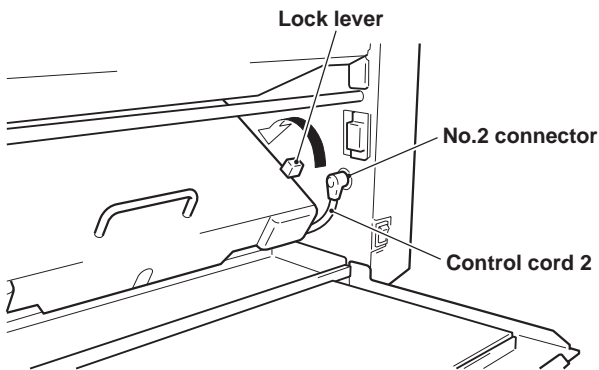
JAM INSIDE

1 Turn off the power.

2 Open the side cover.

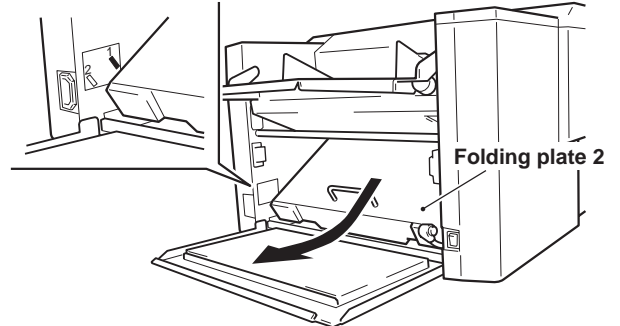


3 Disconnect control cord 2 of folding plate 2 from the No.2 connector, and release the lock lever.



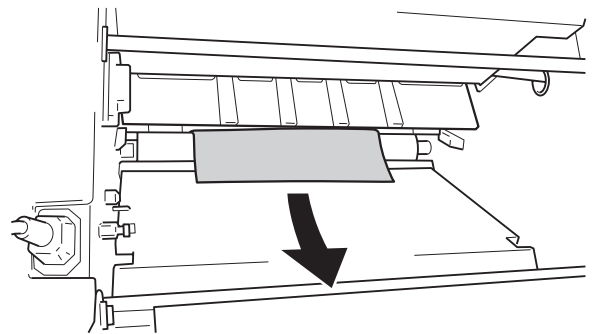
4 Remove folding plate 2.

- ① While slightly lifting the handle, slide folding plate 2 downwards to the "2 (□)" mark.
- ② While slightly lifting the handle, further slide folding plate 2 downwards and remove.



- Note**
- To ensure safety, be sure to follow the above procedure. Performing this work incorrectly may result in folding plate 2 dropping, injuries, or damage of folding plate 2.
 - Be sure to hold folding plate 2 holding the handle with both hands.
 - Do not subject folding plate 2 to shock, otherwise it may damage, folding accuracy will drop.

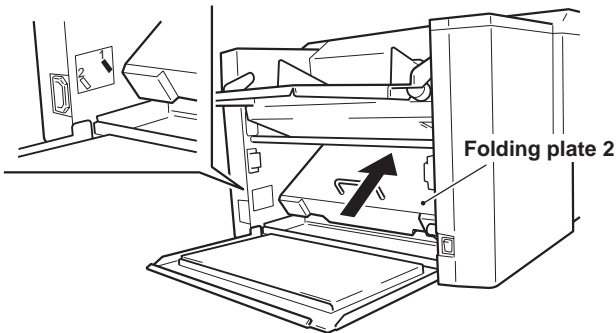
5 Open the top cover, and while rotating the jam correction knob, pull out the jammed paper.



18. WHEN PAPER JAMMING OCCURS

6 After completing the above, set folding plate 2 back to the original position.

- Set folding plate 2 in the reverse order of step 4. Secure at the “1 (■)” mark.



7 Push the lock lever towards “LOCK”, and insert control cord 2 into the No.2 connector.

8 Rotate the jam correction knob to check that folding plate 2 is secured. If the knob rotates smoothly, it means that folding plate 2 is secured.

- If not secured properly, the LCD will show “F.PLAT-2 SET ERR” when the power is turned on.

9 Close the top cover and side cover.

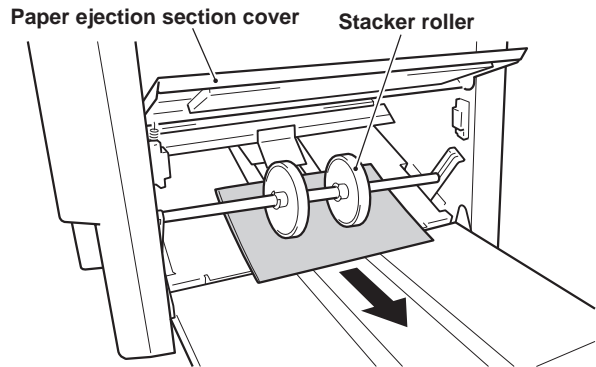
18-7. When Paper Jams at Paper Ejection Section

The LCD shows “JAM EXIT”.

JAM EXIT

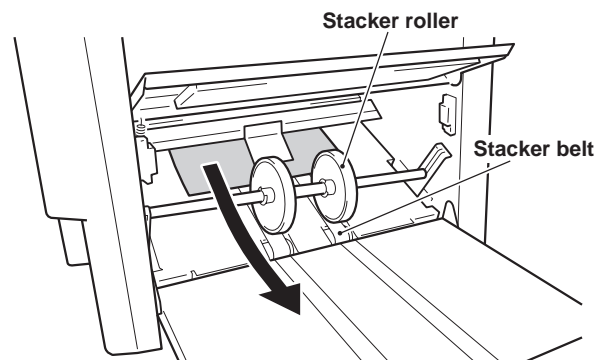
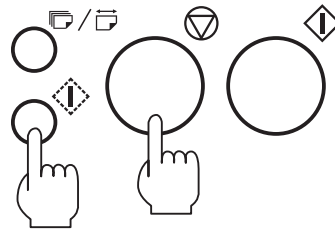
1 Open the paper ejection section cover, and check that paper is jammed at the paper ejection section.

2 If the paper has come to the front of the stacker roller, pull out the paper.



3 If the paper has jammed deep inside the stacker roller, run the folding roller and stacker belt to eject the jammed paper.

- While pressing the stop key, press the test key. The folding roller and stacker belt start running.



4 Close the paper ejection section cover, and check the paper ejection state in test folding.

- If the paper is not ejected smoothly, adjust the position or height of the stacker roller.

See “16. STACKER ROLLER” (p.44)

19. ERROR MESSAGES

When paper jamming, errors, malfunctions occur, details are displayed on the second line of the LCD. The following describes the error messages and solutions.

If the unit still does not operate normally even after implementing the following solutions, contact your nearest dealer.

Note Be sure to disconnect the power cord from the outlet before implementing a solution.

2nd line display	Details of display	Solution
------------------	--------------------	----------



<i>Paper jamming</i>		
JAM FEED SECT	Paper jamming at paper feed section	Remove the jammed paper.
JAM INSIDE	Paper jamming inside this unit	Remove the jammed paper.
JAM EXIT	Paper jamming at paper ejection section	Remove the jammed paper.

<i>Errors</i>		
TOP COVER OPEN	The top cover is open.	Close the cover.
SIDE COVER OPEN	The side cover is open.	Close the cover.
DELIVERY COVER	The paper ejection section cover is open.	Close the cover.
F.PLAT-1 SET ERR	Folding plate 1 is not set correctly.	Set back correctly.
F.PLAT-2 SET ERR	Folding plate 2 is not set correctly.	Set back correctly.
FEED ERROR	Paper is not fed normally due to mis-feeding (slips), etc.	Adjust the paper feed pressure and paper separating pressure.
PAPER SIZE ERROR	The stacking direction of the paper on the paper feed tray is incorrect (example: stacking A4 in long edge feeding direction detects A3).	Stack paper in the correct direction.
NO PAPER	No paper on the paper feed tray	Stack paper on the paper feed tray.

<i>Malfunctions</i>		
MOTOR ERROR 1	Abnormal load on the motor due to paper jamming, etc.	Remove the jammed paper.
MOTOR ERROR 4	Control cord 1 of folding plate 1 is not connected properly.	Check the connection of control cord 1.
MOTOR ERROR 5	Control cord 2 of folding plate 2 is not connected properly.	Check the connection of control cord 2.
MOTOR ERROR 3	Abnormal load on the motor of the stacker roller due to paper jamming, etc.	Remove the jammed paper.
MOTOR ERROR 2	Abnormal load on the motor for automatic rise/descent of paper feed tray when the paper gets caught, etc.	Remove the jammed paper.

20. TROUBLESHOOTING

Before calling your dealer, check the following.

Problem	Check	Correct
The unit does not start even when the start key is pressed.	<ul style="list-style-type: none"> ● Is there paper stacked on the paper feed tray? ● Is paper placed properly over the paper switch of the paper feed tray? ● Has paper jammed? ● Is a cover open? (top cover, side cover, paper ejection section cover) ● Is non-standard paper used in standard paper settings? ● Is the paper size displayed on the LCD? ● Is there a gap between the paper feed guide and paper? ● Is the control cord of folding plate 1 or 2 disconnected? 	<ul style="list-style-type: none"> ● Stack paper. ● Place paper over the paper switch so that it is properly pressed. ● Remove jammed paper. ● Close open covers. ● Change to non-standard paper operations.  “11. STANDARD FOLDING OF NON-STANDARD PAPER” (p.32) ● Adjust the paper feed guides accurately to the paper size on the paper feed tray scale. ● Adjust the paper feed guides to the paper firmly, ensuring no gaps. ● Turn off the power, and insert that control cord into the connector.
The main motor does not rotate.	<ul style="list-style-type: none"> ● Is the power cord inserted into the outlet? ● Is a cover open? ● Has paper jammed? <p>Note  If the motor is subject to abnormal load due to paper jamming, etc., power to the motor will be cut off. Investigate the cause of the paper jam carefully. After correcting the cause, turn on the power again and resume operations.</p>	<ul style="list-style-type: none"> ● Insert the power cord into the outlet. ● Close open covers. ● Remove jammed paper.
The folding stopper of folding plate 1 or 2 does not operate.	<ul style="list-style-type: none"> ● Is the control cord of folding plate 1 or 2 disconnected? 	<ul style="list-style-type: none"> ● Turn off the power, and insert that control cord into the connector.
Paper is not folded at the normal folding position.	<ul style="list-style-type: none"> ● Are folding plates 1, 2 set properly? ● Has static electricity occurred in the paper? 	<ul style="list-style-type: none"> ● Set folding plates 1, 2 again. ● Lower the processing speed. ● Fan the paper well. ● Humidify with a humidifier as required.
Paper jam occurs.	<ul style="list-style-type: none"> ● Has the paper been fanned well? ● Is the paper curled? ● Is the paper conveyance route jammed with paper chips, etc.? ● Is the folding roller dirty? ● Is the position of the stacker roller of the paper ejection section incorrect? ● Has static electricity occurred in the paper? 	<ul style="list-style-type: none"> ● Fan the paper well. ● Correct the paper curl before use. ● Inspect the inside of the unit, and remove paper chips. ● Clean with a cloth moistened with alcohol. ● Set the stacker roller position correctly again. ● Use a commercially available static electricity removal spray. ● Humidify with a humidifier as required.
Paper is double-fed.	<ul style="list-style-type: none"> ● Is the paper feed pressure value set too high? ● Is the paper separating pressure value set too low? ● Is the paper separator dirty? ● Is the paper sticking to each other and difficult to separate? ● Is paper outside the specifications used? 	<ul style="list-style-type: none"> ● Decrease the paper feed pressure. ● Increase the paper separating pressure. ● Clean with a cloth moistened with alcohol. ● Check that the printing ink of the paper has dried and there is no static electricity, and then fan the paper well. ● Do not use paper outside the specifications.

Problem	Check	Correct
Paper slips at the paper feed section.	<ul style="list-style-type: none"> ● Is the paper feed pressure value set too low? ● Is the paper separating pressure value set too high? ● Is the paper feed ring dirty? ● Is the paper sticking to each other and difficult to separate? ● Is paper outside the specifications used? 	<ul style="list-style-type: none"> ● Increase the paper feed pressure. ● Decrease the paper separating pressure. ● Clean with a cloth moistened with alcohol. ● Check that the printing ink of the paper has dried and there is no static electricity, and then fan the paper well. ● Do not use paper outside the specifications.
Folding misalignment along the vertical length of the paper occurs.	<ul style="list-style-type: none"> ● Was the processing speed changed from halfway? ● Was the paper type (paper quality, thickness) changed from halfway? 	<ul style="list-style-type: none"> ● Return to the speed before change. ● When changing the speed, the folding stopper positions of folding plates 1 and 2 must be adjusted. ● Use paper before change. ● When changing paper, the folding stopper positions of folding plates 1 and 2 must be adjusted.
Folding misalignment along the sides of the paper occurs.	<ul style="list-style-type: none"> ● Is more paper than the standard amount stacked on the paper feed tray? ● Are the paper feed guides set properly? ● Are the fixing screws of the paper feed guides loose? ● Is paper cut properly? 	<ul style="list-style-type: none"> ● Reduce the paper amount. ● Set the paper feed guides correctly again. ● Tighten the fixing screws properly. ● Correct the folding misalignment along the sides of the paper using the skew correction knob.
Continuous-feeding occurs with small paper.	<ul style="list-style-type: none"> ● Is small paper outside the specifications used? ● Is the paper feed pressure value set too high? ● Is there a gap between the paper feed guide and paper? ● Is paper aligned? ● Is thin, flimsy paper used? 	<ul style="list-style-type: none"> ● Do not use paper outside the specifications. ● Decrease the paper feed pressure. ● Adjust the paper feed guides to the paper firmly, ensuring no gaps. ● Align the paper well before stacking on the paper feed tray. ● Lower the processing speed.
Single-folded thick paper jams at the folding rollers.	<ul style="list-style-type: none"> ● Is paper outside the specifications used? ● Is the paper feed pressure value set too high? ● Has the paper been fanned well? 	<ul style="list-style-type: none"> ● Do not use paper outside the specifications. ● Decrease the paper feed pressure. ● Fan the paper well.
When large paper is stacked on the paper feed tray, the tray does not rise even when the start (test) key is pressed.	<ul style="list-style-type: none"> ● Is more paper than the standard amount stacked on the paper feed tray? ● Is the paper heavy? ● Is the paper stacked on the paper feed tray properly? 	<ul style="list-style-type: none"> ● Reduce the paper amount. ● Increase the paper feed pressure. ● Adjust the paper feed guides accurately to the paper size on the paper feed tray scale.

21. CLEANING THE UNIT

The adherence of paper dust, printing ink, etc. on the folding rollers, paper feed rings causes problems such as paper feed errors, folding misalignment, etc. Clean as follows.

- Note**
- Prior to cleaning, be sure to disconnect the power cord from the outlet.
 - After cleaning, make sure that the areas that were cleaned are completely dry before resuming paper folding operations.
 - After cleaning, be sure to close the top cover properly. If not closed properly, the unit will not operate.

⚠ WARNING

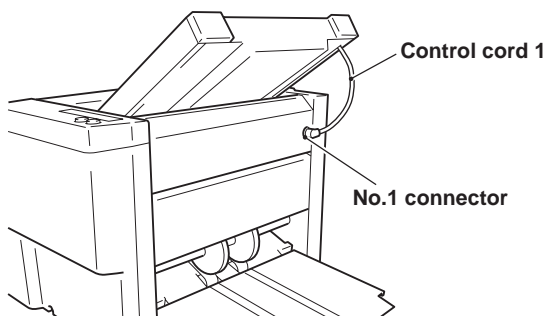


Do not use flammable sprays or solvent inside or near the unit (e.g. when cleaning the unit). Such flammable gas may ignite and cause a fire or combustion. Take precautions against fire and ensure ventilation when using alcohol, and store the alcohol in a safe place after use. Also note that use of other solvents can damage the rubber rollers and resin inside the unit, resulting in malfunctions.

21-1. Cleaning the Folding Rollers

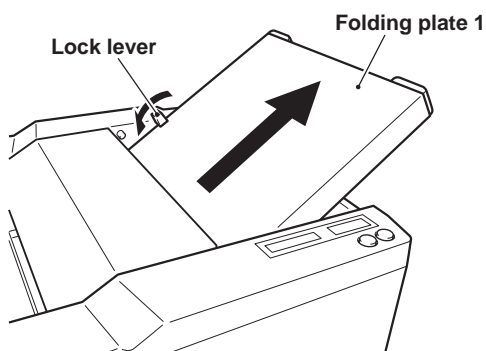
Remove folding plate 1 to clean the folding rollers.

- 1** Disconnect control cord 1 of folding plate 1 from the No.1 connector.



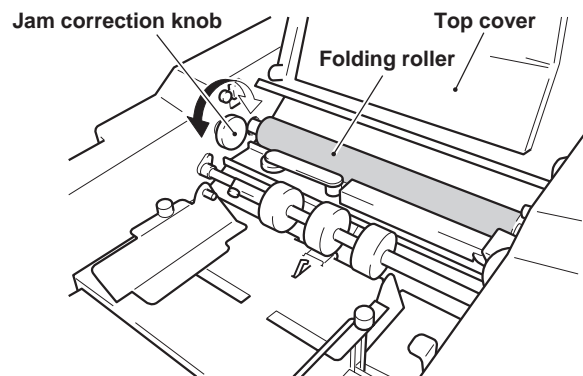
- 2** Release the lock lever, and remove folding plate 1.

- Note**
- Be sure to hold folding plate 1 with both hands.
 - Do not subject folding plate 1 to shock, otherwise it may damage, folding accuracy will drop.



- 3** Open the top cover.

- 4** While rotating the folding rollers with the jam correction knob, clean them with a cloth moistened with alcohol.



- 5** Set folding plate 1 back to the original position.

- 6** Push the lock lever towards "LOCK", and insert control cord 1 into the No.1 connector.

- 7** Rotate the jam correction knob to check that folding plate 1 is secured. If the knob rotates smoothly, it means that folding plate 1 is secured.

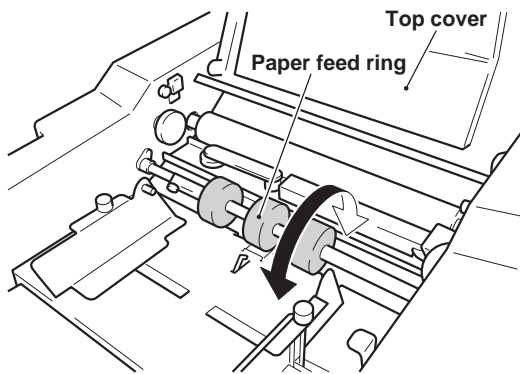
- If not secured properly, the LCD will show "F.PLAT-1 SET ERR" when the power is turned on.

- 8** Close the top cover.

21-2. Cleaning the Paper Feed Rings

- 1 Open the top cover.
- 2 While rotating the paper feed rings by hand, clean them with a cloth moistened with alcohol.

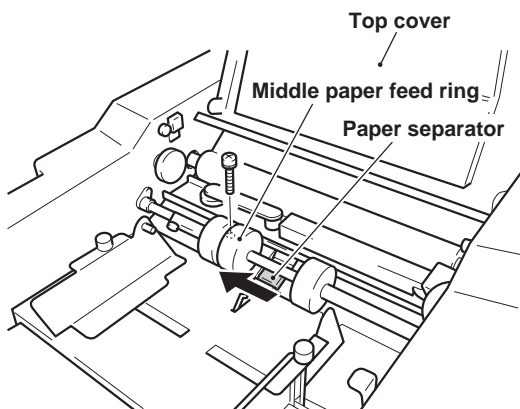
Note Immediately after cleaning, the dirt on the paper feed ring may stick to the paper. Therefore perform test folding until all dirt has been removed.



- 3 Close the top cover.

21-3. Cleaning the Paper Separator

- 1 Open the top cover.
- 2 Loosen the fixing screw of the middle paper feed ring, and move it aside.
- 3 Clean the paper separator with a cloth moistened with alcohol.



- 4 Move the paper feed ring to its original position, and tighten the screw.
- 5 Close the top cover.

21-4. Cleaning the Paper Feed Inlet Sensor

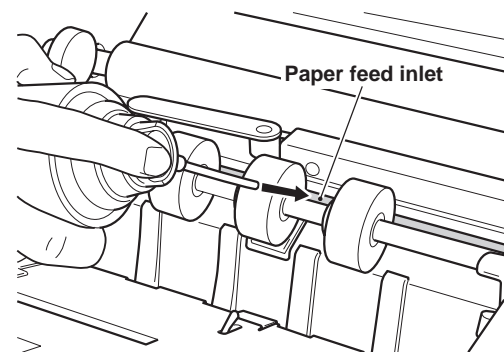
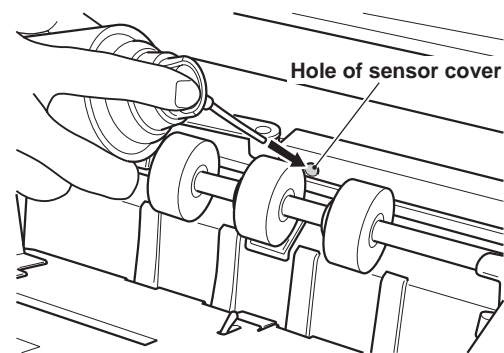
The paper feed inlet of this unit has a sensor for checking the paper feed state. This sensor may fail with the error message "JAM FEED SECT" when printing powder and paper dust accumulate on it.

When this message appears, clean the sensor with an Air Duster (a commercially available air spray for eliminating dust for office equipment).

- 1 Open the top cover.
- 2 Insert the nozzle of the Air Duster into the hole of the sensor cover and paper feed inlet, and spray briefly.

Note

- Use a non-flammable type. Read the instructions on use carefully, and be sure to observe them.
- The Air Duster gas will cool the sensor and metallic parts, causing temporary condensation. After cleaning, leave for about five minutes before use.



- 3 Close the top cover.

21-5. Cleaning the Paper Ejection Outlet Sensor

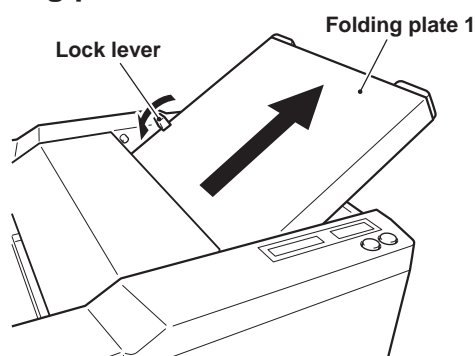
The paper ejection outlet of this unit has a sensor for checking the paper ejection state. This sensor may fail with the error message "JAM EXIT" when printing powder and paper dust accumulate on it.

When this message appears, clean the sensor with an Air Duster (a commercially available air spray for eliminating dust for office equipment) as well as a paintbrush, etc.

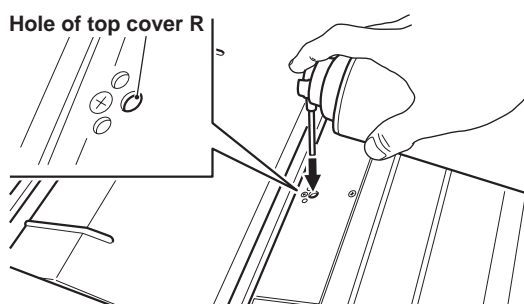
This sensor consists of two sensors located at the top and bottom of the paper ejection outlet. First clean the upper sensor and then the lower sensor.

◆ Cleaning the upper sensor

- 1 Disconnect control cord 1 of folding plate 1 from the No.1 connector, release the lock lever, and then remove folding plate 1.



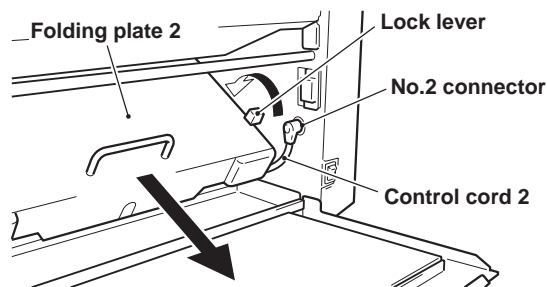
- 2 Insert the nozzle of the Air Duster into the hole of the top cover R shown in the figure, and spray briefly.



- 3 Set folding plate 1 back to the original position.
- 4 Push the lock lever towards "LOCK", and insert control cord 1 into the No.1 connector.

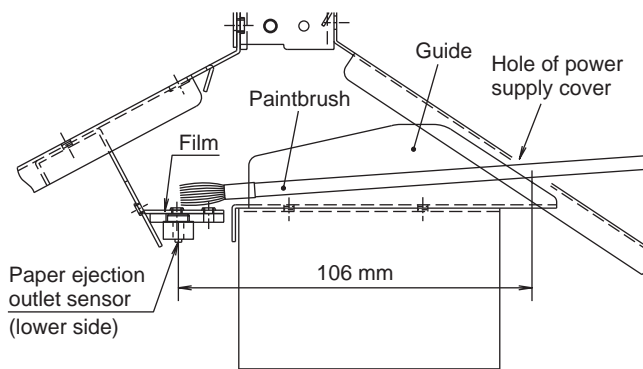
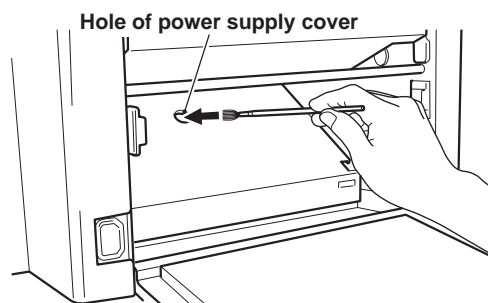
◆ Cleaning the lower sensor

- 1 Open the side cover.
- 2 Disconnect control cord 2 of folding plate 2 from the No.2 connector, release the lock lever, and then remove folding plate 2.



- 3 Insert the paintbrush straight in from the hole of the power supply cover along the guide, and gently clean the top of the sensor with the brush.

Note Do not rub the top of the sensor with the metal portion of the paintbrush, as this may damage the film protecting the sensor, causing sensor problems.



- 4 Set folding plate 2 back to the original position.
- 5 Push the lock lever towards "LOCK", and insert control cord 2 into the No.2 connector.
- 6 Close the side cover.

22. SPECIFICATIONS

Model		DF-920
Paper size	Max.	297 (W) × 432 (L) mm (Along paper feed direction) * Maximum paper width: A3
	Min.	128 (W) × 182 (L) mm (Along paper feed direction) * Minimum paper size: B6 However B7 and A6 paper can be folded under certain conditions.
Paper quality		Fine quality paper, recycled paper, drawing paper, specific art paper, specific coated paper
Folding mode		Single fold, double fold, irregular accordion fold, letter fold, accordion fold, brochure fold, specific cross fold (52.3 to 104.7 g/m ² paper), other non-standard fold
Paper weight		52.3 to 157 g/m ² * However A3 paper can be up to 157 g/m ² thick for single folding only. For other folding modes, thickness can be up to 127 g/m ² . 157 g/m ² thick paper below B6 size cannot be double folded or irregular accordion folded.
Paper feed tray capacity		500 sheets (fine quality paper 64 g/m ²)
Maximum processing speed		200 sheets/minute Condition: When 64 g/m ² B4 size fine quality paper is single folded
Paper feed method		3-ring friction feed with skew correction function
Paper feed tray control function		Paper presence detection, automatic rise/descent (manual raising/lowering also possible)
Paper size detection function		Automatic detection of following standard paper sizes: A3, B4, A4, B5, A5, and B6 (fed by short edge feeding)
Paper feed error detection function		Mis-feed, continuous-feed, paper jam
Counter		4-digit, selection of add or subtract count method
Other detection functions		Opening/closing of top cover, side cover, and paper ejection section cover With/without folding plates 1, 2
Additional functions		Folding stopper position adjustment registration (36 ways), custom folding registration (2 ways) Interval, Refold, Folding stopper fixed
Energy saving functions		LCD backlight automatic OFF, Power still ON alert
Power supply		100 to 240 V AC 50/60 Hz
Current consumption		1.4 to 0.7 A (95 W)
Dimensions	In use	1,086 (W) × 524 (D) × 497 (H) mm
	In storage	658 (W) × 524 (D) × 497 (H) mm
Mass (Weight)		43.5 kg

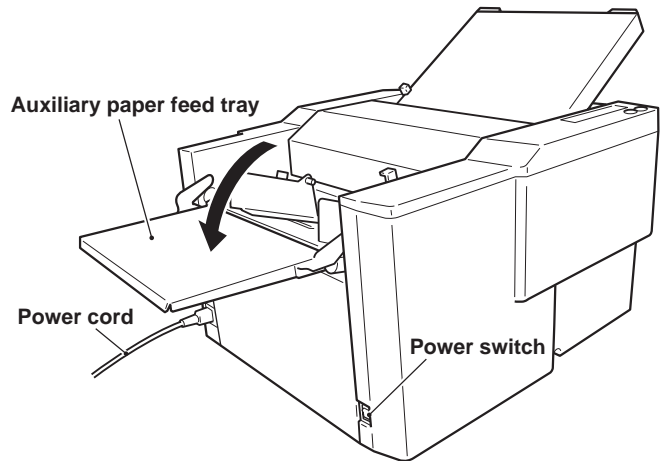
Specifications and dimensions are subject to change without prior notice for improvements.

QUICK START

Operation Procedure

1 Prepare the unit.

- ① Open the auxiliary paper feed tray.
- ② Open the paper receiving tray.
- ③ Extend the paper receiving stopper.

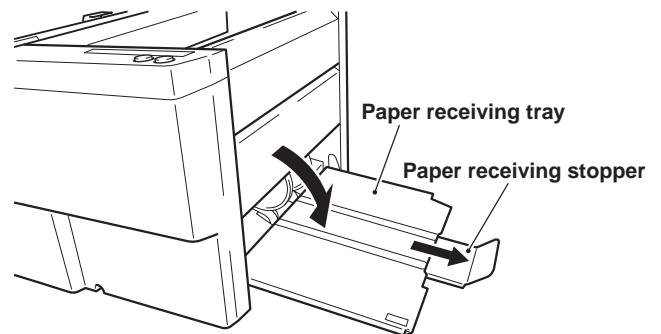


2 Turn on the power switch.

- Insert the plug of the power cord into the outlet, and turn on the power switch.

3 Stack paper.

- ① Stack paper on the paper feed tray.
 - ② Move the paper feed guides according to the paper width, and tighten the fixing screws.
- ❑ Adjust the paper feed guides to the corresponding paper size on the paper feed tray scale. If not adjusted to the appropriate scale, the paper size will not be detected accurately and this unit will not operate.

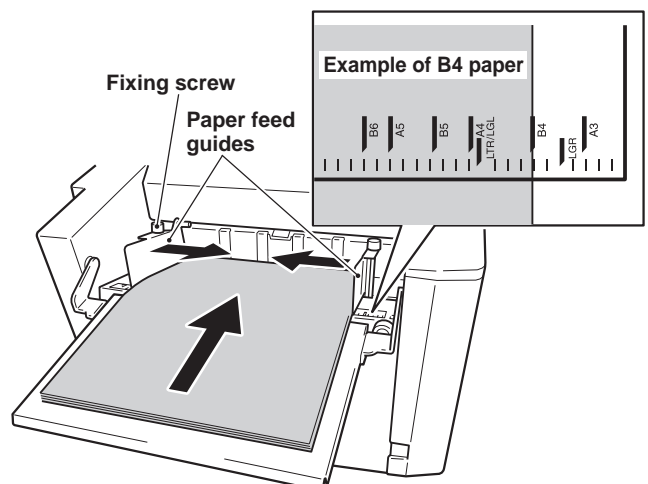


4 Perform test folding.

- ① Select the folding mode with the folding mode key.
 - ② Press the test key to perform test folding, and check the finish.
- ❑ When the test key is pressed, the paper feed tray rises automatically and paper feed starts.

5 Start paper folding operations.

- Press the start key. Paper folding continues until the paper feed tray becomes empty. If the number of sheets to be processed was entered using the numerical keys prior to starting, the unit stops upon completing folding of this number of sheets.
- ❑ To stop halfway, press the stop key.



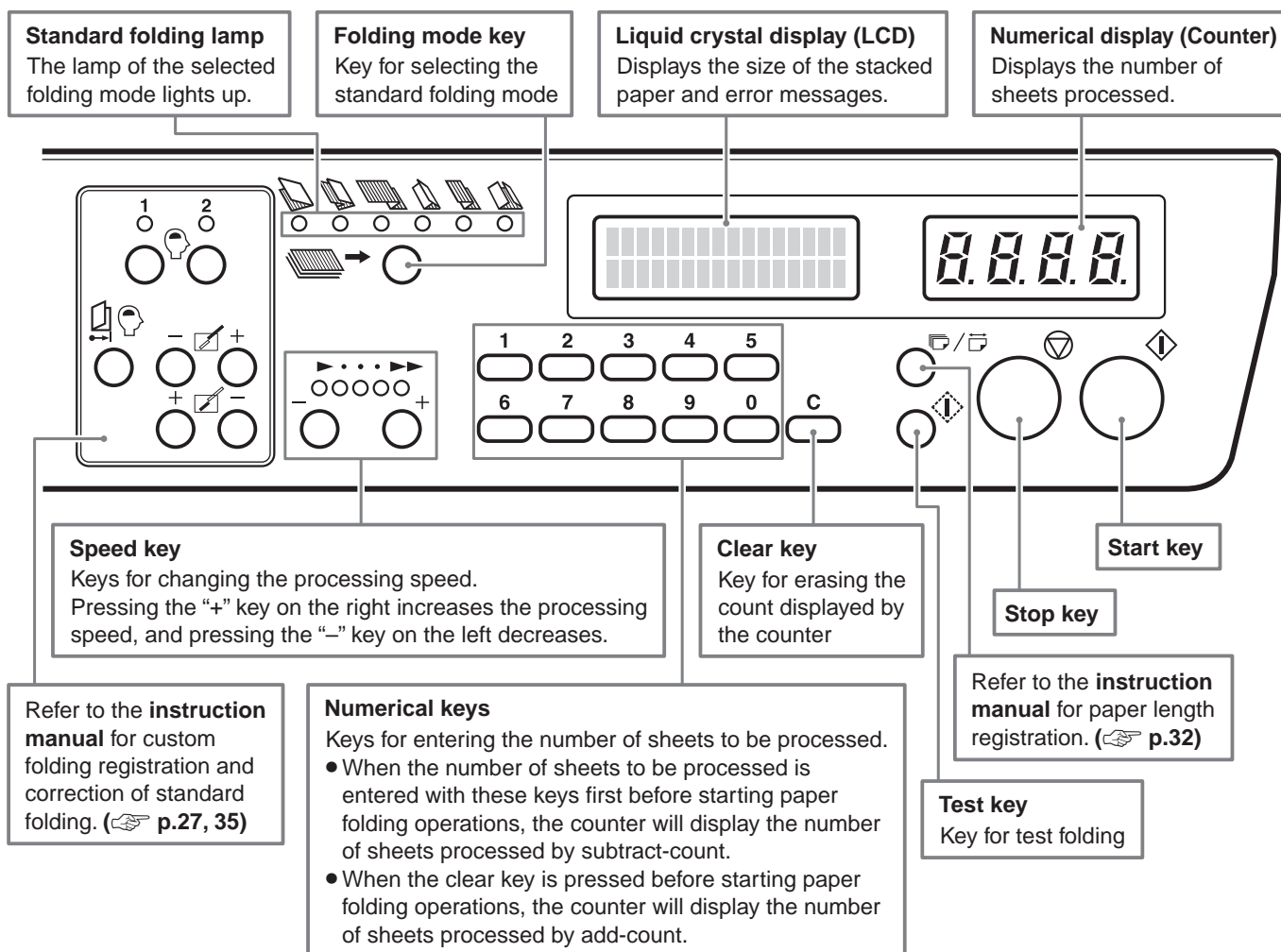
6 End paper folding operations.

- ① Turn off the power switch.
 - ② Store the auxiliary paper feed tray, paper receiving stopper, and paper receiving tray.
- ❑ If not using the unit for a long time, disconnect the power cord from the outlet.

Note This QUICK START is intended for outlining the main steps of the paper folding procedure to those who have read the instruction manual once. Those who have not read the instruction manual should perform paper folding operations while referring to the instruction manual.

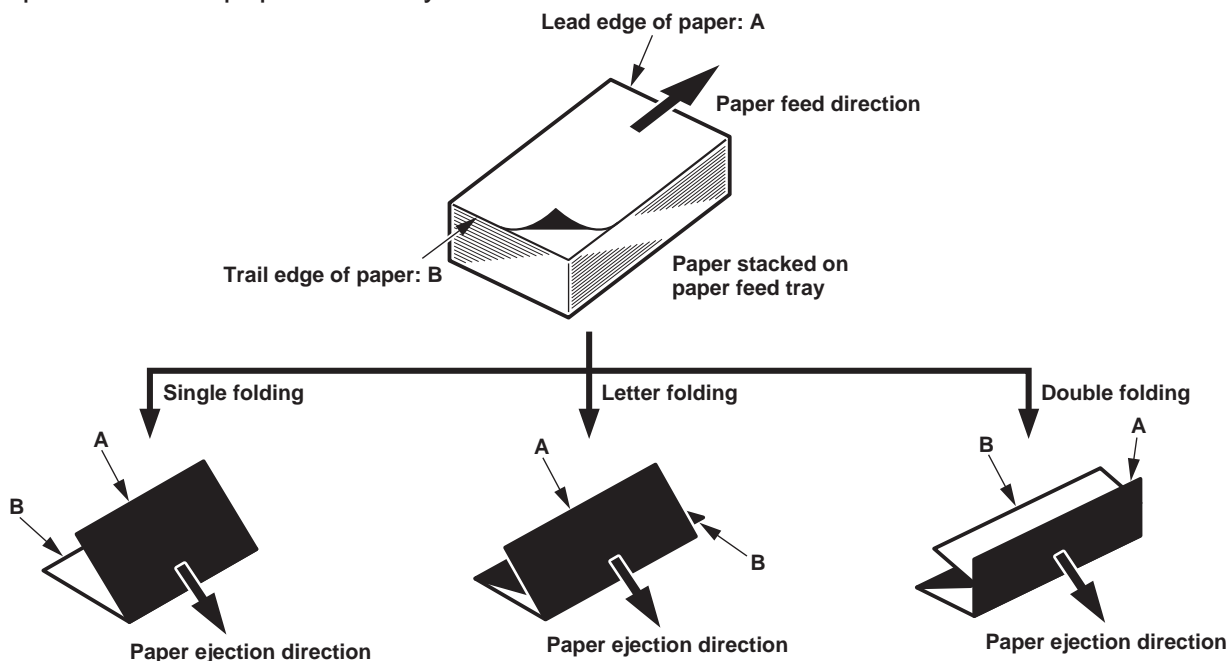
Duplo Paper Folder DF-920

Control Panel



Front/Back, Top/End of Paper in Stacking and Ejection

The front, back, top, and end of the paper folded by a folding mode differ according to how the paper is placed on the paper feed tray.



DUPLO CORPORATION

Duplo building, 1-6, Oyama 4 chome, Sagamiara, Kanagawa 229-1180, Japan

TEL : +81-42-775-3602

FAX : +81-42-775-3606

E-mail : info@duplo.com