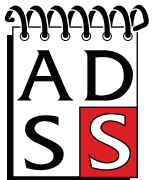
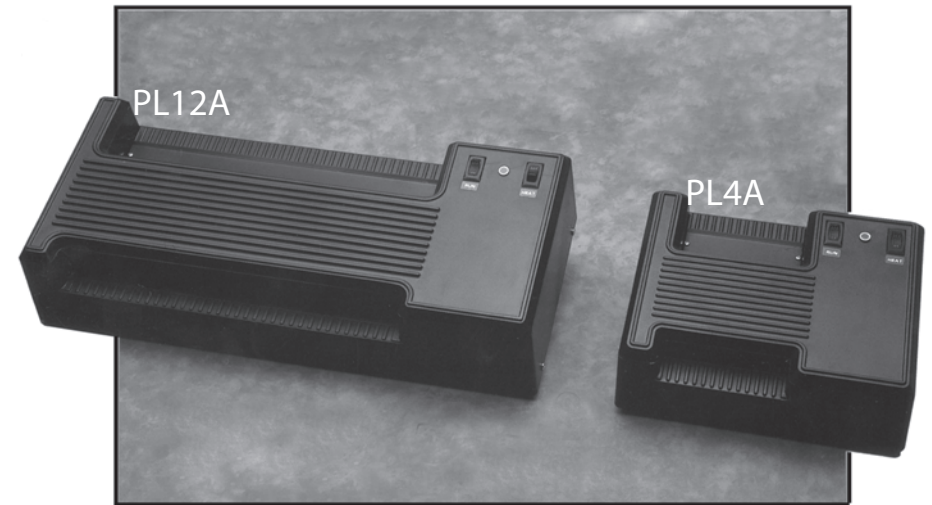


# PL12A / PL4A

120V POUCH LAMINATING MACHINE



Advanced Document Systems & Supply, Inc.  
PHONE: 800-808-2377 · FAX: 888-237-7329  
[www.adss.net](http://www.adss.net)

**INSTRUCTION MANUAL**

## INTRODUCTION

Congratulations on your purchase of our pouch laminator. This laminator is designed to provide to provide quality lamination of all thickness of plastic.

The model PL4A will easily laminate items up to 3 3/4" wide such as ID cards, badges, membership cards, photographs, and luggage tags. The PL12A is designed for cards as well as larger items up to 12" wide. A thermostat allows you to adjust the temperature for laminating various materials.

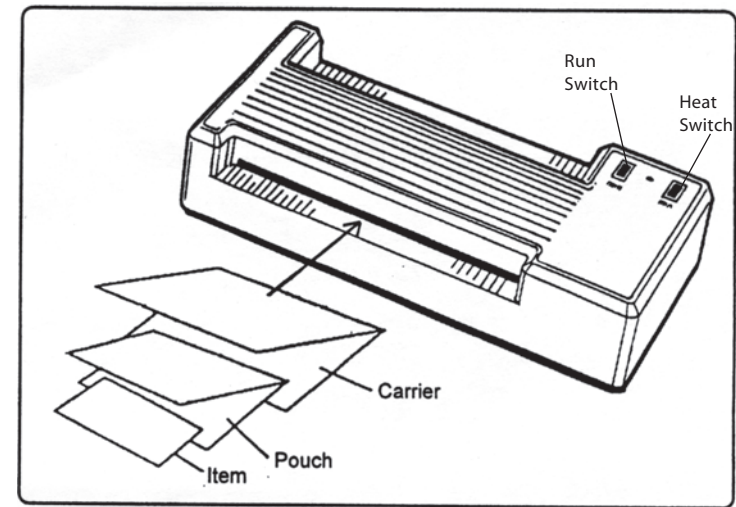
## OPERATION

Before using your laminator, be sure to observe the following precaution:

- To prevent electric shock, do not operate the unit near a sink or other water source.
- Do not immerse the laminator, its cord, or plug in water.
- Do not use the laminator if the power cord is damaged.
- Do not allow the cord to touch hot surfaces or hang over the edge of a cabinet or shelf.
- In case of malfunction, return the unit to your dealer for service.  
The laminator does not contain any customer serviceable parts.

### To use your pouch laminator follow these steps:

1. Place the unit on a table and plug the power cord into a grounded 120VAC outlet
2. Press the HEAT switch to the ON position (the switch will illuminate)  
The green indicator light will come on when the laminator is up to temperature and ready to laminate.
3. Press the RUN switch to the ON position (the switch will illuminate).
4. Insert the item to be laminated into a laminating pouch. Next, place the pouch into the paper laminating carrier.
5. Slowly feed the carrier, folded end first, into the laminator until it is picked up by the rollers.
6. Remove the carrier, folded end first, into the laminator until it is picked up by the rollers.
7. Turn the RUN and HEAT switches OFF at the end of the day.



## TEMPERATURE ADJUSTMENT

Your pouch laminator temperature has been factory set to provide high quality lamination under normal conditions. If you use a heavier paper or use a different laminating film, the temperature may be adjusted by turning the temperature control knob on the bottom of the unit.

### To increase the temperature:

1. Turn the temperature control knob clockwise one division. Wait until the indicator light comes on before laminating.
2. Repeat step 1 until the laminator produces the desired results.

### To decrease the temperature:

1. Turn the temperature control knob counter-clockwise to reduce the temperature. The green indicator light will remain on. Wait several minutes before laminating.
2. Repeat step 1 until the laminator produces the desired results.

If the pouch does not seal or the lamination is cloudy, the temperature is too low. If the lamination contains bubbles or wrinkles the temperature is too high.

Specifications	PL4A	PL12A
Dimensions	8" x 10" x 3-3/4"	8-1/2" x 19" x 4-1/8"
Weight	7-3/4 lbs.	15-1/2" lbs.
Power	120VAC, 50/60HZ	120VAC, 50/60HZ
Capacity	3-3/4"	12-1/4"
Max. Material Thickness	1/16"	1/16"
Film Thickness	1.5 mil up to 10 mil	1.5 mil up to 10 mil