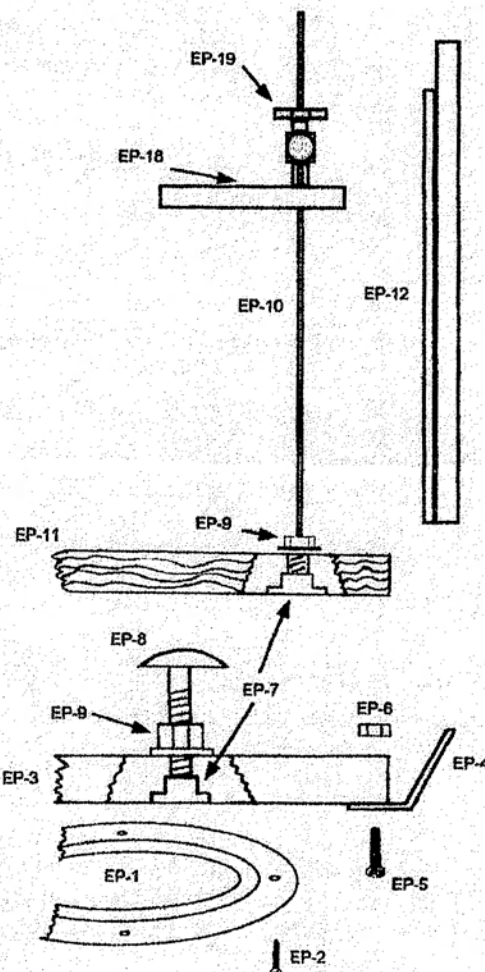


EconoPad Paper Padder

Instruction Manual

Part #	Description	Quantity
EP-1	- Carousel	1
EP-2	- Tapping Screw	4
EP-3	- Base Board	1
EP-4	- Base Board Bracket	2
EP-5	- Machine Screw	4
EP-6	- Hex Nut	4
EP-7	- Tee Nut	4
EP-8	- Carriage Bolt	2
EP-9	- Flange Nut	4
EP-10	- 5/16" Rod	2
EP-11	- Padding Board	1
EP-12	- Back Board	1
EP-18	- Top Board	1
EP-19	- Pressure Clamp	2



Advanced Document Systems & Supply, Inc.

PHONE: 800-808-2377 • FAX: 888-237-7329

www.adss.net

ASSEMBLY:

Place **base board assembly (7)** on table with "Lazy Susan" swivel facing down.

To assemble **padding board**, see Figure B. Place flange nut (3) on rod (1) as shown. Screw rod into padding board (2) until tight. Tighten flange nut (3) against board to lock rod in place. Repeat for other rod.

Screw clamp assemblies into t-nuts on **top board (6)**. (See Figure C). Slide this top board assembly over the two rods, guiding the rods through hole in the top board AND the clamps. Tighten side knobs to hold top board assembly in the desired position.

Place padding board assembly (parts 1, 2, 3 & 6) on top of the base board assembly (7) with the two recessed areas on the bottom of the padding board resting on the two carriage bolts which are sticking up from the base assembly.

Slide **back board (4)** into brackets (5) with wooden guide rails to front.

PADDING:

While facing the padding press, jog paper to the back board using the side guides to keep stack of paper straight.

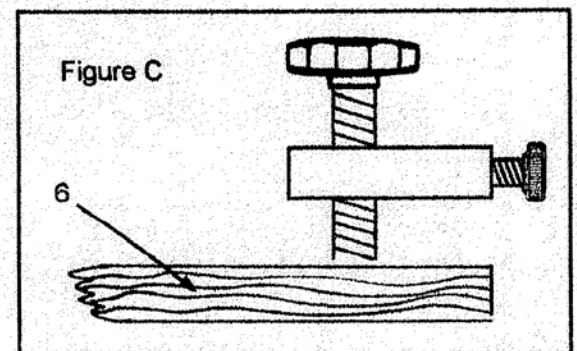
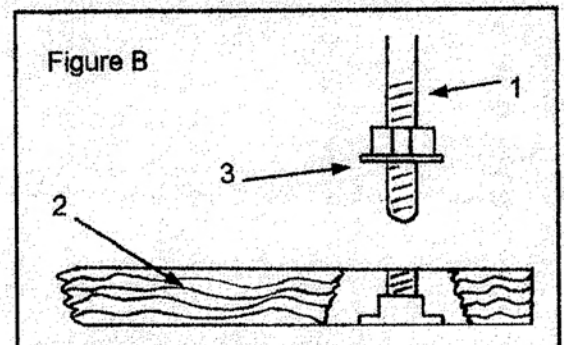
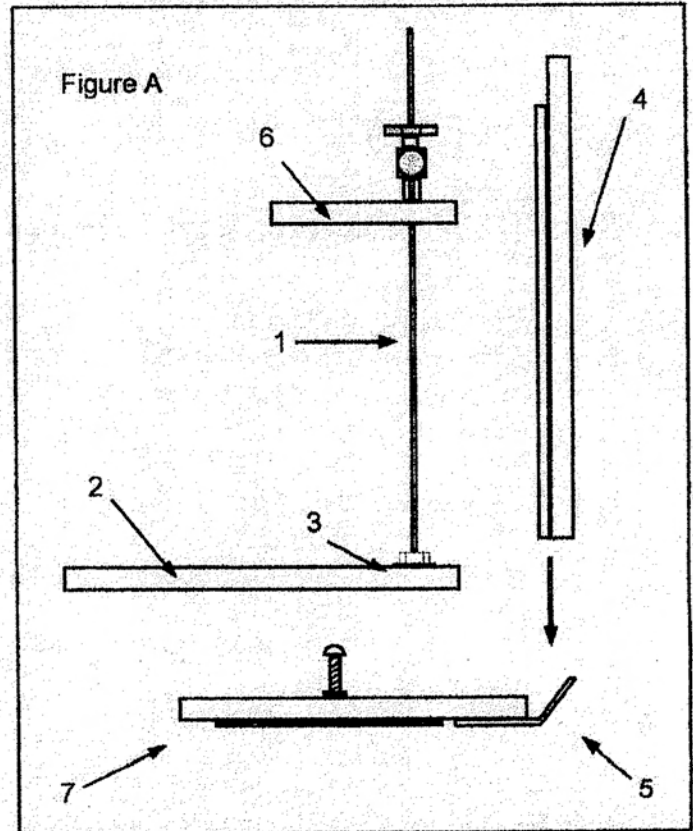
Lower **top board/clamp assy. (6)** on top of paper.

Tighten the two end screws to hold pressure bar in place. Tighten the two pressure screws until snug. Do not over tighten as too much pressure will bend the pressure plate and not allow the adhesive to bond with the paper.

Swivel pad press around so that back board is toward you. Remove back board to expose area to be padded. Push paper away from you until entire padding board and paper "rocks" backward and the padding surface tips upward for easy padding.

With pad brush, apply padding adhesive working from the center to the outside edges. Do not "overload" adhesive; a thin coat is usually sufficient. Two thin coats is better than one heavy coat. If padding adhesive has thickened, thin with water.

See your dealer for genuine General Graphic Padding Adhesive, Pad Knives, Pad Brushes and Pad Counters.



Advanced Document Systems & Supply, Inc.
PHONE: 800-808-2377 • FAX: 888-237-7329
www.adss.net